

MODEL # CT041 / Ball Pit Playhouse

Tent= 48" x 48" x 38"

MODEL # CT045 / Lady Bug Playhouse

Tent= 48" x 48" x 38"



Ball Pit Playhouse

CT041



Lady Bug Playhouse

CT045



<u>DESCRIPTION</u>	<u>QTY.</u>
<u>DOME TENT</u>	
100% Polyester	1 ____
<u>POLES</u>	
Fiberglass Pole; Black	2 ____
<u>STAKES</u>	
Metal	4 ____
<u>CARRY POUCH</u>	
100% Polyester	1 ____
<u>BALLS</u>	
PVC	12 ____

ASSEMBLY INSTRUCTIONS

STEP 1:

Confirm product contents by emptying contents of bag(s) and confirming all parts are included and undamaged.

STEP 2:

Select a smooth level site and spread out your tent.

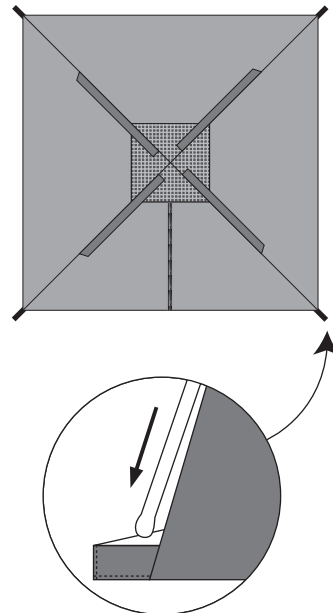
STEP 3:

Extend poles and place in position ready for installation. Take a tent pole and push it through a pole sleeve located at the top of tent. Repeat process with the remaining tent pole. Poles will cross each other at the center.

STEP 4:

After sliding poles through sleeves, gently flex poles into an arch and insert ends into pole pockets at base of tent.

NOTE: Make sure pole sleeve fabric is evenly distributed along pole and does not catch at pole joints. Undue stress could break pole or tear fabric.



For questions, concerns or replacement parts call Gigatent at our Toll Free Number: 877-836-8701 Monday-Friday 9am-6pm EST or email us at customerservice@gigatent.com

WASHING & CARE INFORMATION

Hand wash using a mild dishwashing soap and soft sponge, then allow the fabric to completely air dry. To prevent mold or mildew do not store wet or damp.

CAUTION:

This product was not designed to be left out in the sunlight for extended periods of time. Prolonged UV exposure will rapidly break down the fabric of this product. UV damage is not covered under our warranty

CAUTION:

Never use any fuel-burning or oxygen-consuming devices, or any devices that produce fumes, including stoves, lanterns, candles, hibachis or heaters in or around your tent. This can result in carbon monoxide poisoning, injury or death

WARNING:
NEVER LEAVE CHILDREN UNATTENDED.
AGES 3 AND UP RECOMMENDED.

WARNING:

Keep all flame and heat away from tent and tent fabric. This tent meets flammability requirements of CPIA -84. THIS TENT IS NOT FIRE PROOF. IF LEFT IN OPEN FLAME THE TENT WILL BURN.

Contents and colors may vary.
Please retain package for future reference.



Manufactured in China for
Gigatent
55 Haul Rd
Wayne, New Jersey 07470
www.gigatent.com
1-877-836-8701

TO VIEW FULL SELECTION OF OUR
PLAY TENT PRODUCT LINE,
GO TO WWW.GIGATENT.COM

STYLE #: CT041

STYLE #: CT045



Manufacturer's Warranty

Warranty covers product to be free from defects in material and workmanship for 14 days after date of purchase.

Warranty does not cover natural breakdown of materials that occur inevitably with extended use (e.g., UV damage, exhausted zippers, defects caused by accident, abuse, alteration, animal attack, storm damage, misuse or improper care).

This product is covered for 14 days from date of purchase. Please check all contents to verify product has no missing or broken parts. Gigatent will mail replacement parts free of charge within the 14 Day Manufacturer's Warranty by calling 1-877-836-8701 or emailing customerservice@gigatent.com. We highly recommend logging on to our website at www.gigatent.com should you need customer service. Any parts in need of replacement after the 14 Day Manufacturer's Warranty can be purchased for a reasonable charge, plus shipping and handling. We require that products accepted for any repair must be properly cleaned according to our care instructions.

WARNING:

This product was not designed to be left out in the sunlight for extended periods of time. Prolonged UV exposure will rapidly break down the fabric of this product. UV damage is not covered under our warranty.

WARNING : NEVER LEAVE CHILDREN UNATTENDED.

AGES 3 AND UP RECOMMENDED.

Play tent for indoor and outdoor use.

Keep all Flame and Heat away from tent and tent fabric.

This tent meets flammability requirements of CPAI-84.

THIS TENT IS NOT FIRE PROOF.

IF LEFT IN OPEN FLAME THE TENT WILL BURN.

CAUTION: Never use any fuel-burning or oxygen- consuming devices, or any devices that produce fumes, including stoves, lanterns, candles, hibachis or heaters in or around your tent. This can result in carbon monoxide poisoning, injury or death.

MADE IN CHINA.