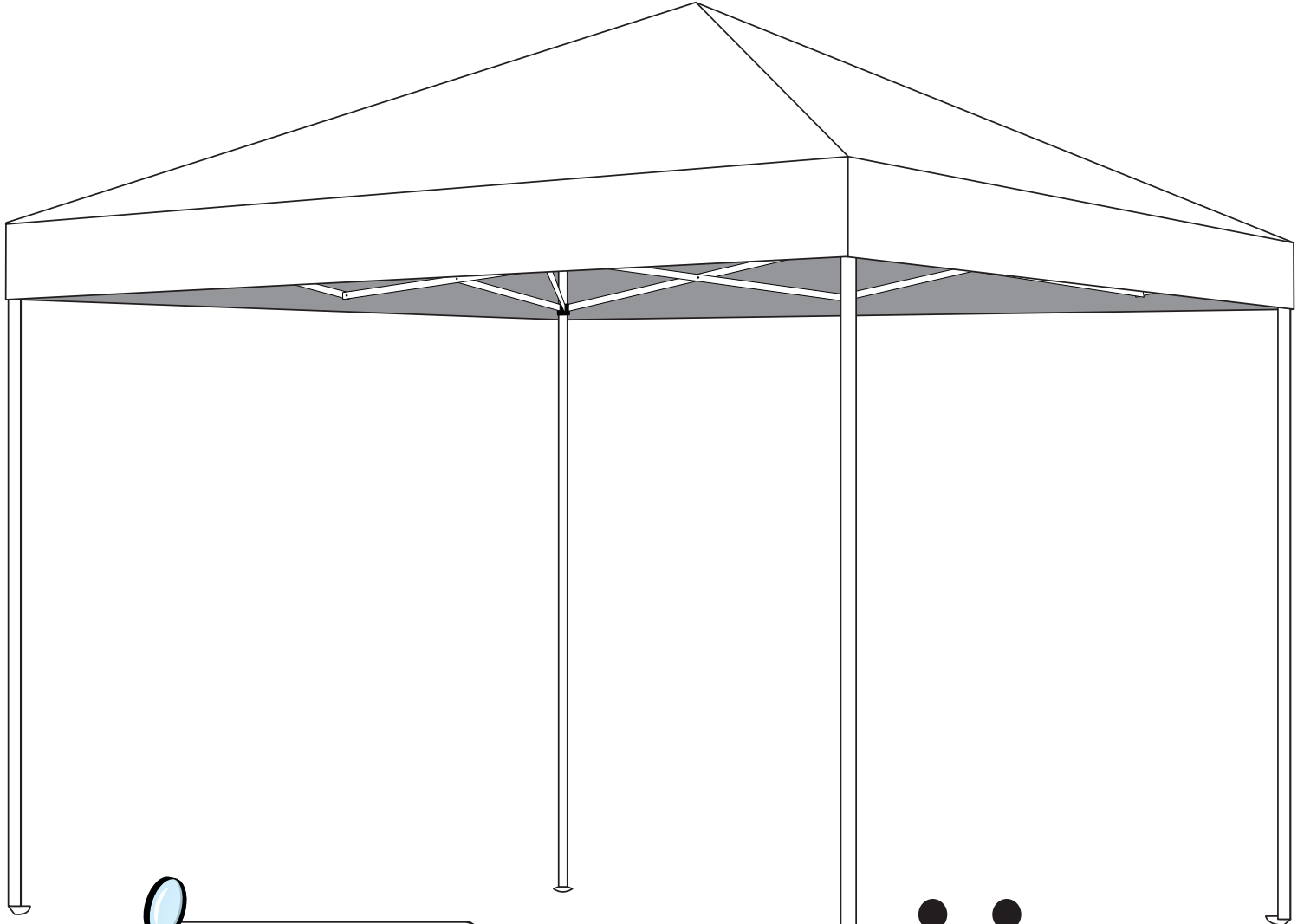


Thank you for choosing Sunnydaze Decor. We stand behind our brand and the quality of the items we sell. Replacement parts or products will be sent at our discretion within the 1-year warranty period. Proof of purchase, with the date of purchase as well as photos of the merchandise defect, must be provided. Photos are used to determine the cause of defects and for future quality control. Register your warranty at <https://tiny.cc/SunnydazeWarranty>. If you have any questions, comments or concerns, feel free to contact us by phone at 833-982-1977, by email: [customerservice@sunnydazedecor.com](mailto:customerservice@sunnydazedecor.com), or via our contact us page at <https://tiny.cc/SunnydazeContact>


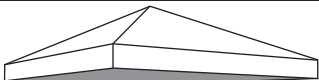
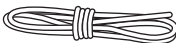

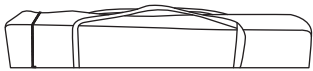
# STANDARD POP-UP CANOPY



Inspect packaging to ensure all parts are accounted for before disposing of packing materials.



**2-PERSON ASSEMBLY**

| No. | PARTS   | QTY. |
|-----|---|------|
| A   |  Canopy Frame  | 1    |
| B   |  Canopy Fabric | 1    |
| C   |  Ropes         | 4    |
| D   |  Ground Stakes | 8    |
| E   |  Carrying Bag  | 1    |

**⚠ WARNING:** Read carefully and understand all ASSEMBLY AND OPERATION INSTRUCTIONS before installing. Failure to follow the safety rules and other basic safety precautions may result in serious personal injury or property damage.

## Intended Use

This Sunnydaze Pop-Up Canopy is ideal for backyard parties, camping, tailgating activities, and more. The canopy is not intended to be used as a permanent or semi-permanent structure. It is designed for short-term use only, and should be taken down and stored when not in use.

## Important Safety & Operation Information

### WARNING

- Read and fully understand all instructions and safety information. Failure to follow all instructions may result in serious injury or property damage.
- The warnings, cautions, and instructions in this manual do not cover all possible conditions or situations that could occur. Use sound judgment and caution when using this canopy. Always be aware of the environment and ensure that the canopy is used in a safe and responsible manner.
- Adult assembly only; do not allow children to assemble this canopy.
- Always check for damaged or worn parts before using the canopy. Broken parts will affect the canopy operation.
- DO NOT use this canopy for any purpose for which it was not intended.
- Do not modify this canopy in any way. Modification may impair the function and/or safety, and could affect the life of the product.
- When canopy is not in use, store it inside, in a secure place, out of the reach of children. Inspect all components to ensure good working condition prior to storing and before re-use.
- Ensure the canopy is properly anchored at all times. This canopy is designed to withstand low to moderate wind only. Do not assemble this canopy where it could encounter high winds; there is a danger of it being carried by the wind, which could cause personal injury and property damage if it becomes untethered.
- **Sunburn Warning!** This canopy only provides limited sun ray protection in the shaded area. Depending on the position of the sun, this may not be directly under the canopy fabric. Be mindful of potential sun exposure from reflective surfaces, which cannot be prevented by this canopy. Ensure all users are aware of the sun's position, wear sunscreen, and actively avoid overexposure to sunlight.

### WARNING

#### INSTALLATION SAFETY

- Select an level surface to setup the canopy; uneven ground may cause damage to the frame.
- Always anchor the canopy to ensure it stays in place. Use additional weights (not included) when necessary.
- Pay close attention to hand placement when setting up and collapsing the canopy frame to prevent hands and fingers from getting pinched.
- Be aware of all power lines, electrical circuits, and other mechanical hazards. Some of these hazards may cause personal injury and/or property damage if contacted.
- Do not use the canopy where there is a risk of a fire or an explosion; e.g., in the presence of flammable liquids, gases, dust, grills, fire pits, etc.

### WARNING

**KEEP ALL FLAME AND HEAT SOURCES AWAY FROM THE CANOPY FABRIC.** The canopy fabric meets the flammability requirements of CPAI-84. The fabric may burn if left in continuous contact with any flame source and/or high-heat appliances. The application of any foreign substance to the tent fabric may render the flame-resistant properties ineffective.

# Canopy Use and Care

- Check for damaged parts before each use. Carefully check that the canopy will perform its intended function. Never operate the canopy with damaged part(s).
- Store the canopy when it is not in use. Store all components in a dry, secure place out of the reach of children. Inspect the unit for good working condition prior to storage and before re-use.
- Only use accessories that are recommended by the manufacturer with this canopy.

## **FABRIC CARE**

### **WASHING CANOPY FABRIC**

Use warm, soapy water and a cloth to scrub the canopy fabric; dish soap works well. Thoroughly rinse all soap residue before air-drying the fabric. A garden hose with a spray nozzle set to the 'flat' setting works great for removing soap; spray from top to bottom in vertical swipes until all of the soap residue is removed. Never use bleach or harsh cleansers.

### **DRYING CANOPY FABRIC**

Hang the canopy fabric to air dry, avoid hanging the fabric over anything with sharp edges that may rip the fabric. Allow air and light to hit as much of the fabric as possible — this will reduce the chance of mold and mildew.

### **FOLDING THE FABRIC**

Folding the canopy along existing creases and folds will help it retain its natural shape and PU coating. Never bunch up the canopy top or force it into storage bags as it will reduce the life and water resistance of the fabric.

## **FRAME CARE**

### **CLEANING THE CANOPY FRAME**

Only wash your canopy frame when it is set up, with legs and sides fully extended. Wipe the frame with a damp cloth. Make sure the frame is completely dry before collapsing and storing it. Residual moisture can cause frames to rust.

*Spraying the frame with water is not recommend as water may collect inside the frame and cause it to rust.*

## **SEVERE WEATHER**

### **WIND**

Do not use this canopy during windy conditions. The design of pop-up canopies make them highly susceptible to uplift. Unsecured canopies may blow over, resulting in personal injury and property damage.

### **RAIN**

Do not let rain pool on the canopy fabric. Pooling water will cause the canopy fabric to stretch, and render the PU coating ineffective. Additionally, the excess weight of pooling water may damage or break the canopy frame.

### **SNOW**

Never let snow build up on your canopy. As with pooling rainwater, excessive amounts of snow will stretch the fabric and potentially damage or break the frame. Never allow water to freeze on any components.

### **LIGHTNING**

Never setup, take down, or seek shelter under this canopy when there is lightning.

## **ACCESSORIES**

### **CANOPY BAG**

Most carrying bags for canopies are not universal. Make sure you have the correct one for your specific model. Measure the canopy with the top off; measure both the frame and the folded canopy top to ensure you have enough space for the entire unit. Contact the manufacturer before ordering canopy bags if you are unsure if your canopy will fit inside the bag.

### **MAKE THE CANOPY STURDIER**

If the canopy is used on a surface that is unsuitable for anchoring using the included ropes and stakes, consider purchasing canopy weight bags (not included).

# ASSEMBLY

## Step 1

### Opening the Canopy Frame

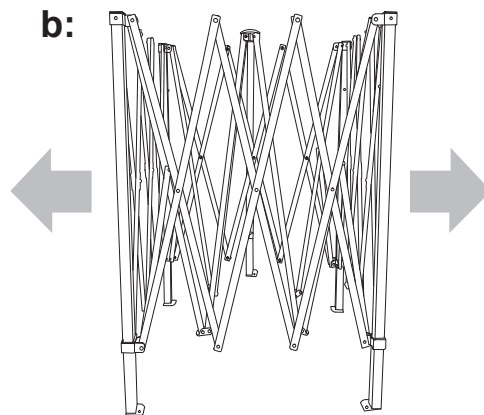
**Note:** At least 2 people are required for this step.

- a:** Stand the frame upright.
- b:** With people at diagonally opposite corners, carefully pull the frame open until you feel slight resistance. Repeat this process on the remaining diagonally opposite corners taking care not to force the frame apart.
- c:** Push up on the frame until the frame sides are expanded as shown.
- d:** On each corner, push the roof locking mechanisms toward the roof corner until they lock; you will hear a 'click' when it has locked into place.

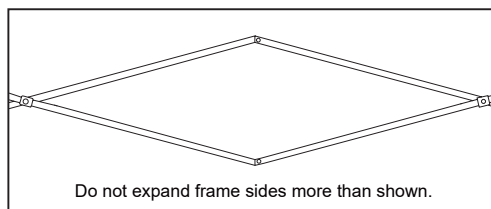
**a:**



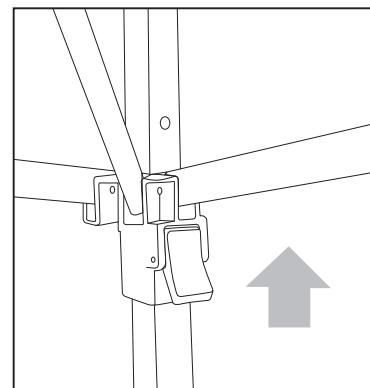
**b:**



**c:**



**d:**



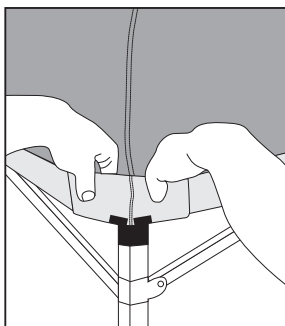
## Step 2

### Attach Canopy Fabric & Extend Canopy Legs

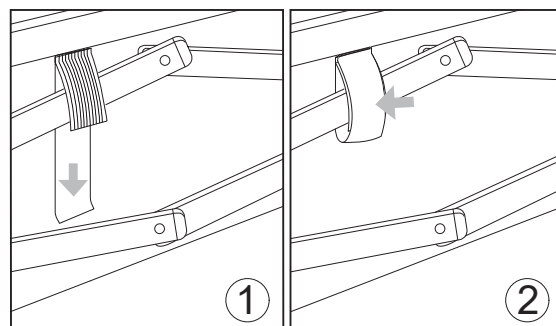
**Note:** At least 2 people are required for this step.

- e:** Lay the canopy fabric on the frame, lining up the corners. Align the hook & loop fasteners on the underside of the canopy fabric with the frame.
- f:** Attach the sewn-on hook and loop fastener strips on the inside of the canopy fabric to the top crossbars of the canopy frame as shown.
- g:** Pull and extend each leg until the locking mechanisms engage. Adjust the height of each leg evenly.

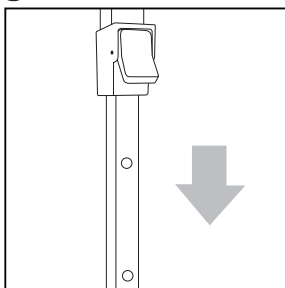
**e:**



**f:**



**g:**



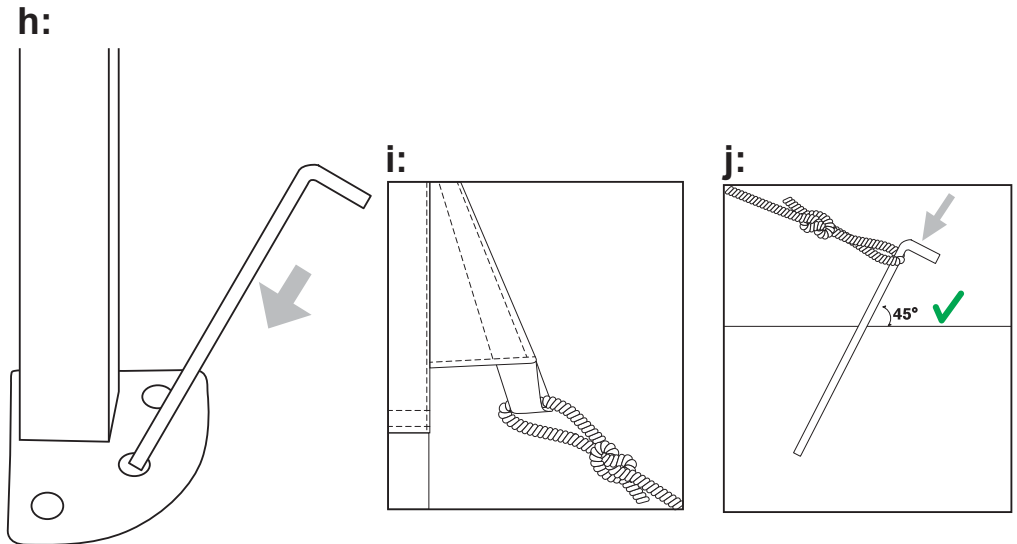
## Step 3

### Anchor the Canopy

- h:** Insert 1 ground stake through each foot of the canopy (4 total).
- i:** Attach one end of each rope to each corner of the canopy.
- j:** Tie the ropes to the stakes and insert the stakes into the ground at a 45° angle.



**Caution:** Do not over tighten the ropes as doing so may damage the fabric seams.



## After Each Use

### REMOVE THE STAKES

- Carefully remove the stakes from the ground and remove excess dirt before storing.
- Remove the ropes and tie them neatly together to prevent them from tangling during storage.

### TAKE DOWN THE CANOPY

- Press the button located in the middle of each leg, and carefully lower each leg making sure all legs are level before lowering the canopy further. Repeat until the frame is at the lowest setting.
- Detach the hook and loop fasteners strips located inside the roofline, and at the corners.
- Remove the canopy fabric and fold it neatly before storing (refer to Fabric Care, page 3). Never store fabric on the frame as it will damage the fabric, frame, or both.
- Release the roof locking mechanisms at each corner of the frame. Ensuring your hands are above the locking mechanism, slowly slide the roofline downward while walking inward until the frame is fully collapsed.

### STORE IN THE CARRYING BAG

To prolong the life of the canopy, store all components inside the included carrying bag.

Place the folded fabric on top of the frame, making sure each part is completely tucked inside the carry bag. To prevent tearing or damage to the fabric, take care when placing it inside the bag; avoid sharp edges of the canopy frame. Store the ropes and stakes in a small bag. Carefully zip the carry bag closed, ensuring the canopy fabric does not get caught in the zipper.

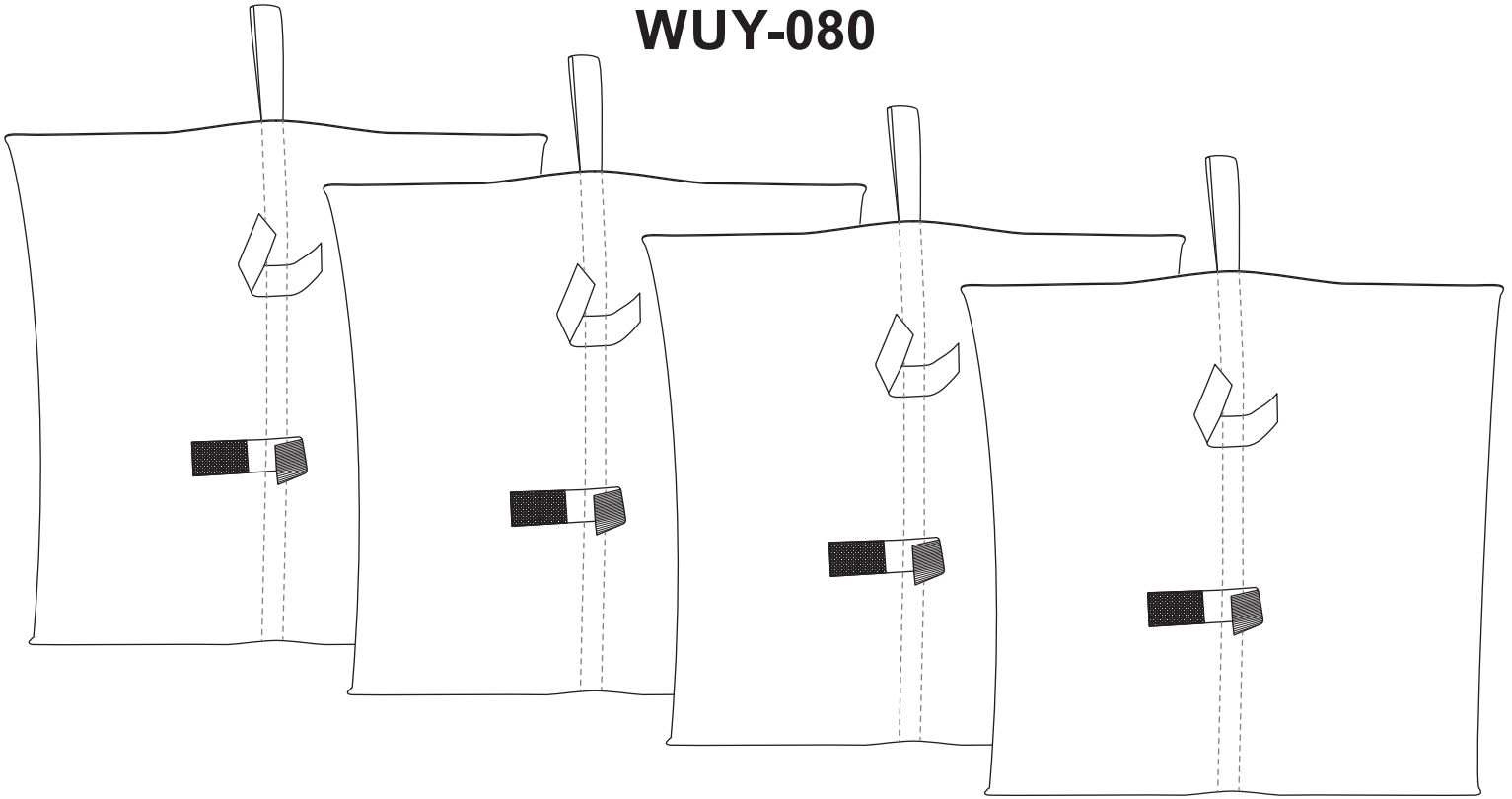
**For more detailed information about intended use, care, safety and warning statements, refer to pages 2 and 3 of this manual.**

## WARNING!

**Manufacturer and seller expressly disclaim any and all liability from personal injury, property damage or loss, whether direct or indirect, or incidental, resulting from the incorrect attachment, improper use, inadequate maintenance, or neglect of this product.**

# CANOPY WEIGHT BAGS

## WUY-080



### ⚠ CAUTION ⚠

1. Please read instructions COMPLETELY before use. If you have questions, please contact us via one of the methods mentioned at the top of page 1.
2. This product is classified as a canopy accessory and is intended to supplement a canopy's original anchoring system. If you know strong weather is predicted, remove the canopy fabric or take the unit down completely. Sunnydaze Decor does not guarantee this accessory will keep a canopy anchored during strong wind conditions.
3. Proper canopy use and anchoring is the RESPONSIBILITY OF THE OWNER. If your canopy is not securely anchored, strong winds can lift it and cause damage if it is blown over and/or away.
4. Sunnydaze Decor cannot be held responsible for damage resulting from improper installation and use. Refer to your original owners manual for proper canopy use and safety.
5. Damages caused by improper installation and weather elements are not considered a defect.

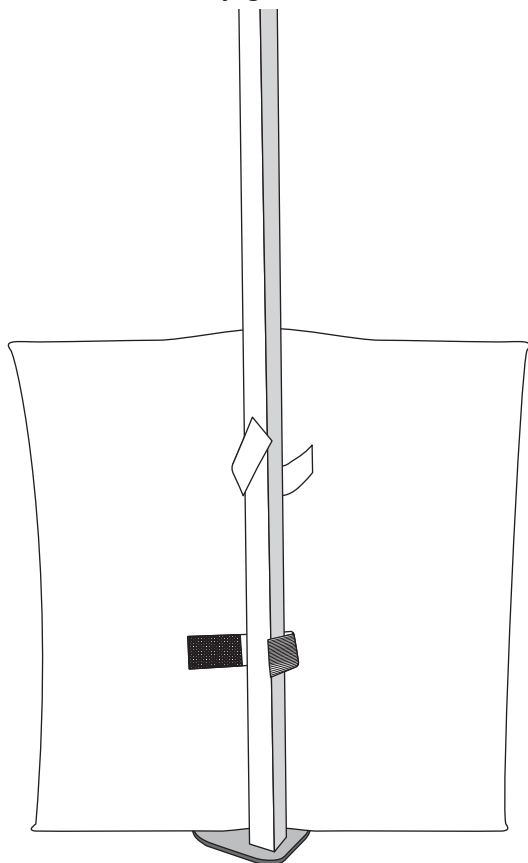
### ⚠ WARNING!

Manufacturer and seller expressly disclaim any and all liability from personal injury, property damage or loss, whether direct or indirect, or incidental, resulting from the incorrect attachment, improper use, inadequate maintenance, or neglect of this product.

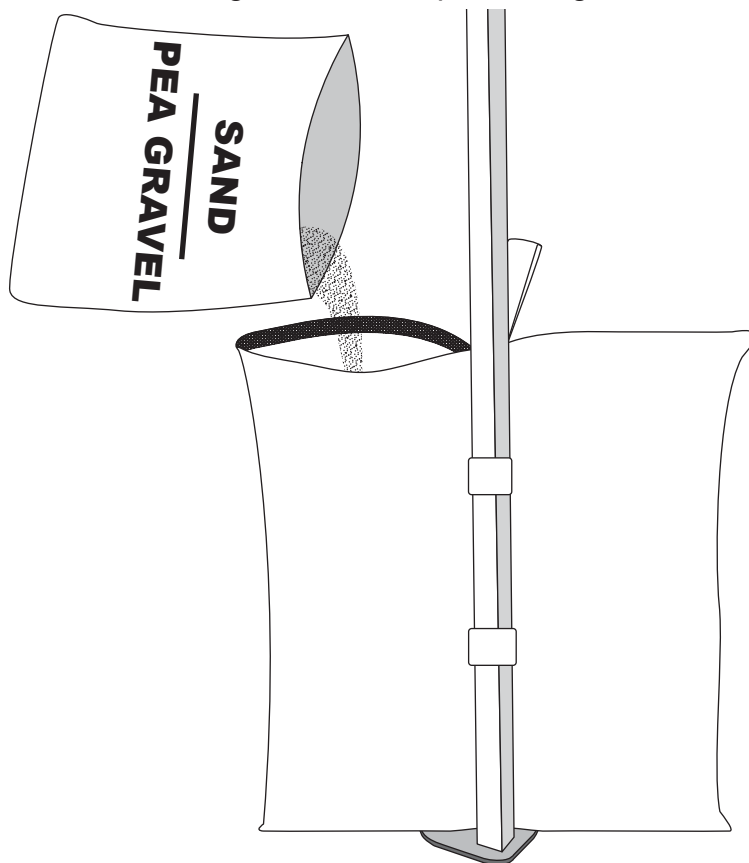
# INSTALLATION

## ! HELPFUL HINT

Put filling material into sealable plastic bags before placing them into the weight bag. This keeps the weight bags clean should they get wet or if the fabric starts to wear. Filling material and plastic bags are not included.



Place the bag on the foot of your canopy. Tightly wrap the hook and loop fastener strips around the canopy leg.



Fill both sides of the bag. Do not overfill. Press the hook and loop fastener strips on top of the bag together to close the bag.

## USE & CARE

**SUN EXPOSURE:** All fabrics will eventually fade and degrade from sun exposure. The less direct sunlight the bags are exposed to, the longer the life of fabric will be.

**STORAGE:** Store indoors, in a dry location during inclement weather and when it will not be used for an extended time. To prevent mold and mildew growth, ensure the bag is completely dry before storing.



HAND WASH ONLY



DO NOT USE BLEACH OR SOLVENTS



DO NOT TUMBLE DRY

**WASHING:** Use warm, soapy water and a cloth to scrub the fabric; dish soap works well. Thoroughly rinse all soap residue before air-drying the fabric. Never use bleach, harsh cleansers or abrasive materials to clean the fabric.

**DRYING:** Hang the bags and allow to thoroughly air dry. Allow air and light to hit as much of the fabric as possible — this will reduce the chance of mold and mildew.

Any modification to the product or failure to follow recommended care will void the product warranty.