

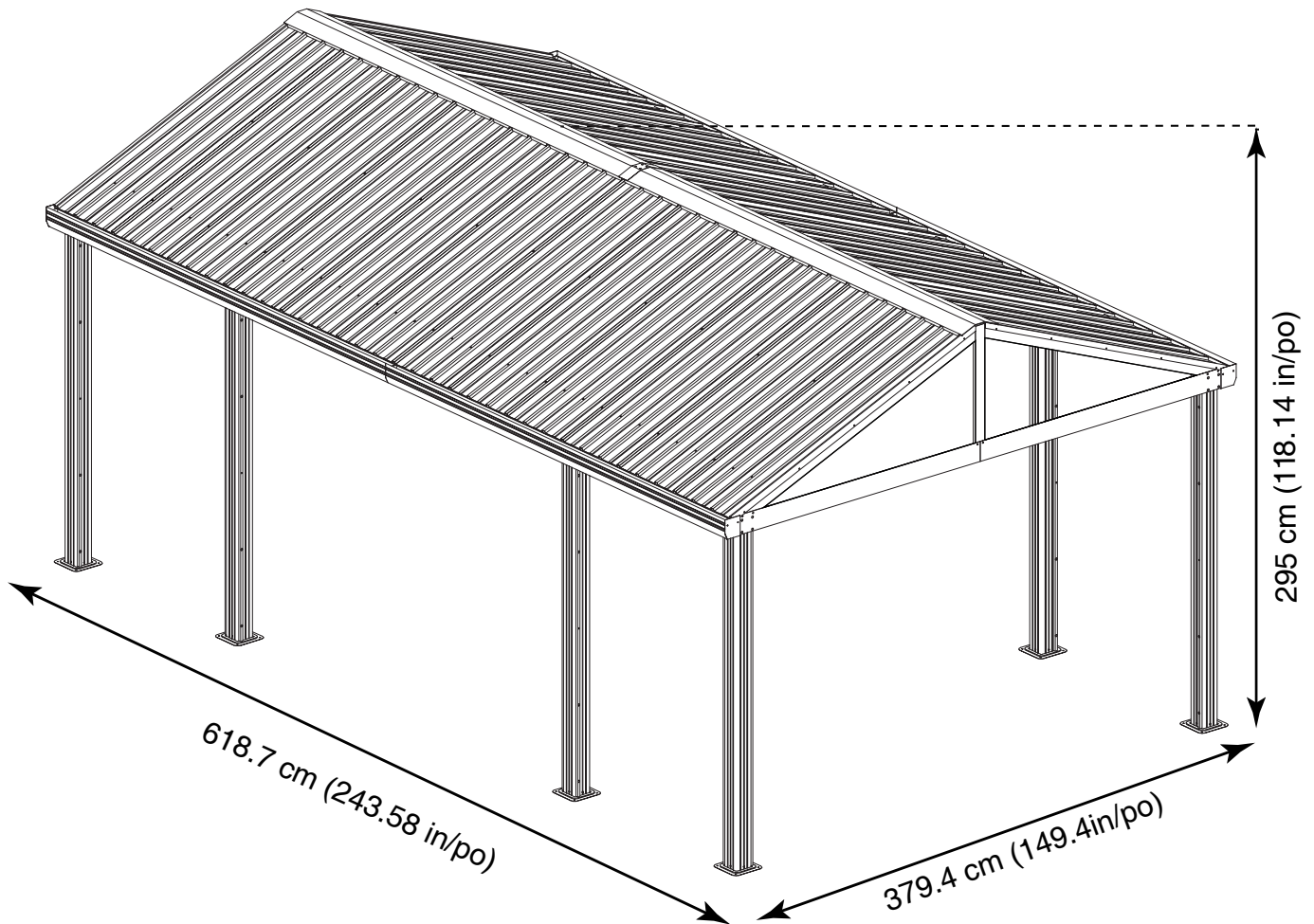
SOJAG

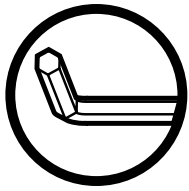
produits saisonniers • seasonal products



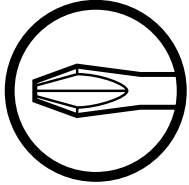
QUESTIONS?: 1-866-901-1649

Assembly Manual / Guide d'assemblage / Manual de ensamblaje / 조립설명서 / Montageanleitung





Use the hex keys in the box. / Utilisez les clés hexagonales fournies dans la boîte. / Utilice las llaves hexagonales en la caja. / 상자에 육각 키를 사용 하십시오. / Verwenden Sie die Sechskantschlüssel in der Box.



Please use a Phillips screwdriver. / Utilisez un tournevis de type Phillips / Por favor, use un destornillador Phillips. / 십자 드라이버를 사용 하십시오. / Bitte verwenden Sie einen Kreuzschraubenzieher.



You may need to use a drill for this step. / Vous pouvez avoir besoin d'utiliser une perceuse pour cette étape. / Puede que tenga que utilizar un taladro para este paso. / 이 단계에선 드릴을 사용해야 할 수도 있습니다. / Für diesen Schritt können Sie einen Bohrer verwenden.



Wearing protective gloves is recommended. / Le port de gants de protection est recommandé / El uso de guantes de protección se recomienda. / 보호 장갑을 착용 하는 것이 좋습니다. / Das Tragen von Schutzhandschuhen wird empfohlen.



Two or more people are required at this stage. / Deux personnes ou plus sont nécessaires à cette étape. / Dos o más personas se requieren en esta etapa. / 이 단계에서는 두 명 이상이 필요합니다. / Für diesen Bauschritt sind 2 oder mehr Personen erforderlich.

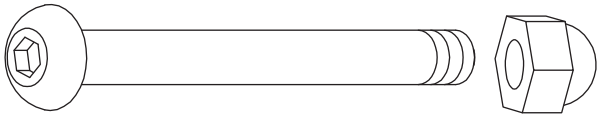


Do not tighten screws all the way for now. / Ne pas visser fermement pour l'instant. / No atornille con firmeza por ahora. / 아직 나사를 단단히 조이지 마십시오. / Bitte die Schrauben zum jetzigen Zeitpunkt noch nicht fest anziehen.

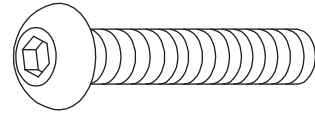


Sold separately. / Vendus séparément. / vendido en las opciones. / 옵션 판매 / Optional erhältlich

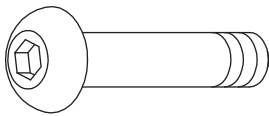
S X 76(+8)



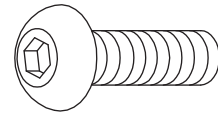
T1 X 8(+2)



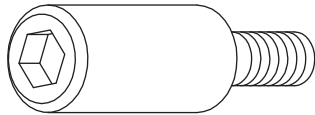
U X 16(+2)



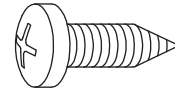
V X 288(+10)



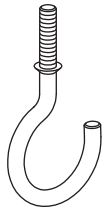
X X 64(+6)



Y X 48(+4)



Wa X 4



W2 X 1



Zs X 1



Zb X 1



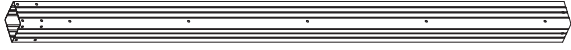
A X4



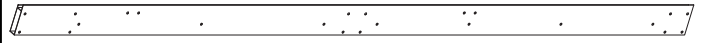
A1 X2



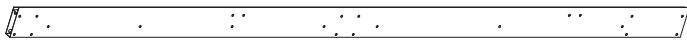
A2 X2



B X2



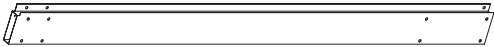
B1 X2



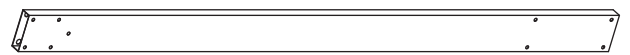
C X2



C1 X2



B2a X2



B2b X2



E X2



E1 X2



E2 X2



E3 X2



F X8



G X2

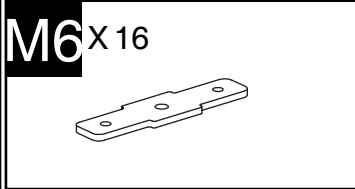
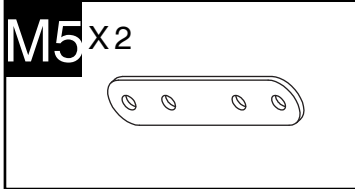
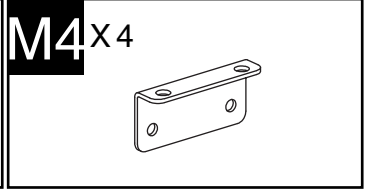
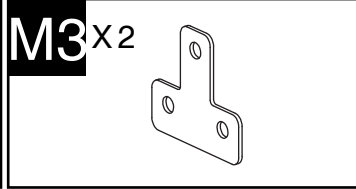
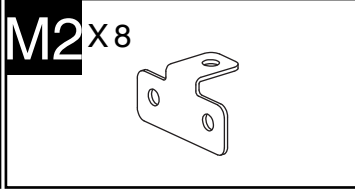
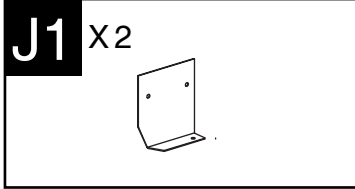
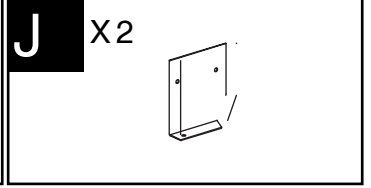
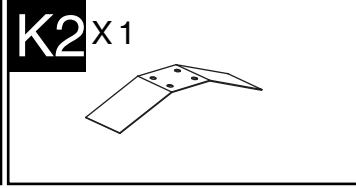
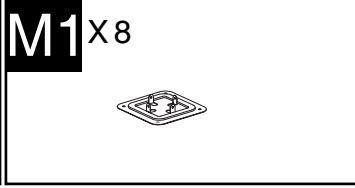
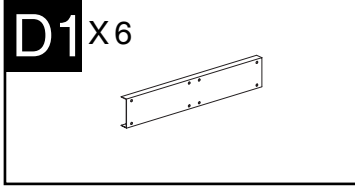
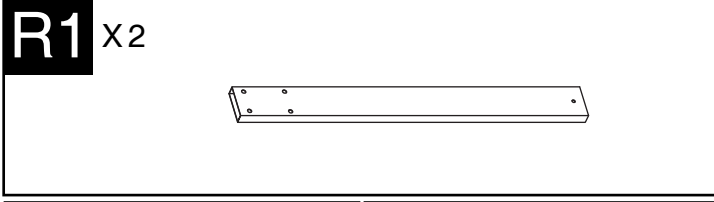
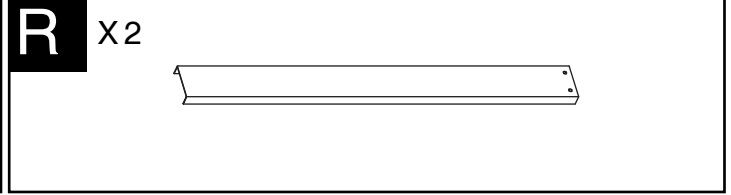
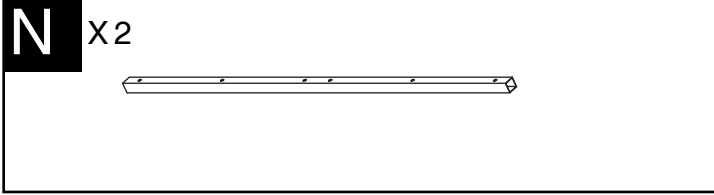
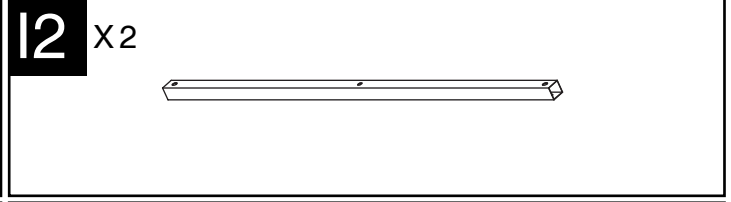
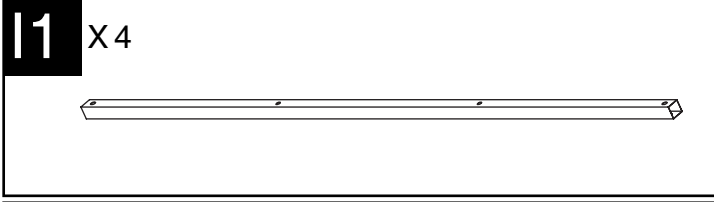
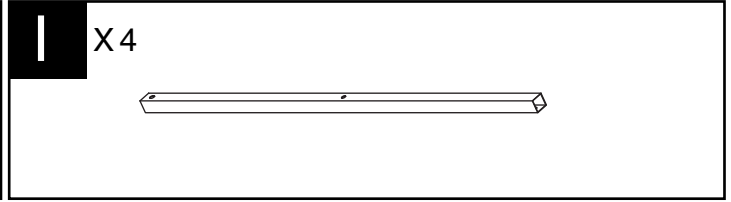
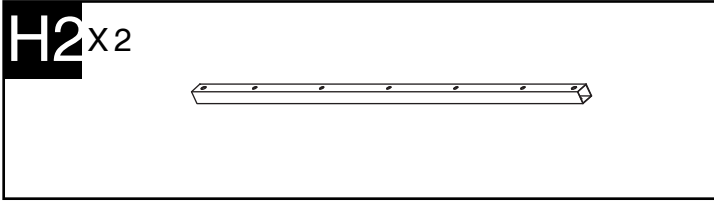
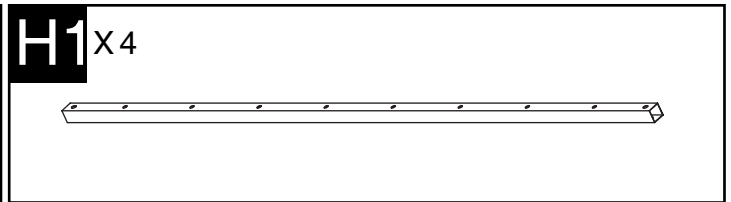
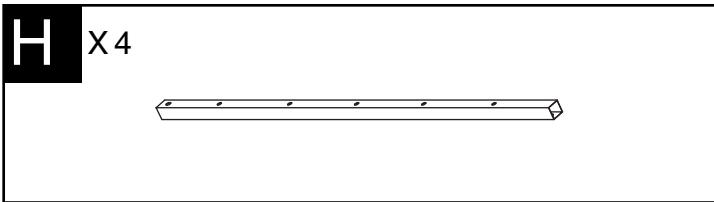


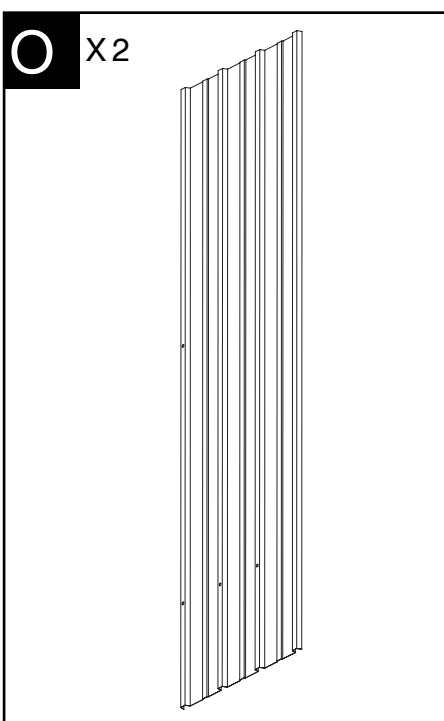
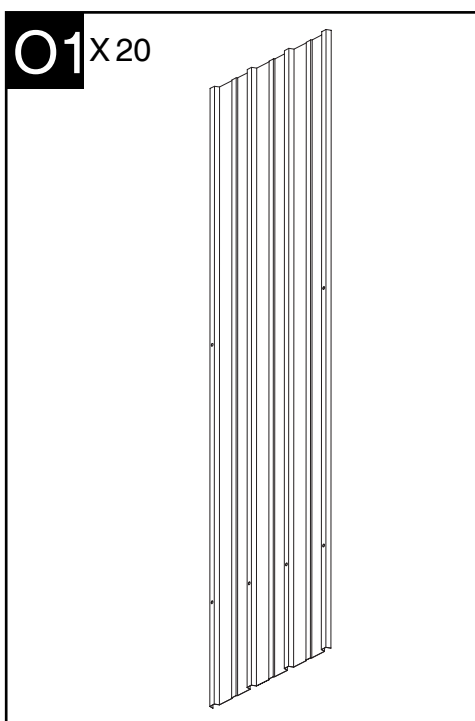
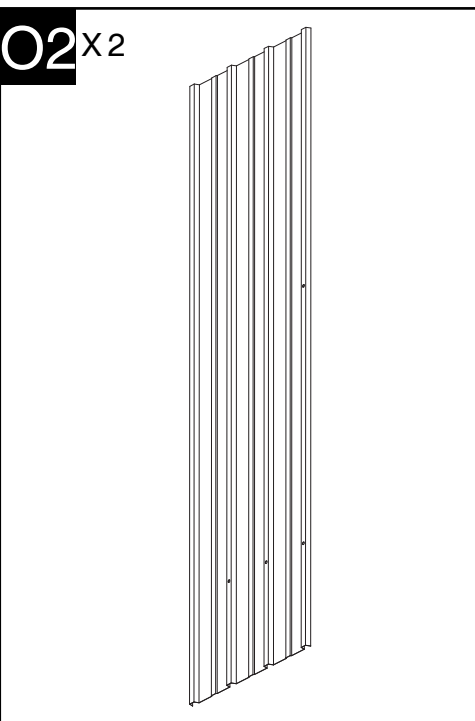
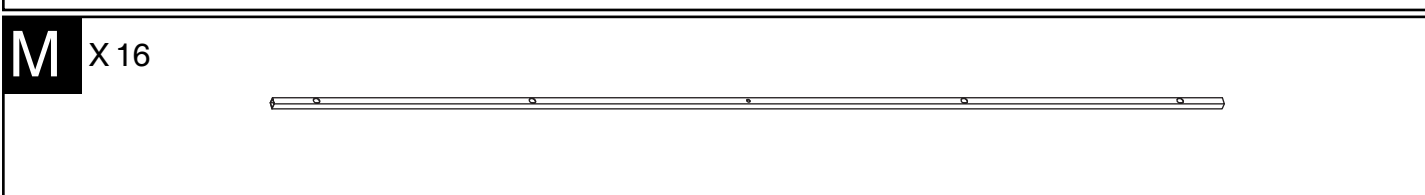
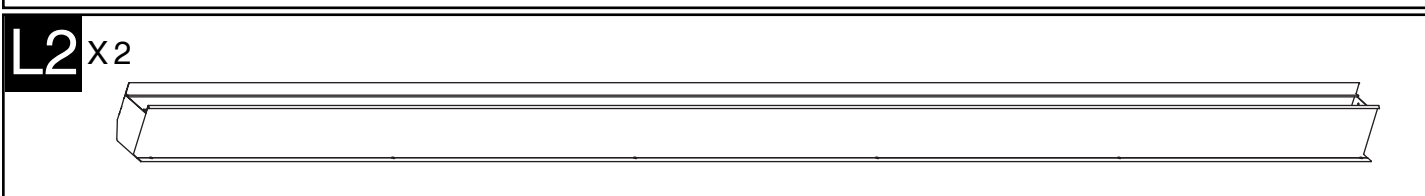
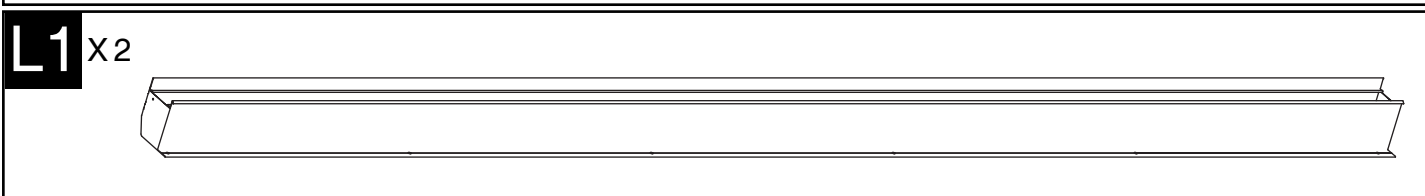
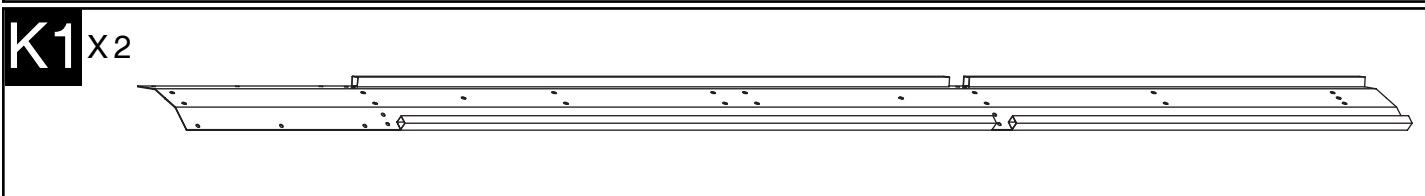
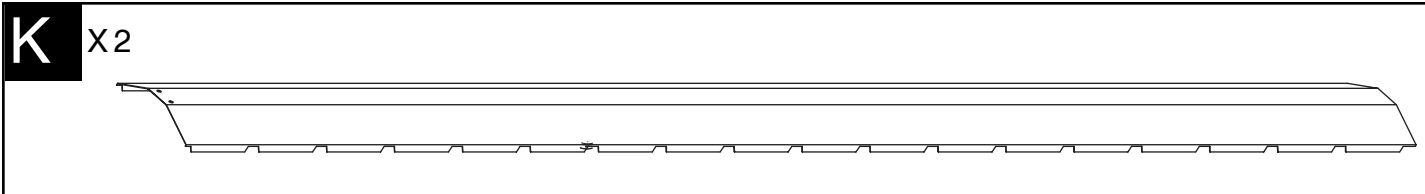
G1 X4

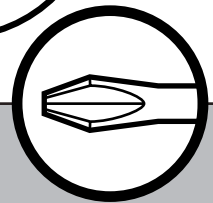
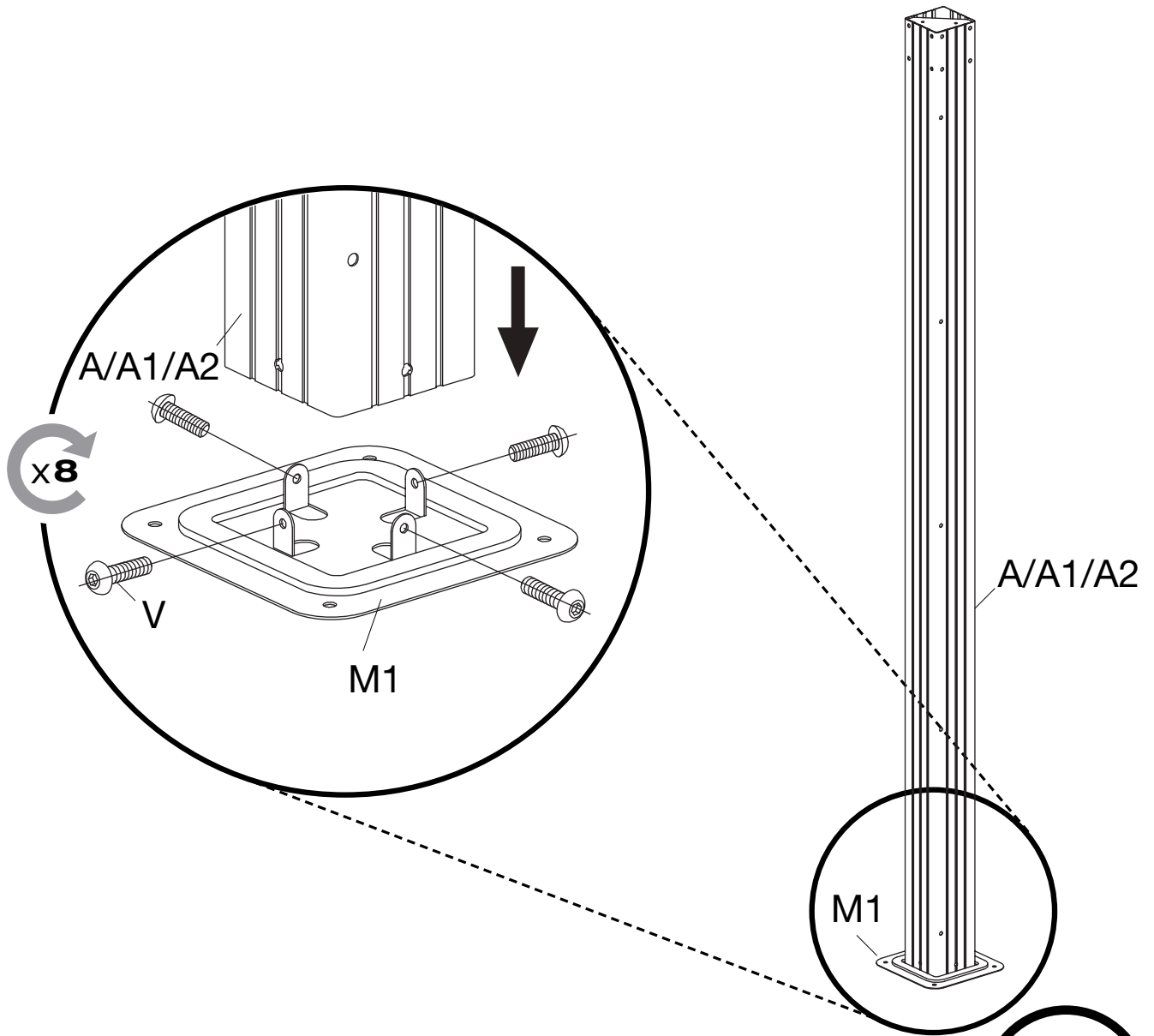


F1 X4

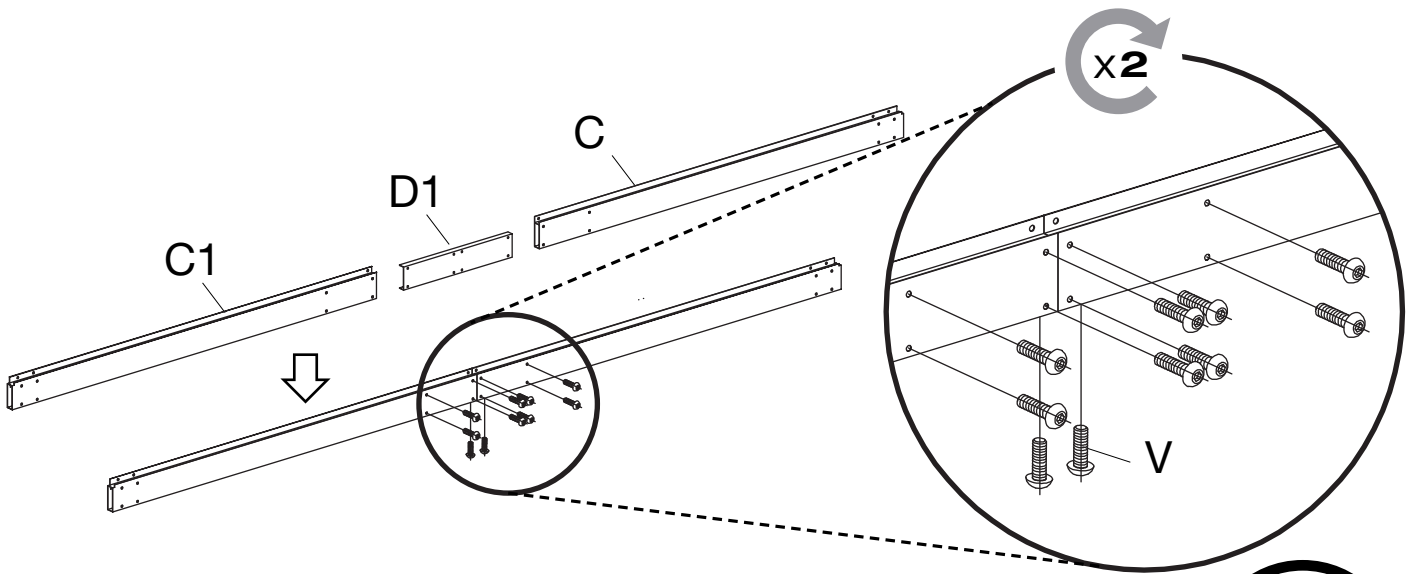
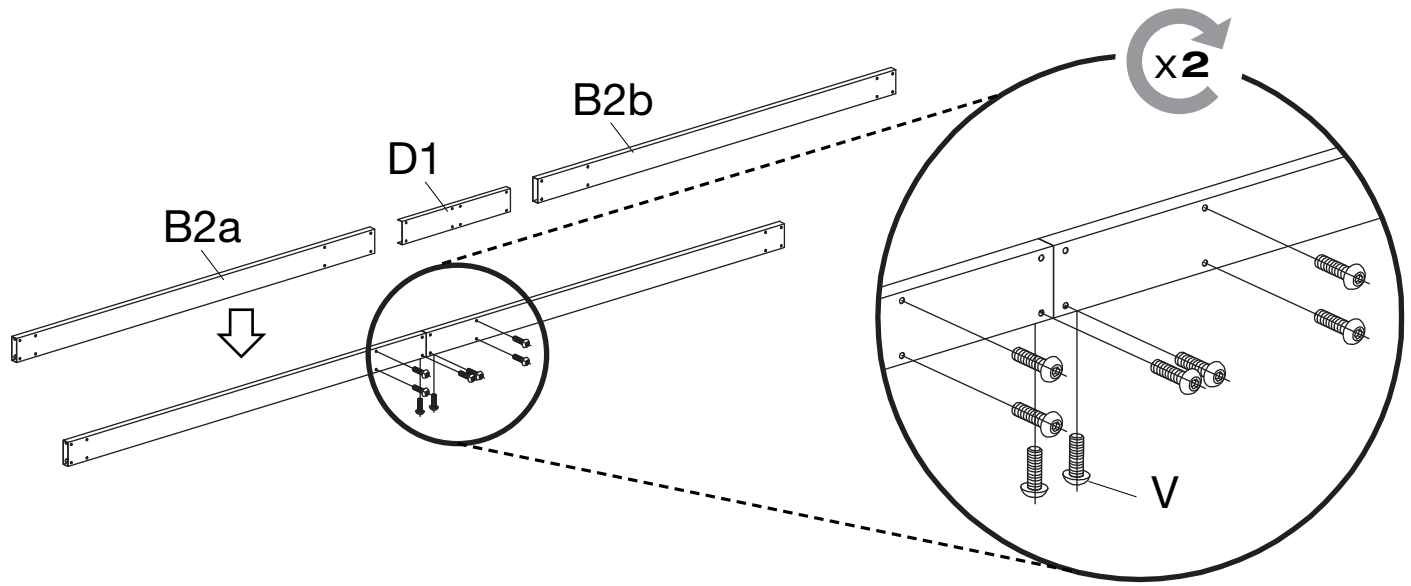








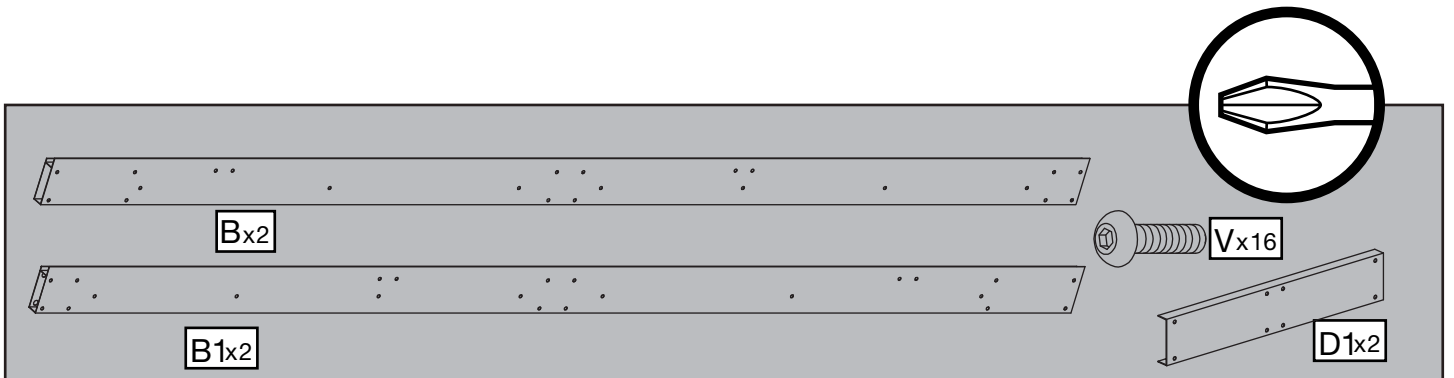
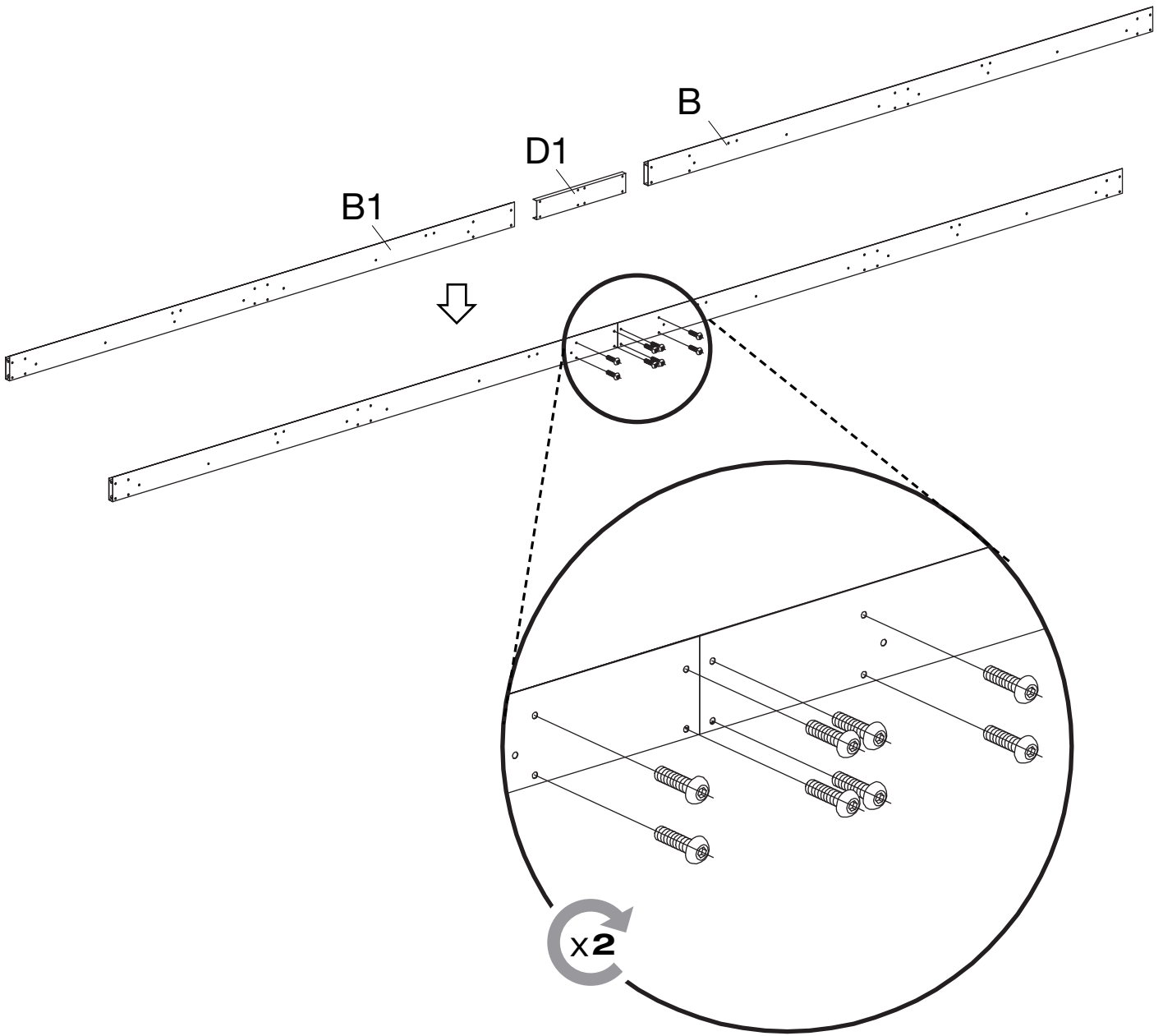
	Ax4		M1 x8
	A1x2		V x32
	A2x2		

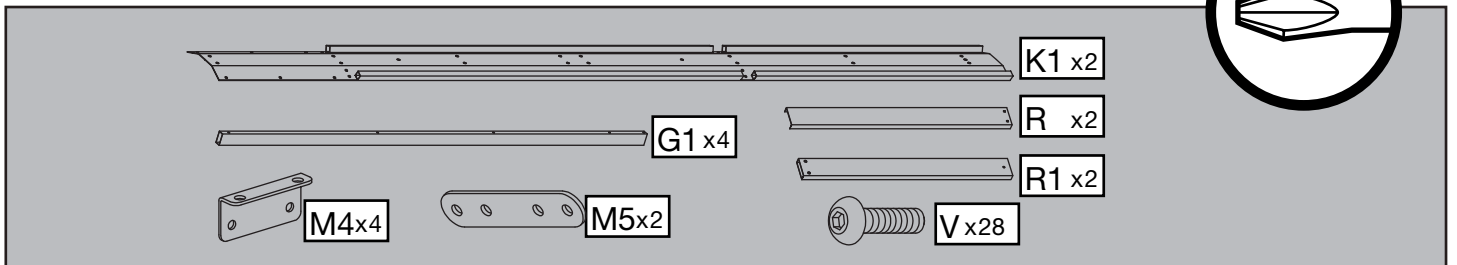
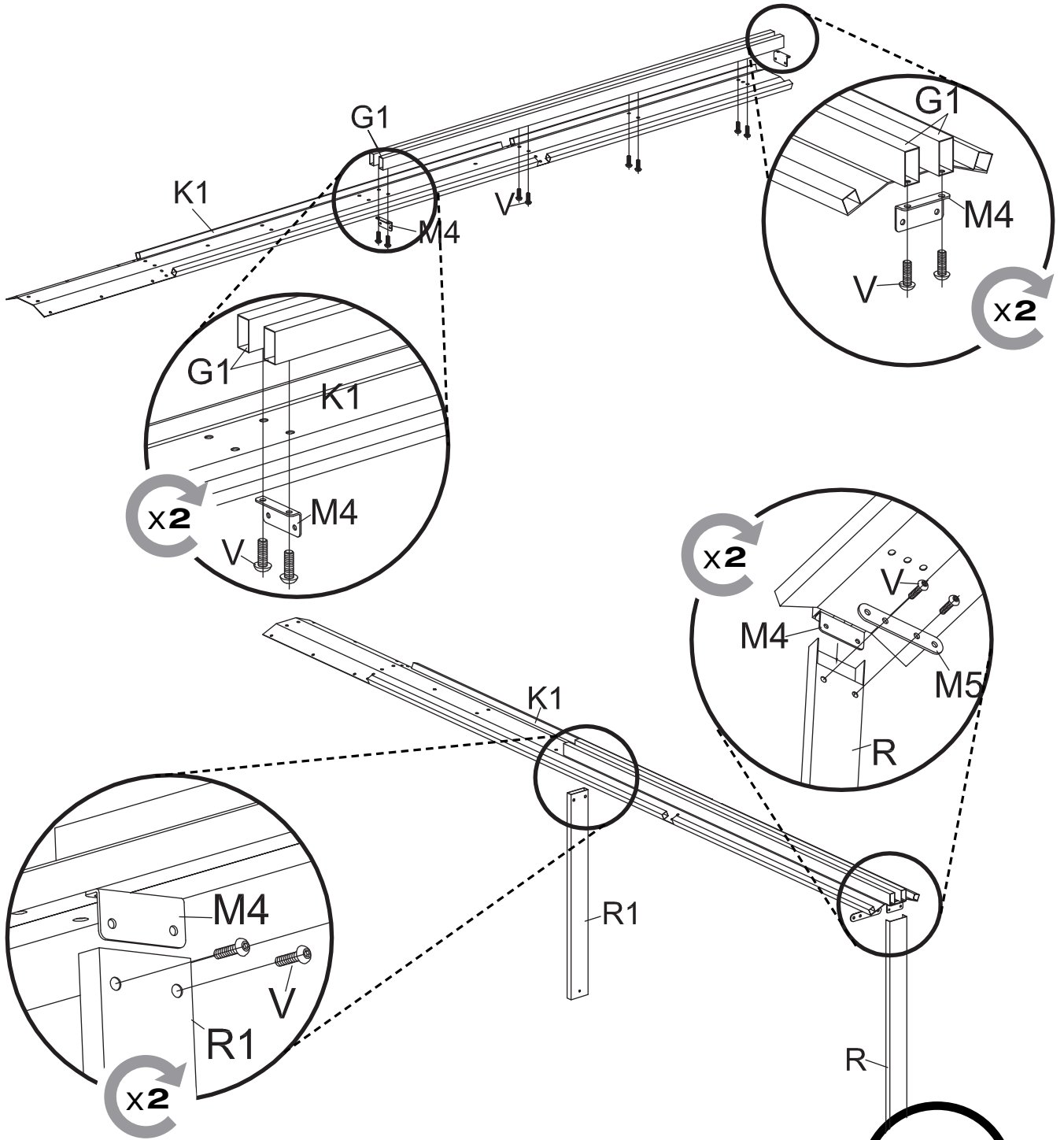


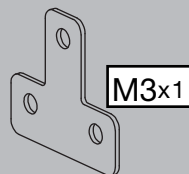
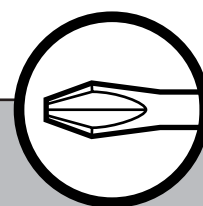
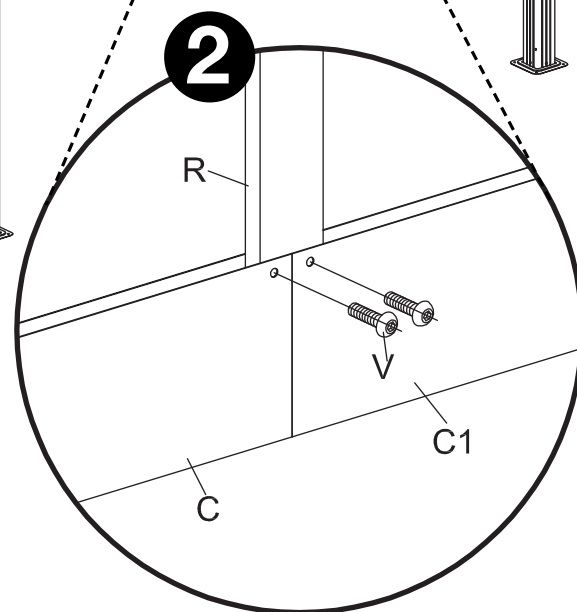
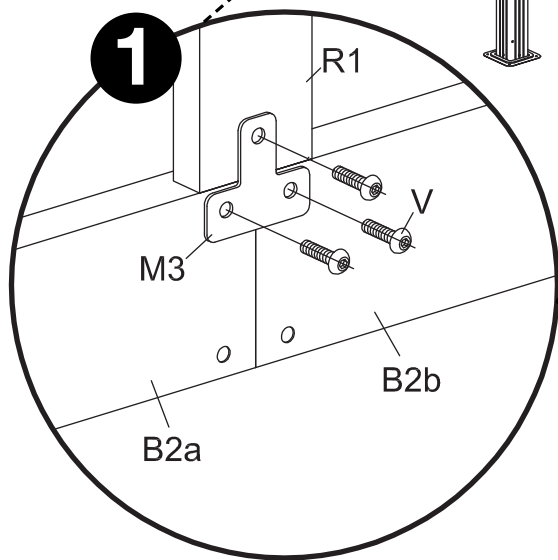
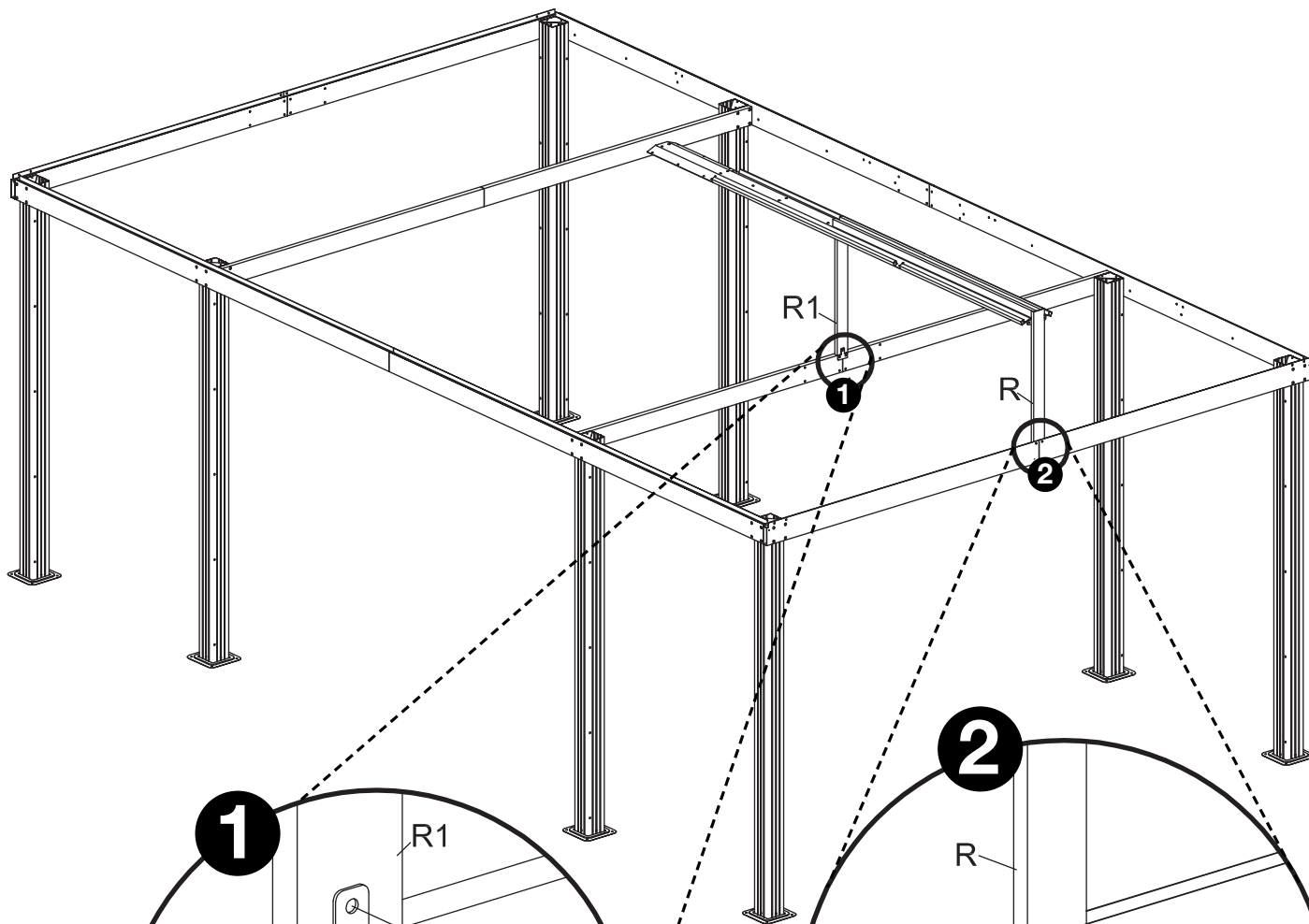
Parts list diagram showing the required components for step 2:

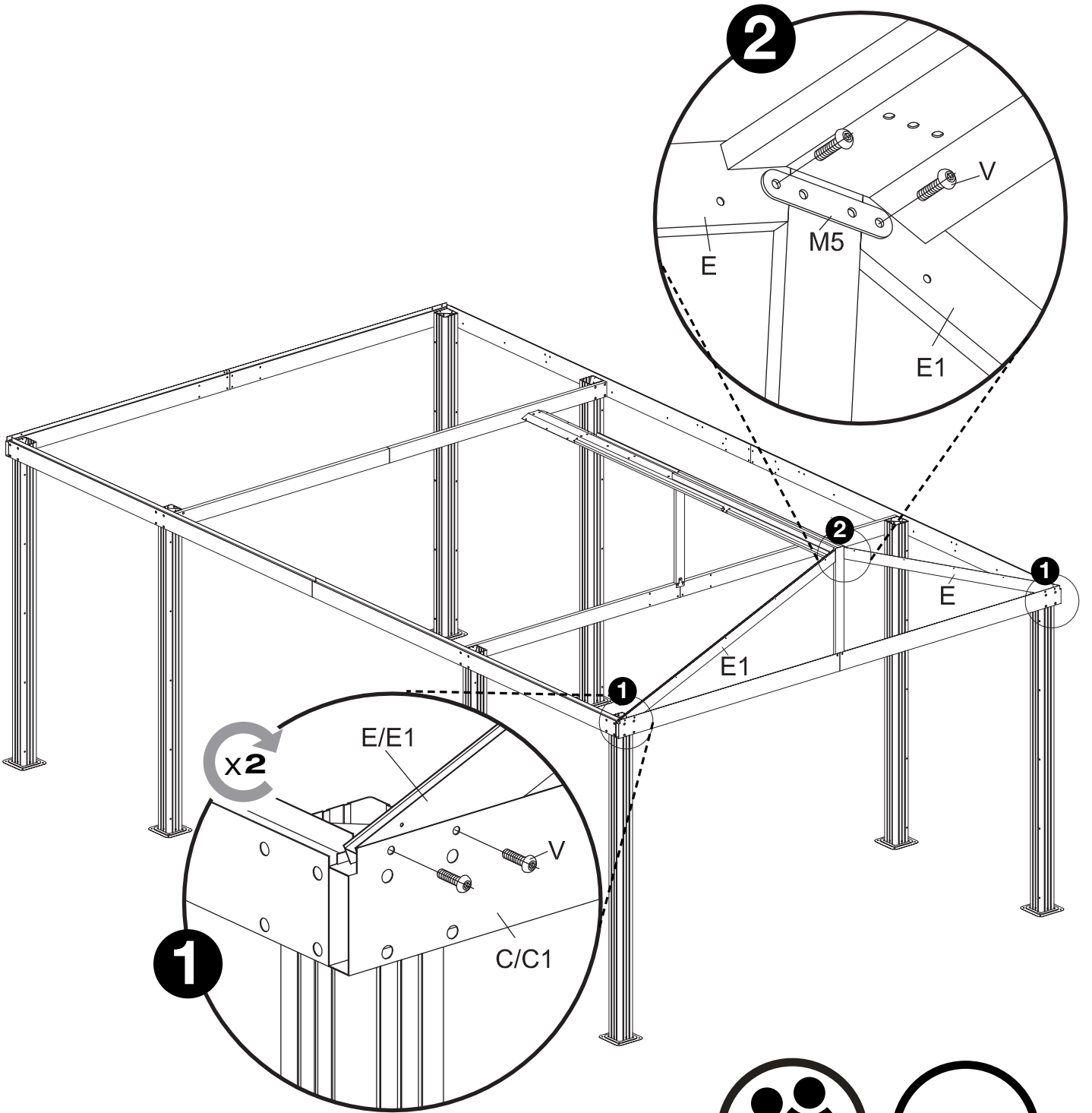
- Cx2
- C1x2
- B2ax2
- B2bx2
- D1x4
- Vx36

A circular inset shows a pair of pliers.

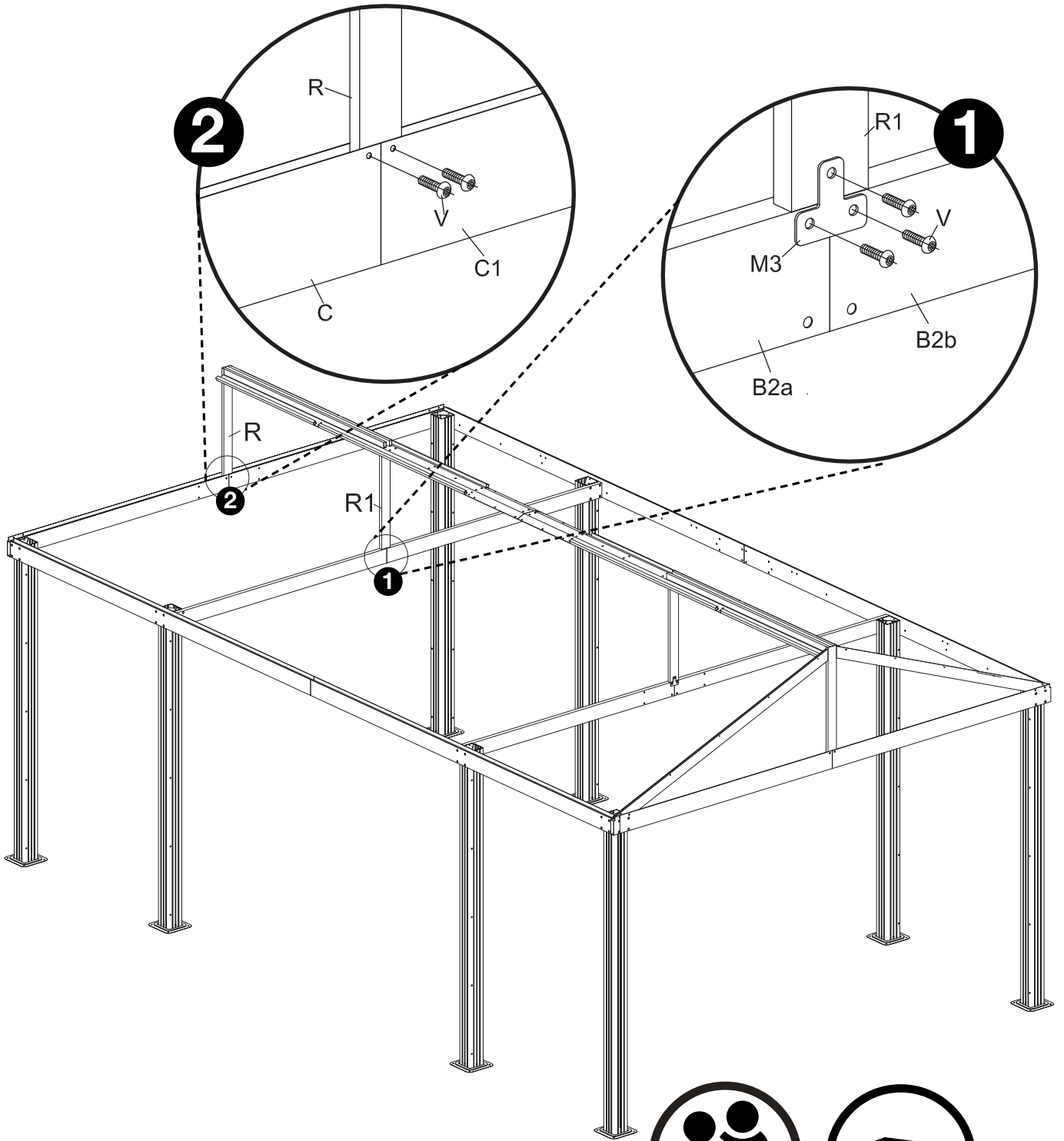






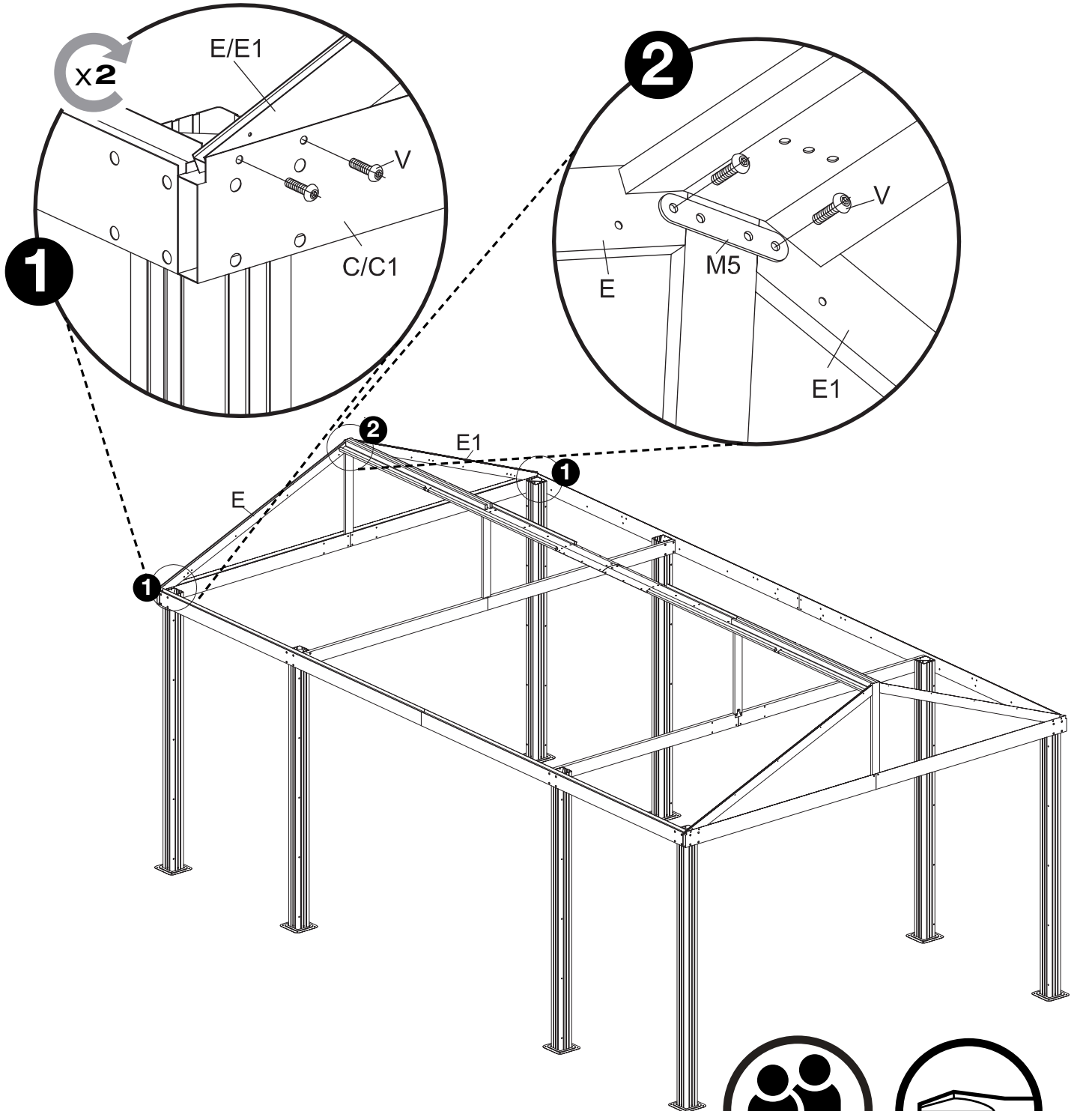


This section contains the parts list and icons for step 7.
 - On the left, two long, thin metal rails are shown. The top one is labeled 'Ex1' and the bottom one is labeled 'E1x1'.
 - On the right, there are two circular icons: one with two stylized human figures and the text '2+' below it, and another showing a hand using a screwdriver.
 - Below the icons, a screw is shown with the label 'Vx6' next to it.

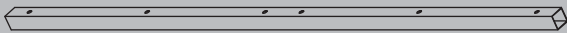
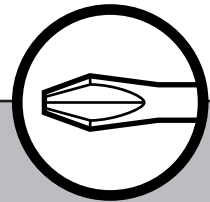
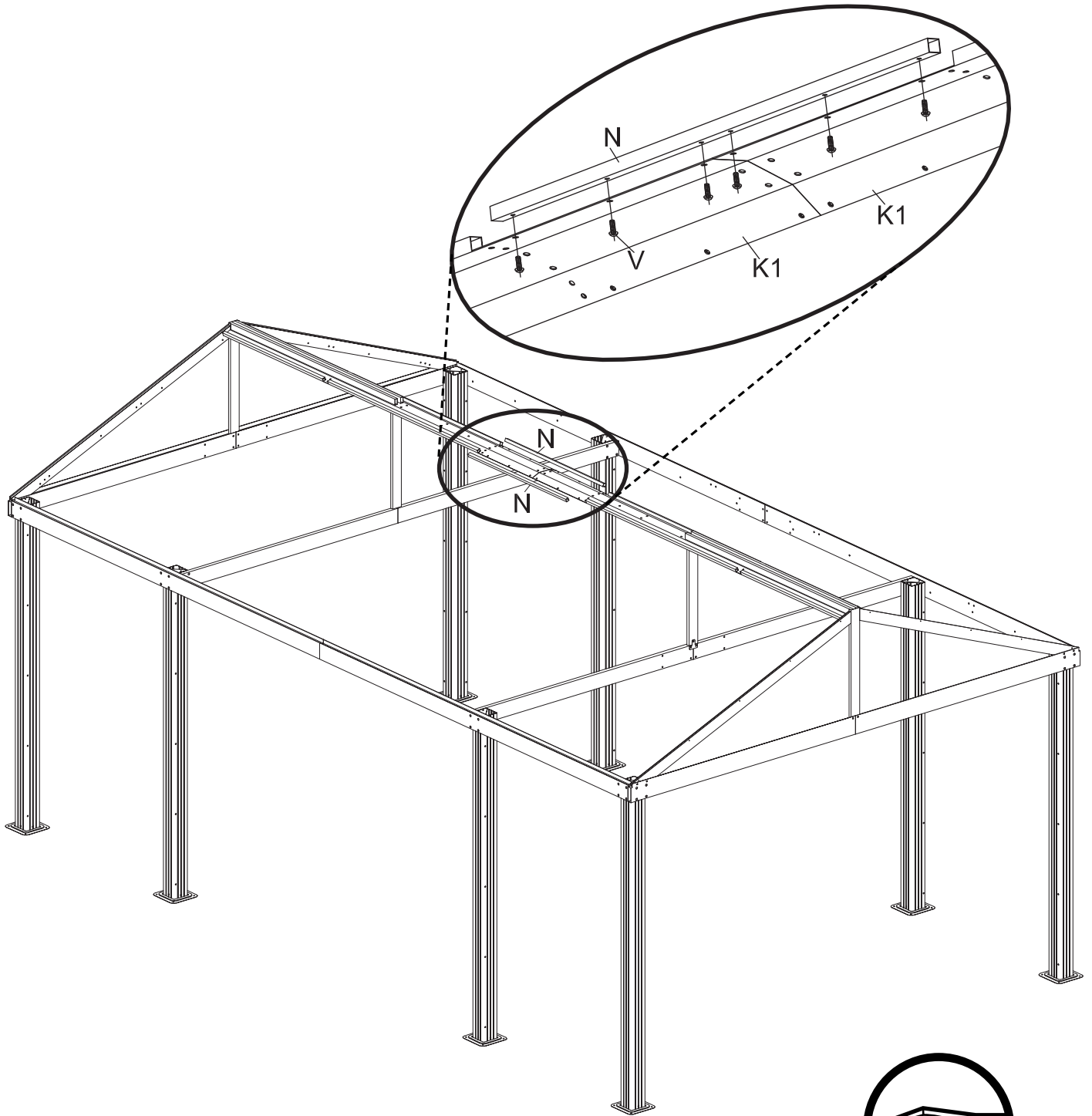


This section contains the parts list and icons for the assembly step:

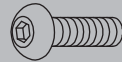
- Bracket:** L-shaped metal bracket labeled **M3x1**.
- Screw:** Screw labeled **Vx5**.
- Person Icon:** A circle containing two stylized human figures and the text **2+**, indicating that at least two people are required for assembly.
- Wrench Icon:** A circle containing a wrench, indicating that a wrench is needed for the assembly.



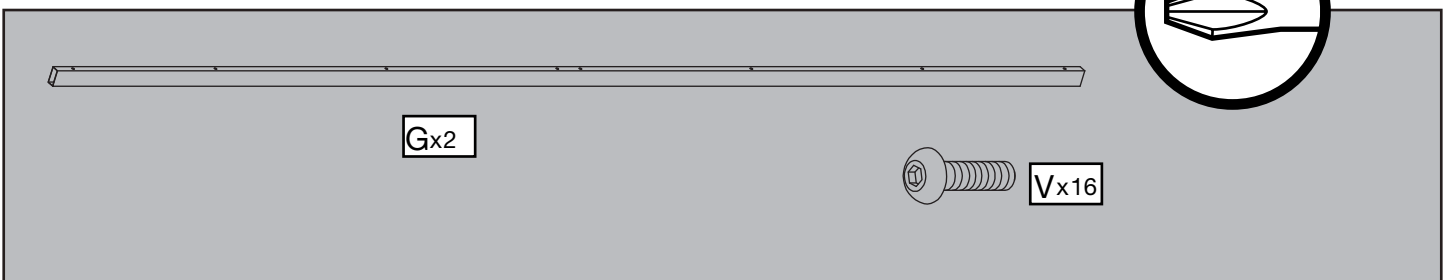
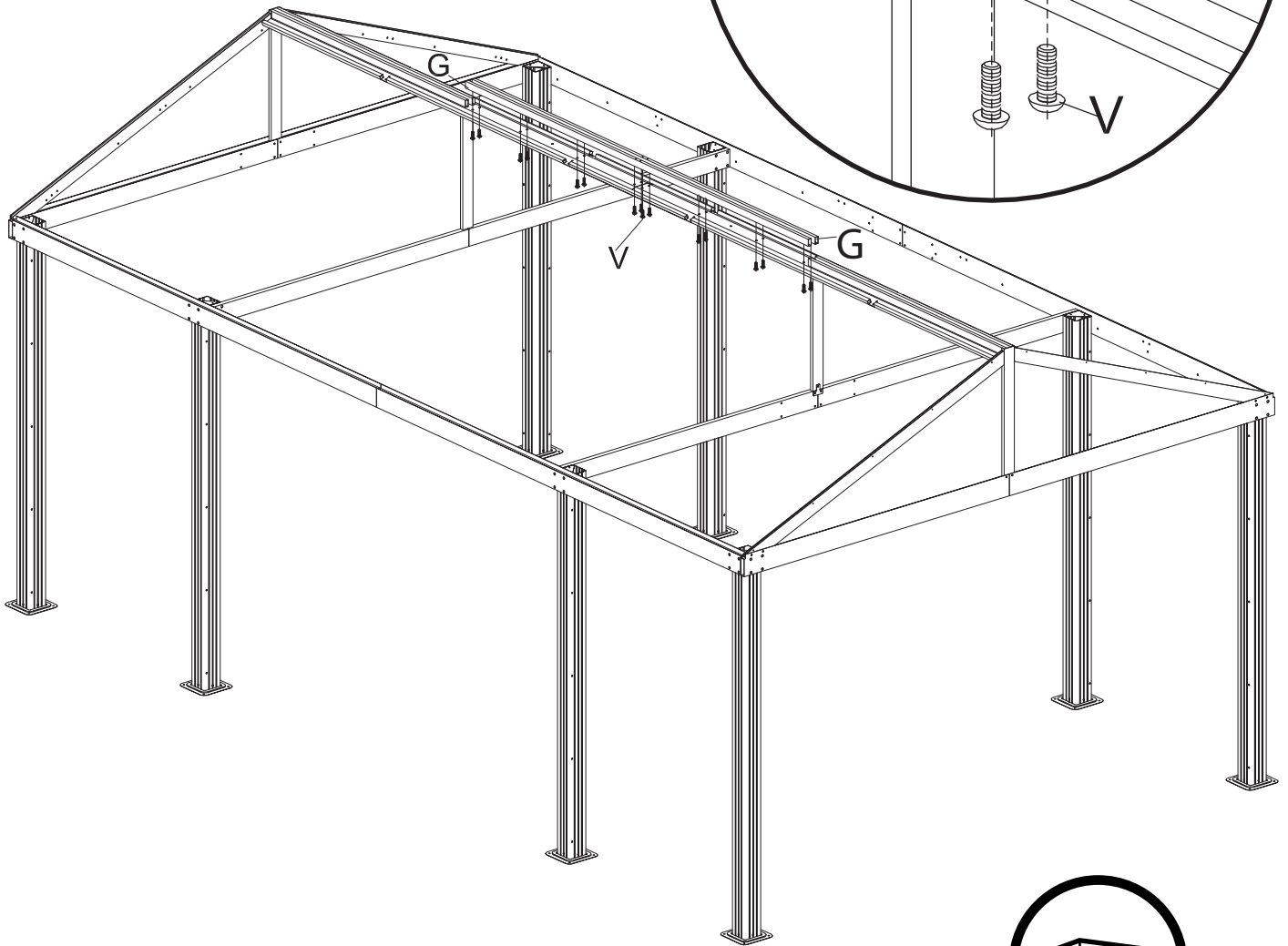
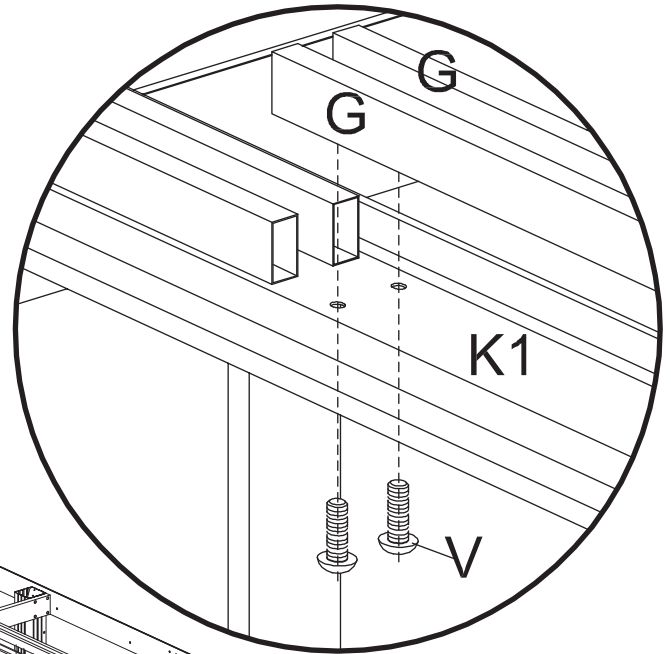
This section contains the parts list and assembly icons. On the left, two long, thin metal rails are shown. To the right, there are three icons: a circle with two people and the number '2+', a circle with a hand holding a piece of wood, and a circle with a screw. Below these icons are three boxes: 'Ex1' (pointing to the top rail), 'E1x1' (pointing to the base rail), and 'Vx6' (pointing to the screw).

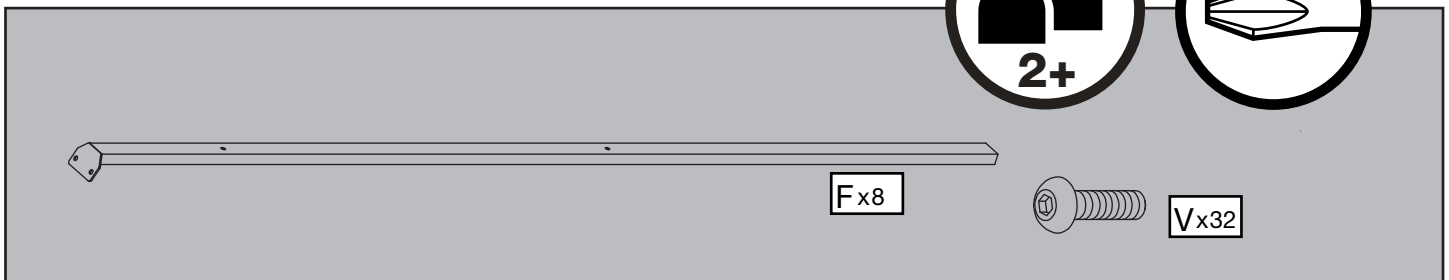
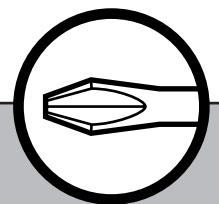
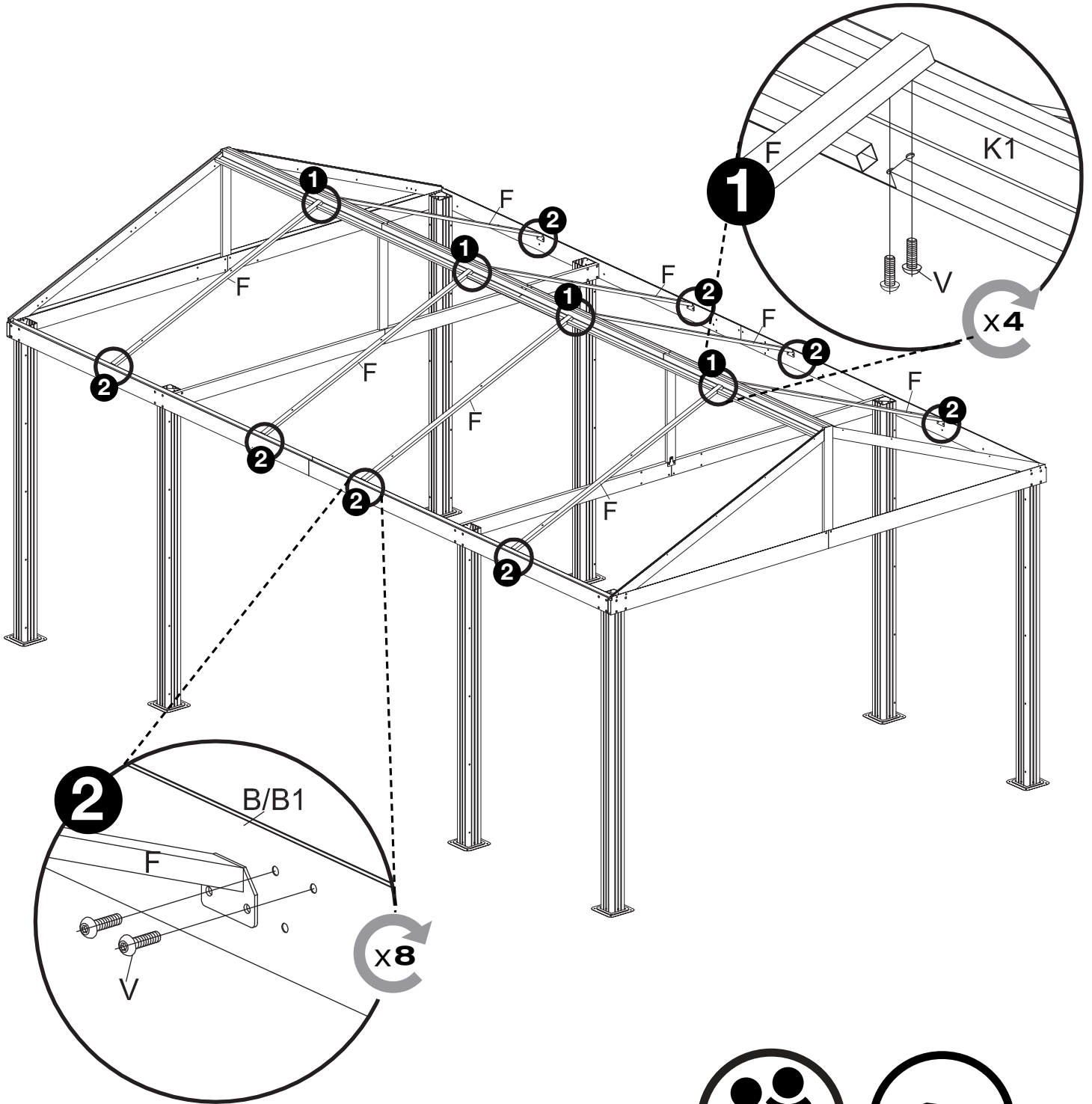


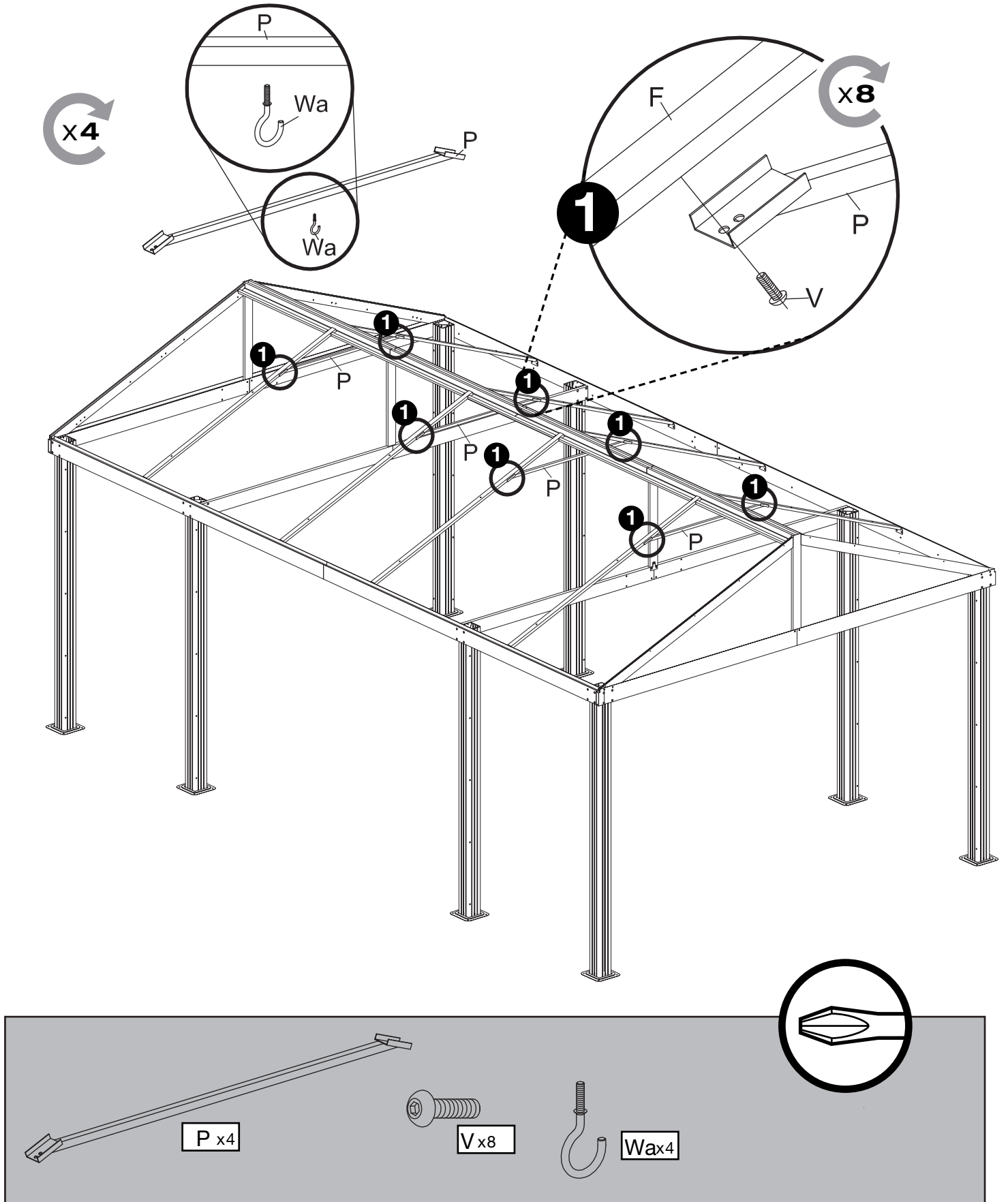
Nx2

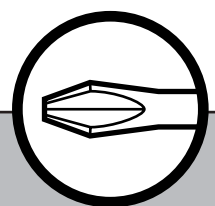
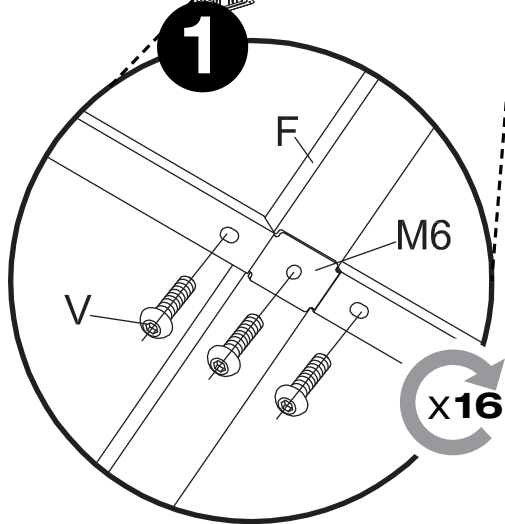
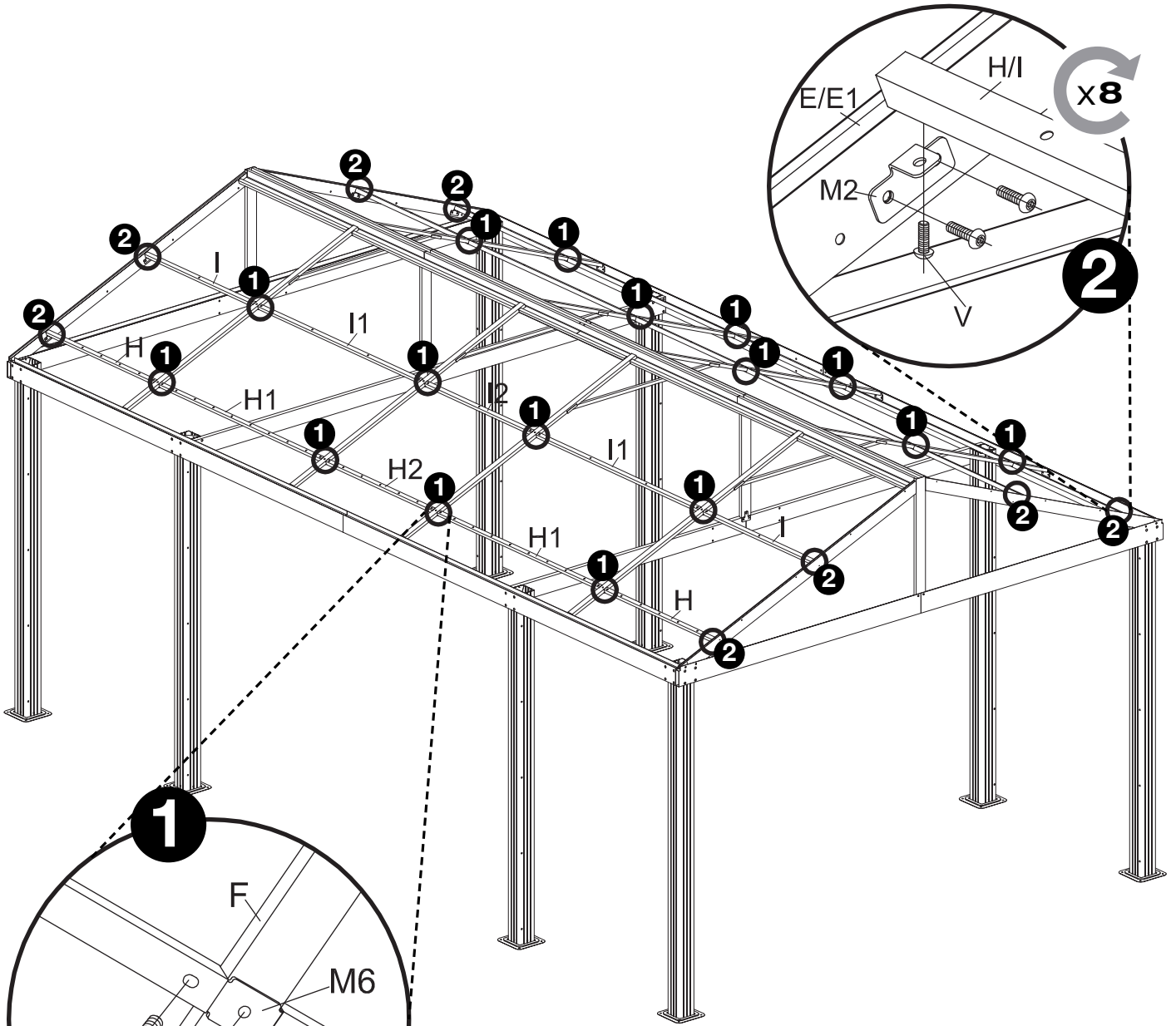



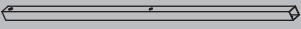


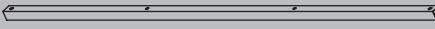
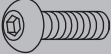



Vx12

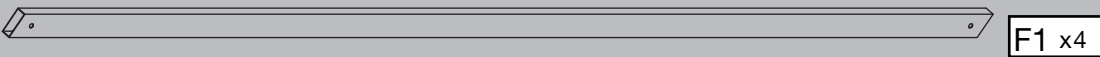
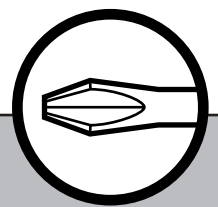
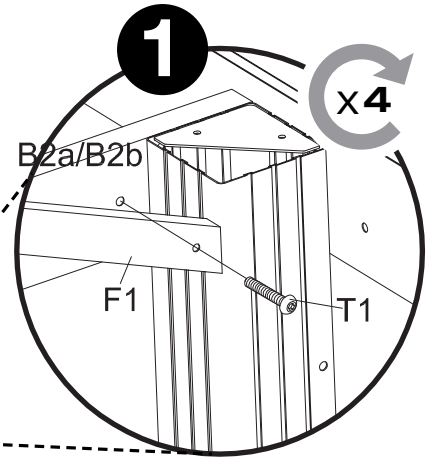
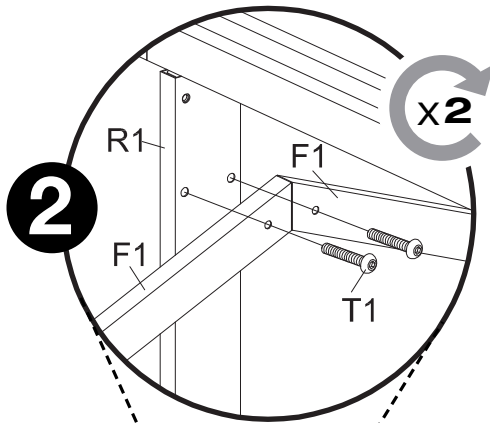
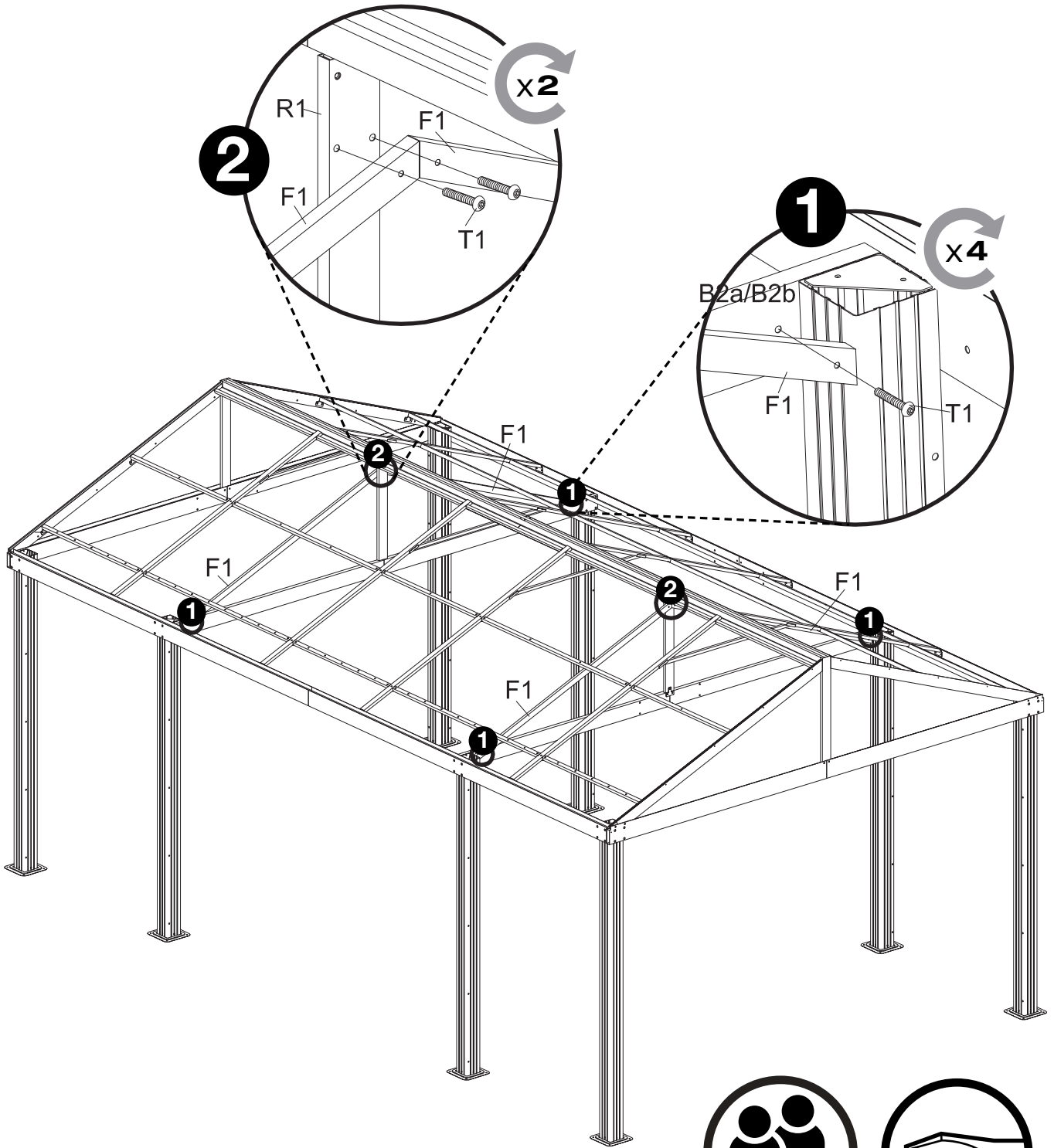


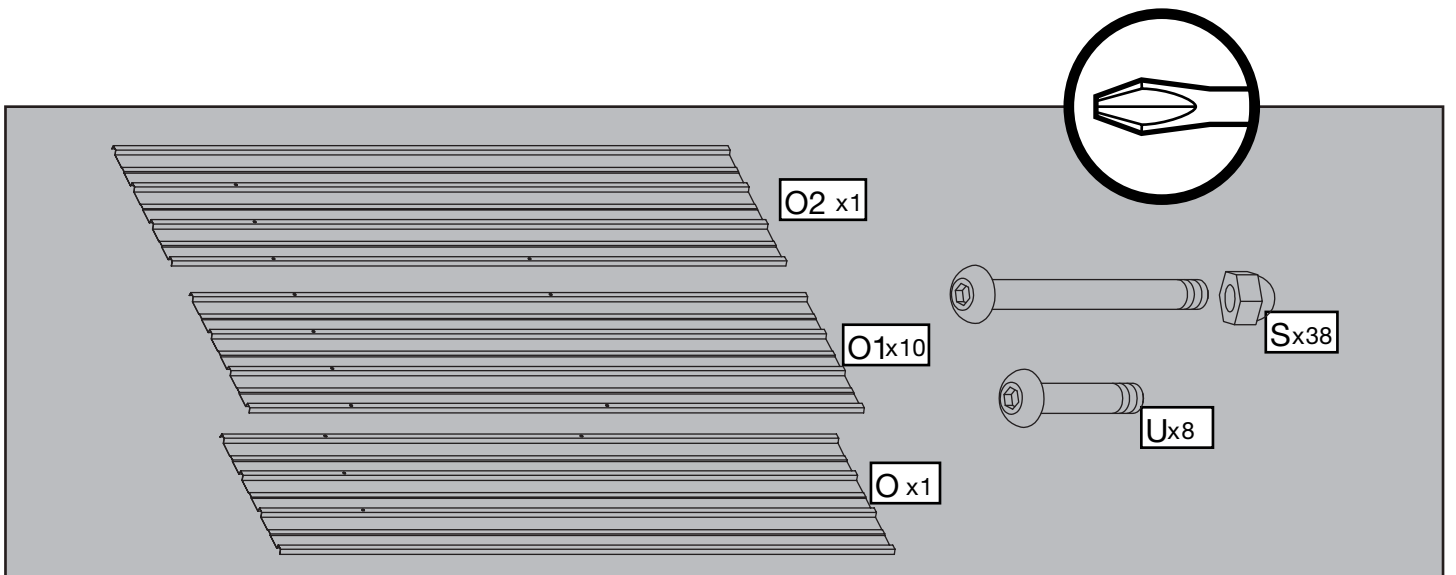
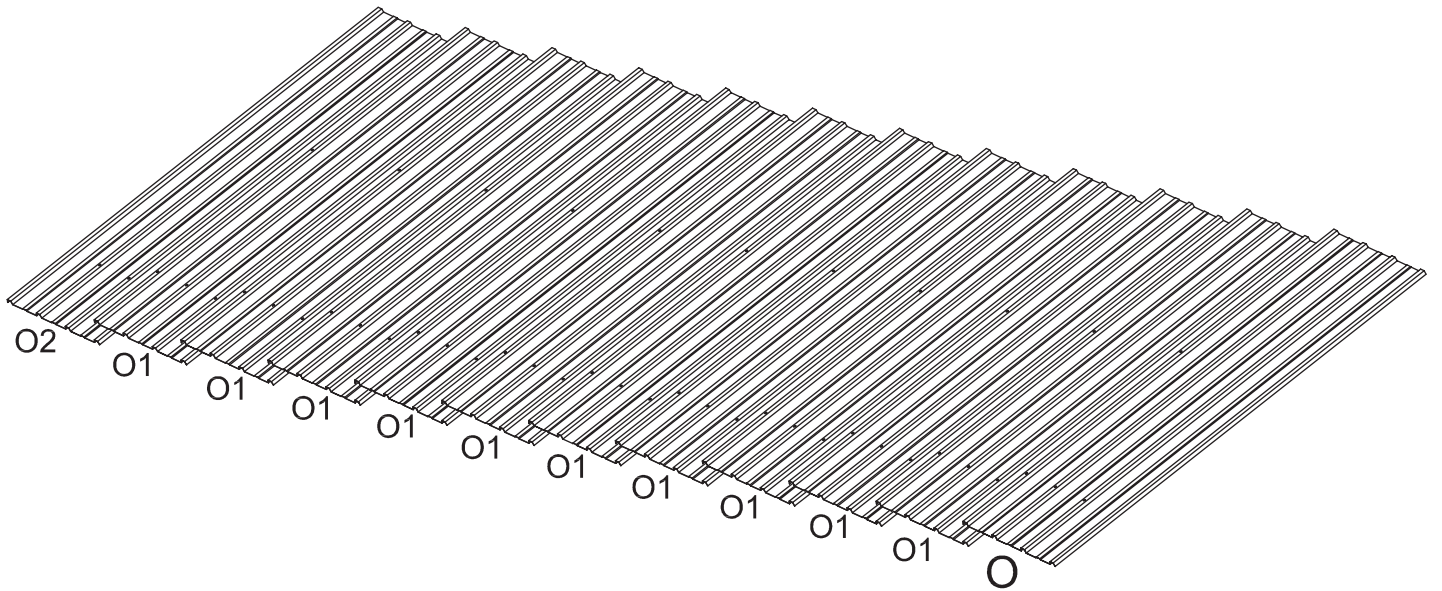
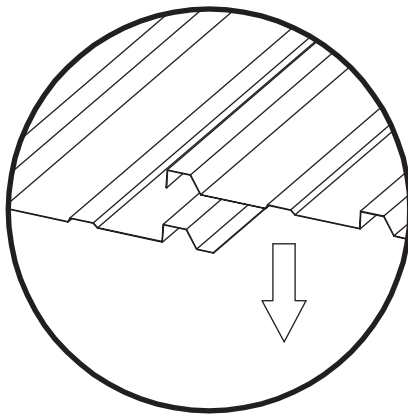
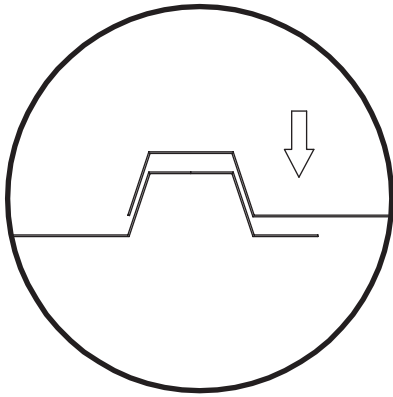




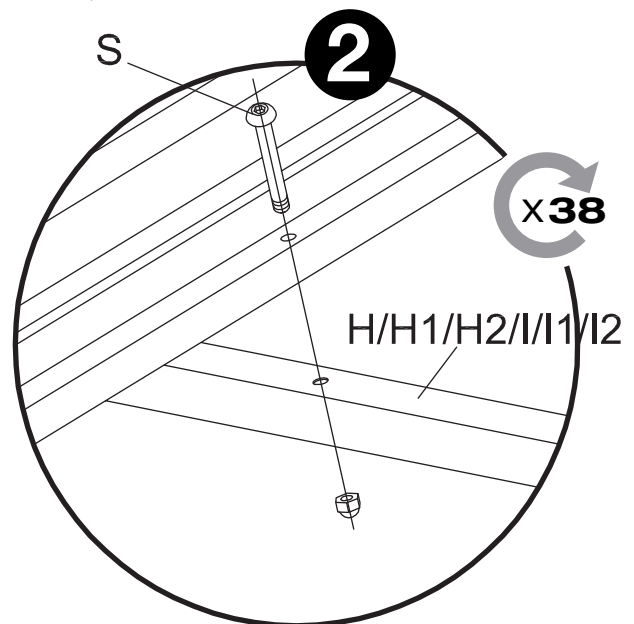
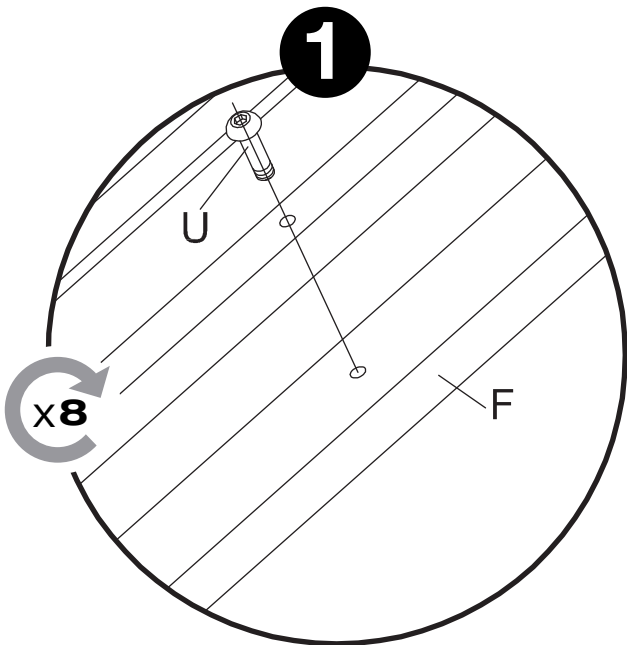
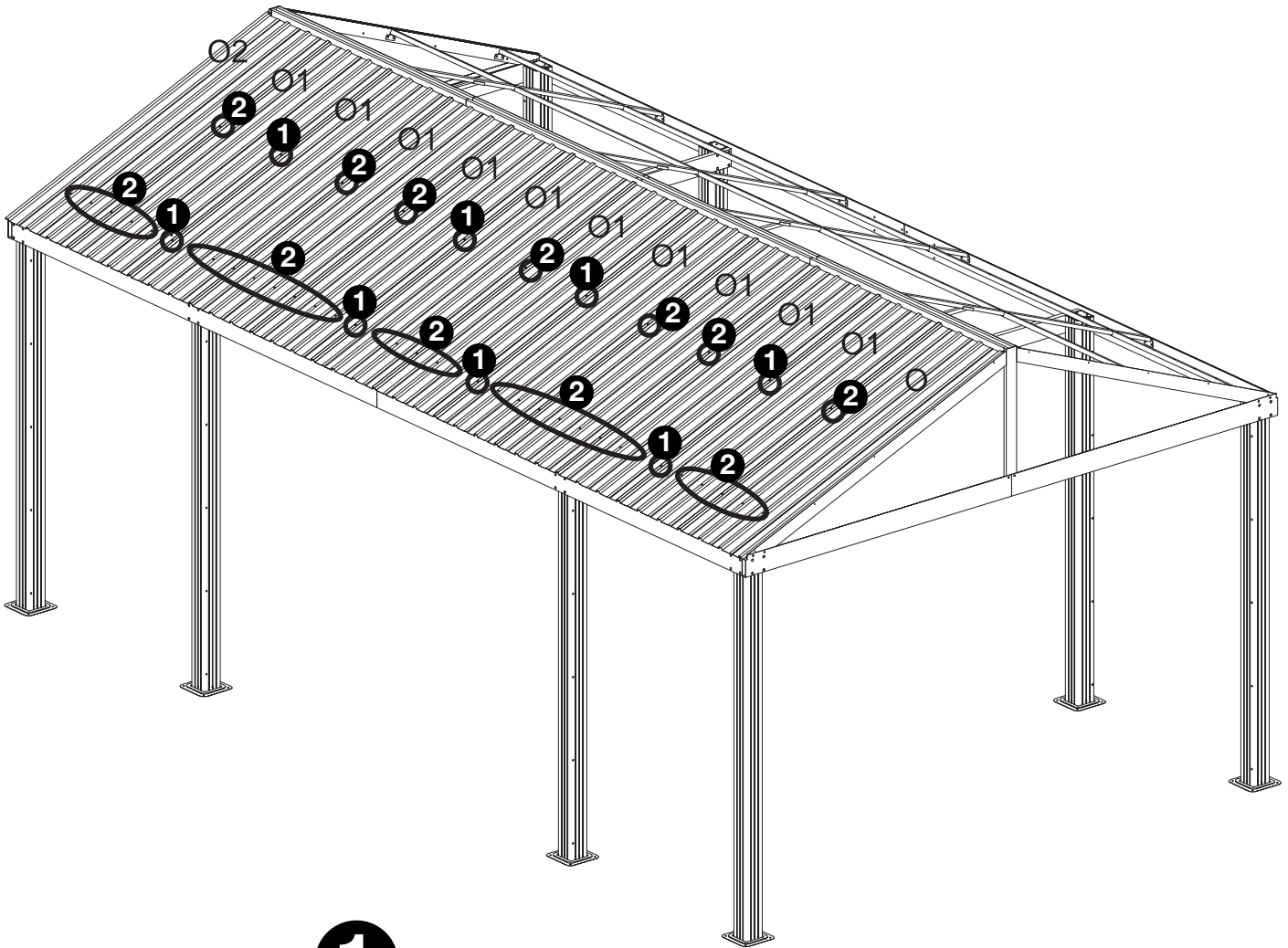


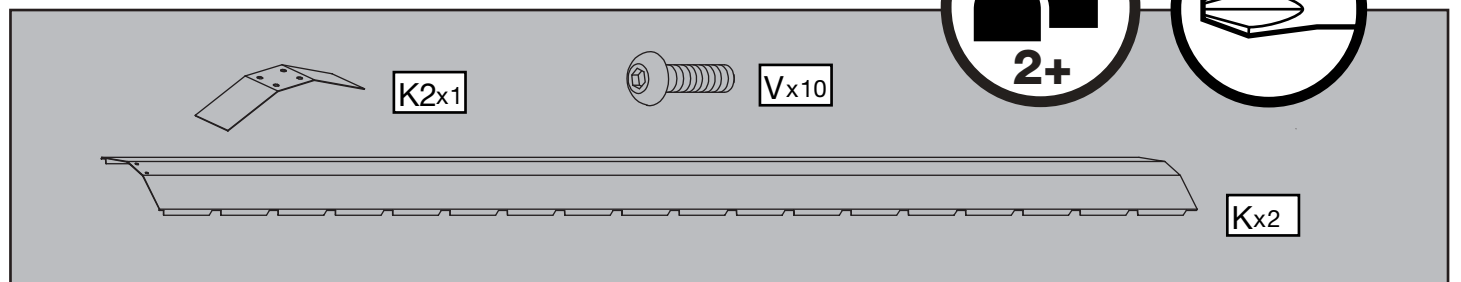
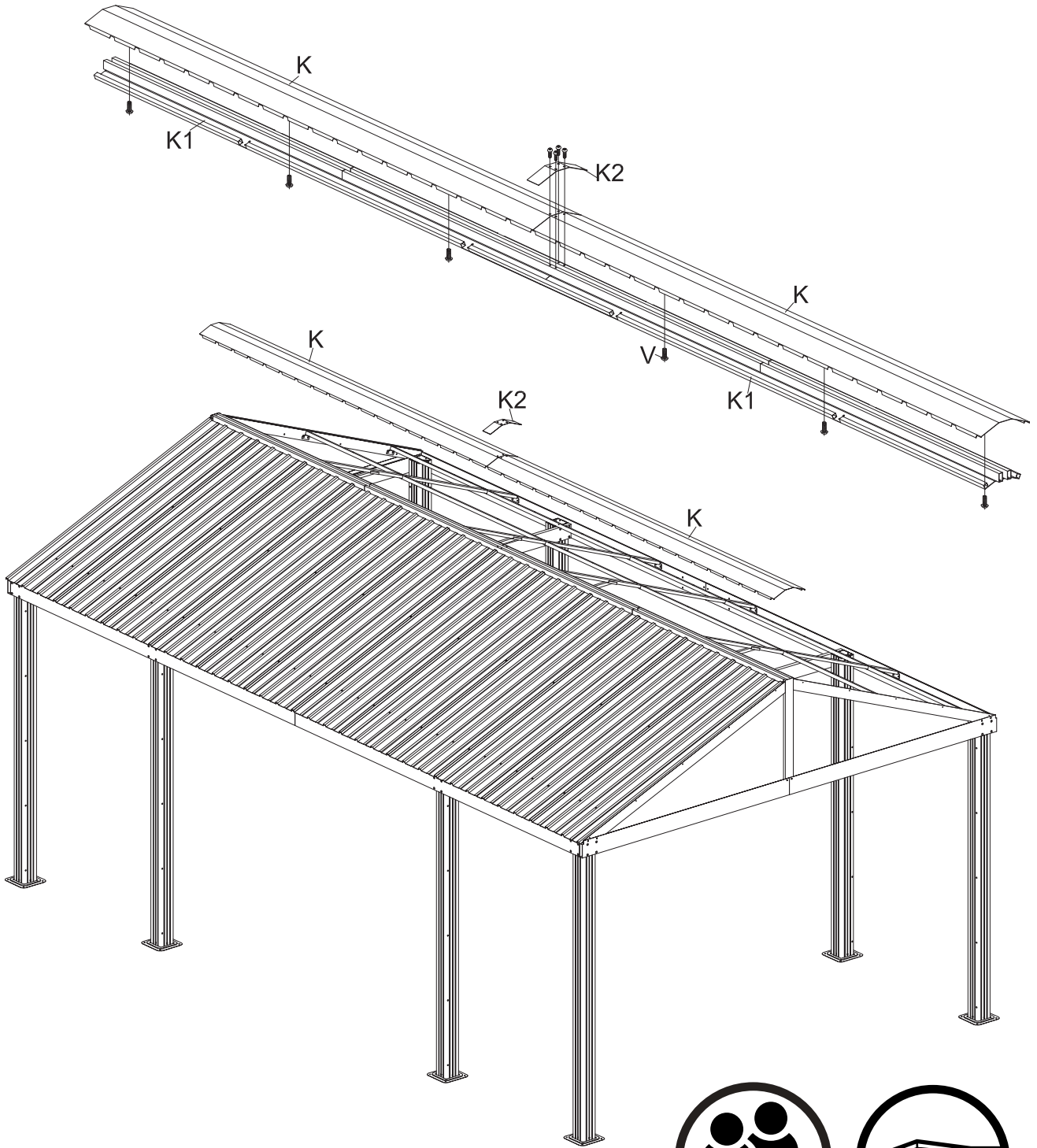
- | | | |
|---|--|--|
|  H x4 |  I x4 |  M2 x8 |
|  H1 x4 |  I1 x4 |  V x72 |
|  H2 x2 |  I2 x2 |  M6 x16 |

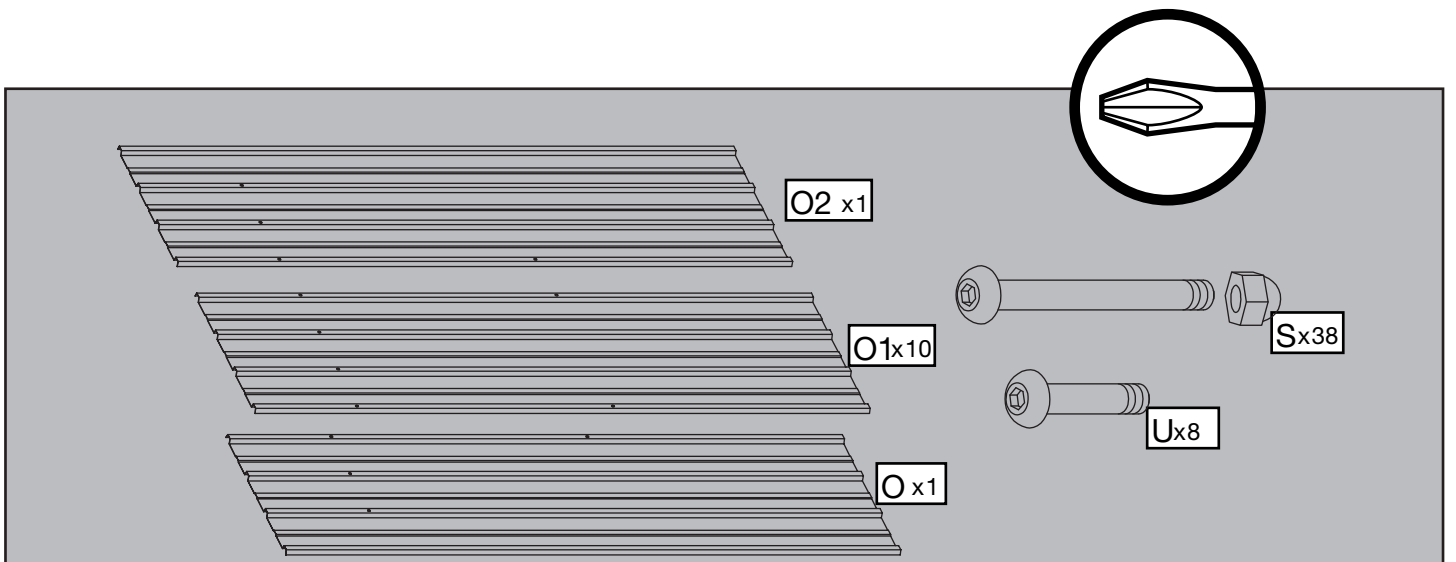
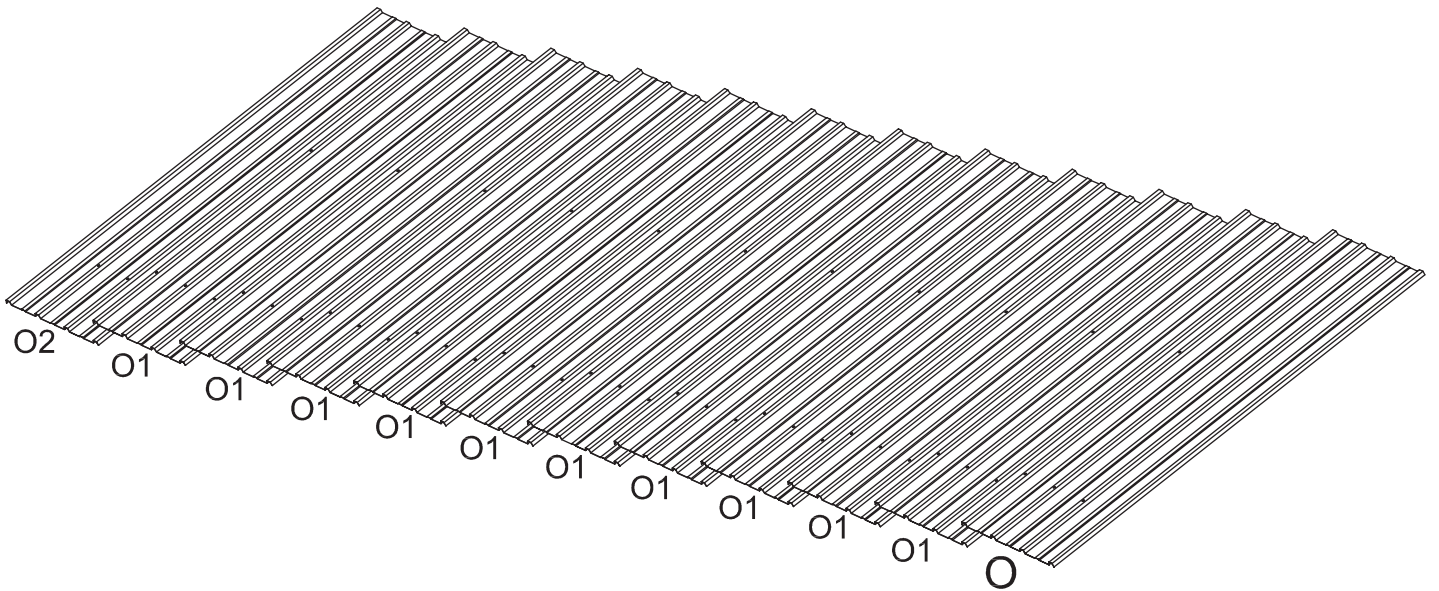
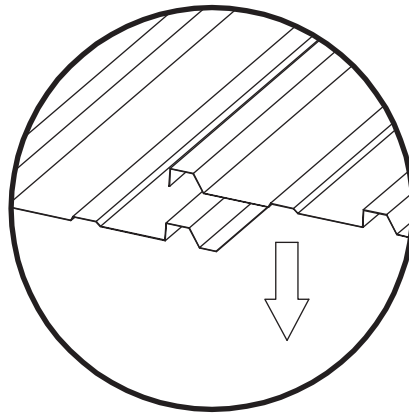
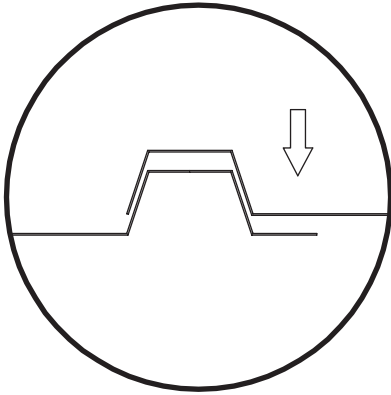




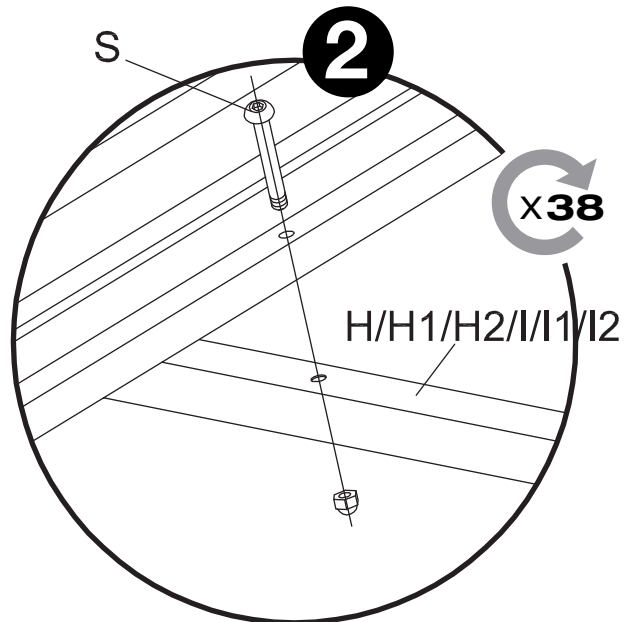
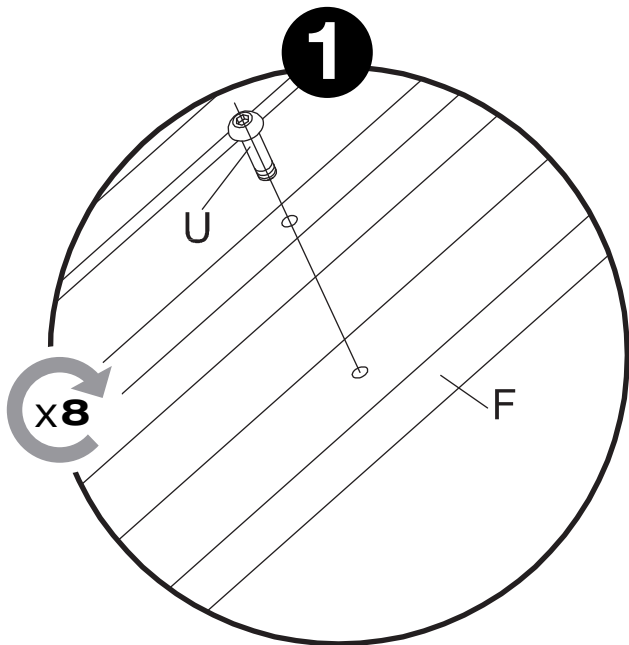
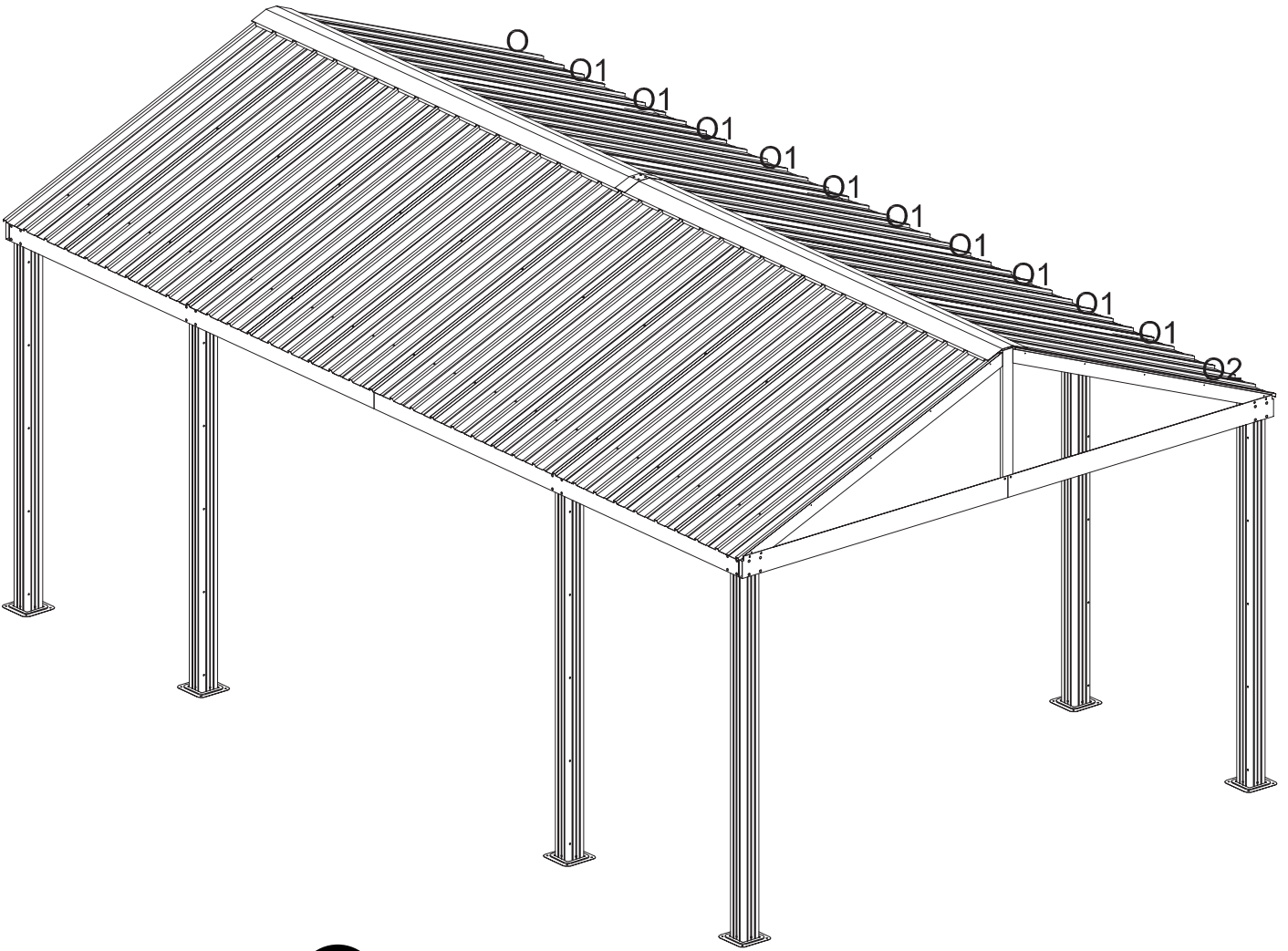
16A/21

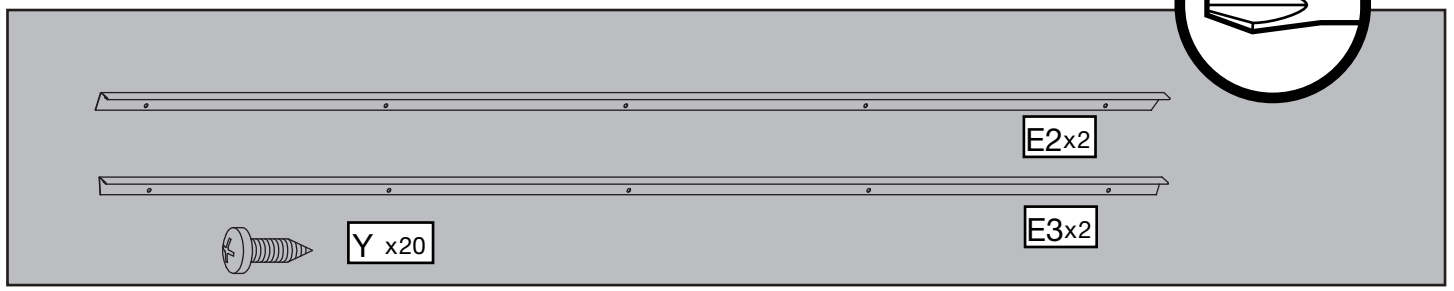
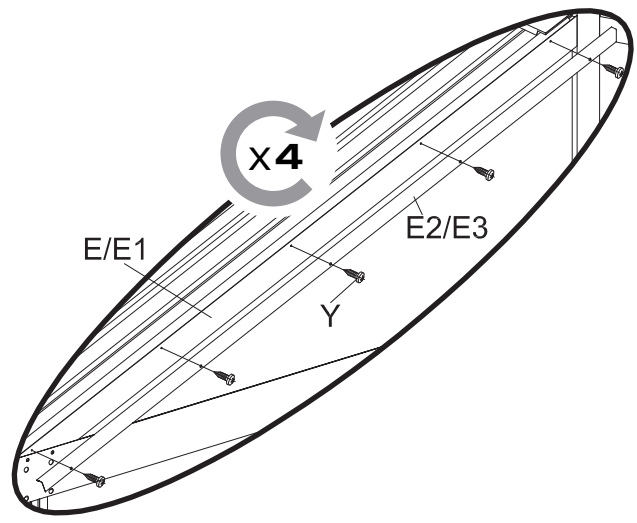
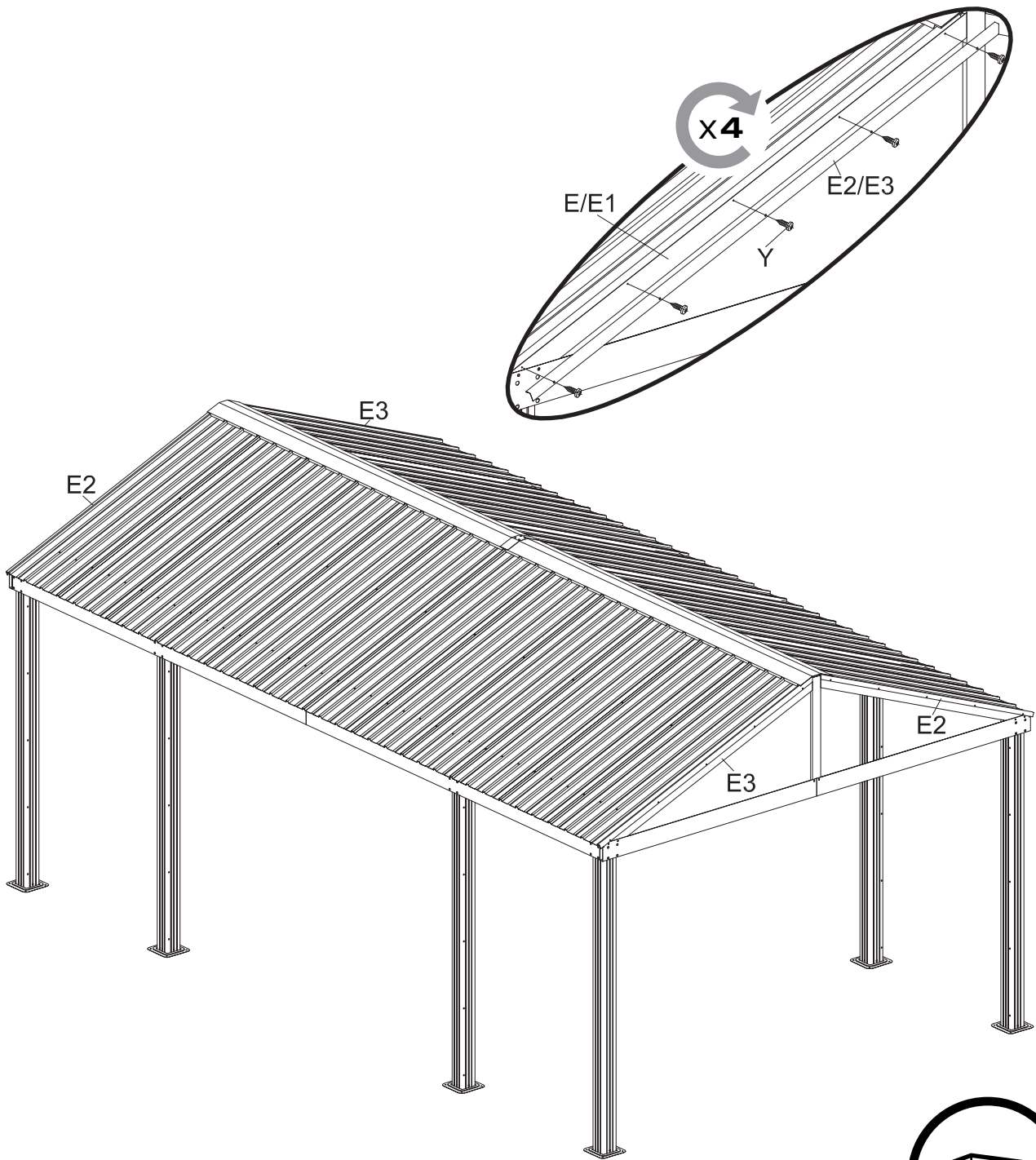


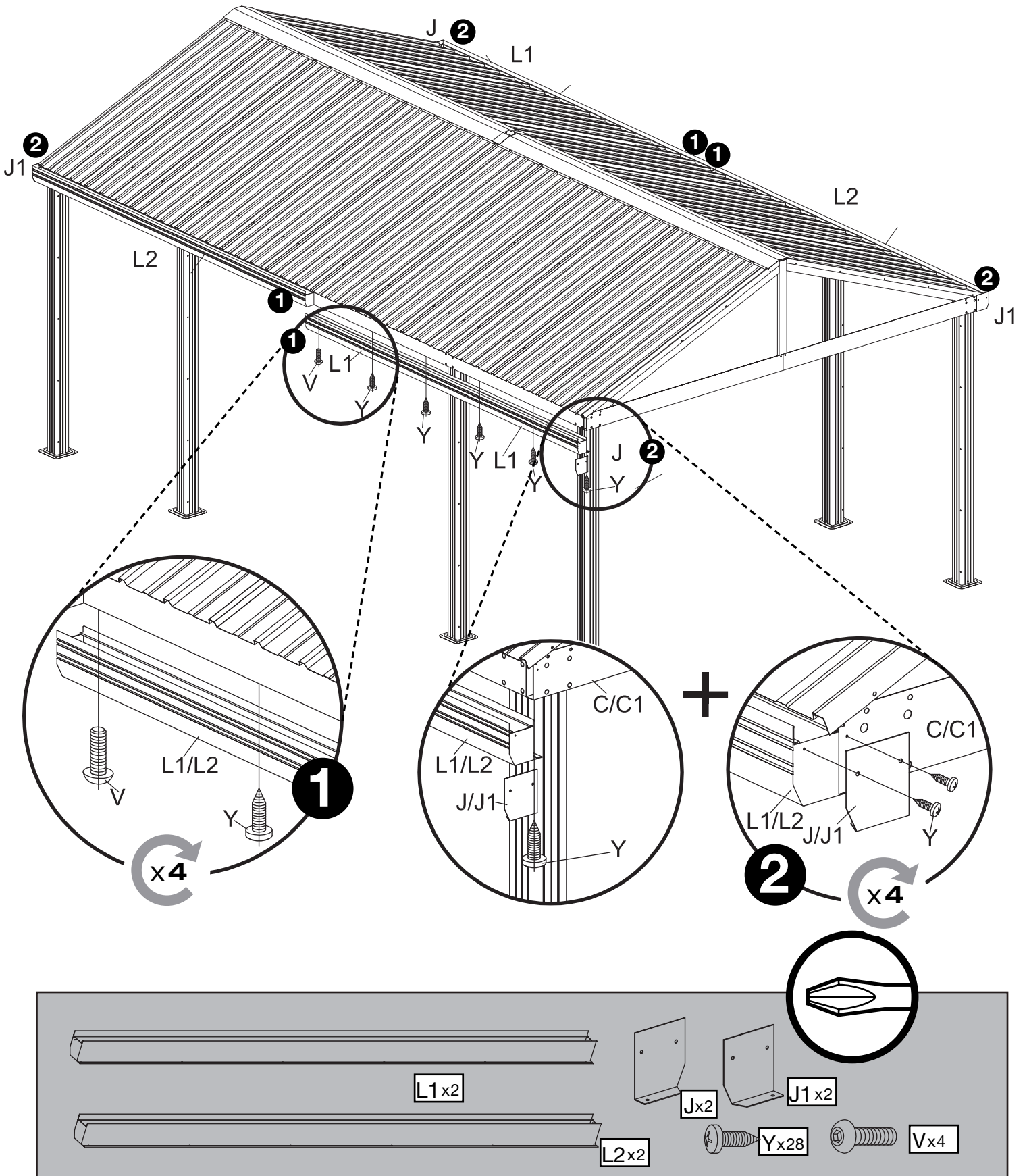




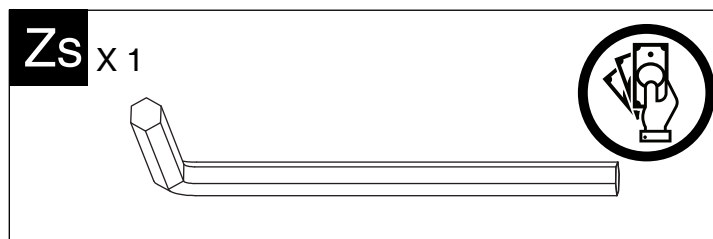
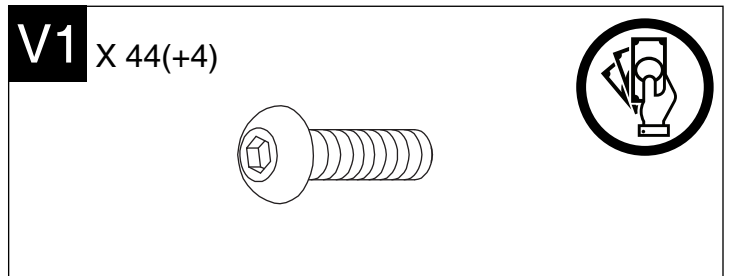
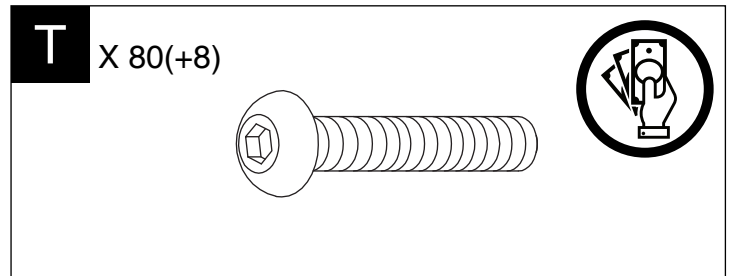
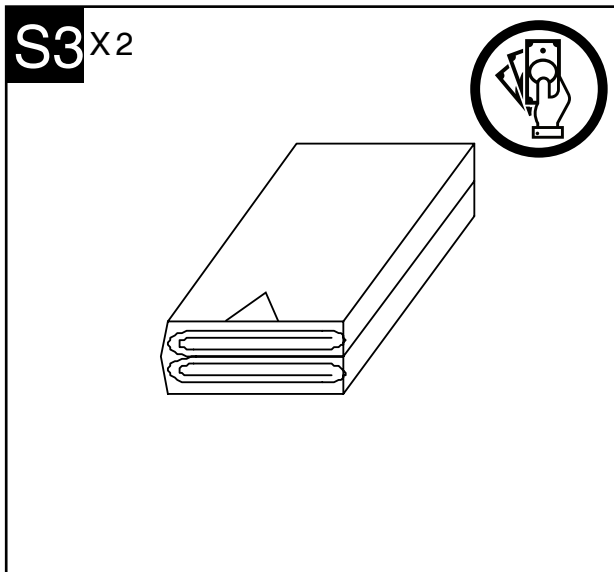
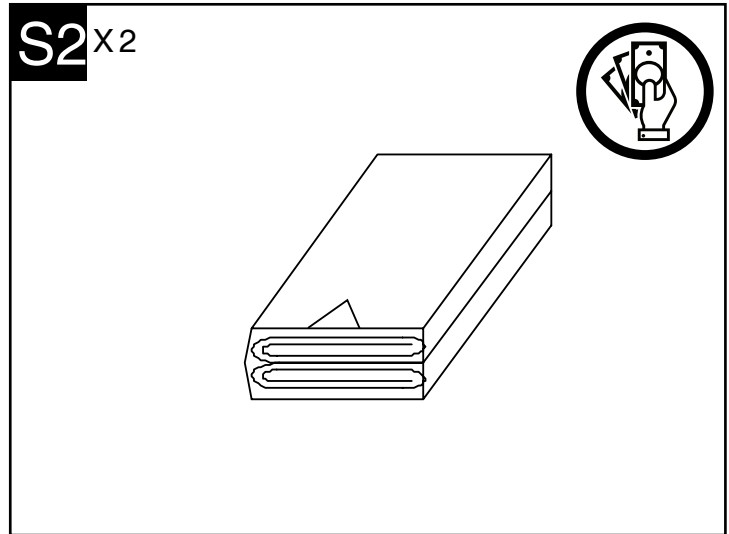
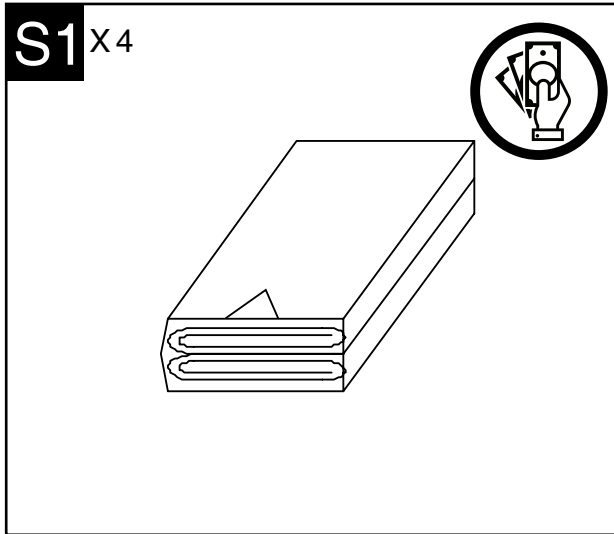
18A/21

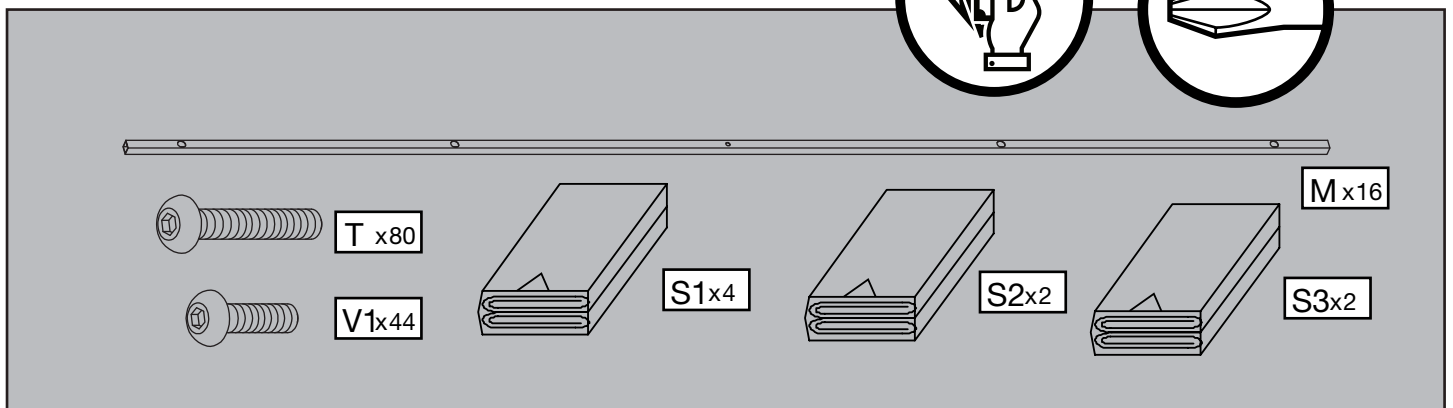
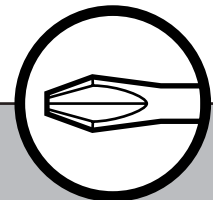
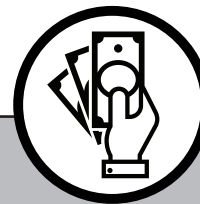
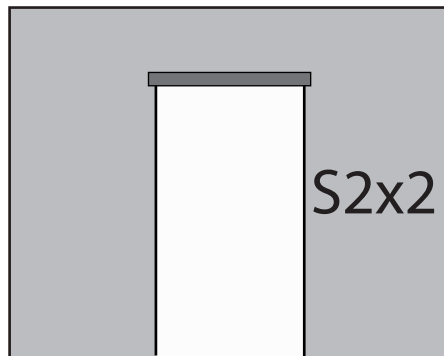
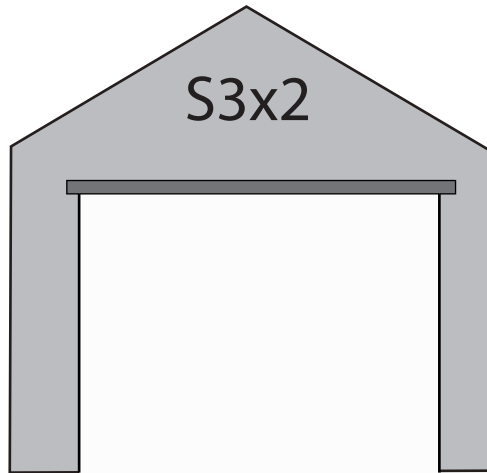




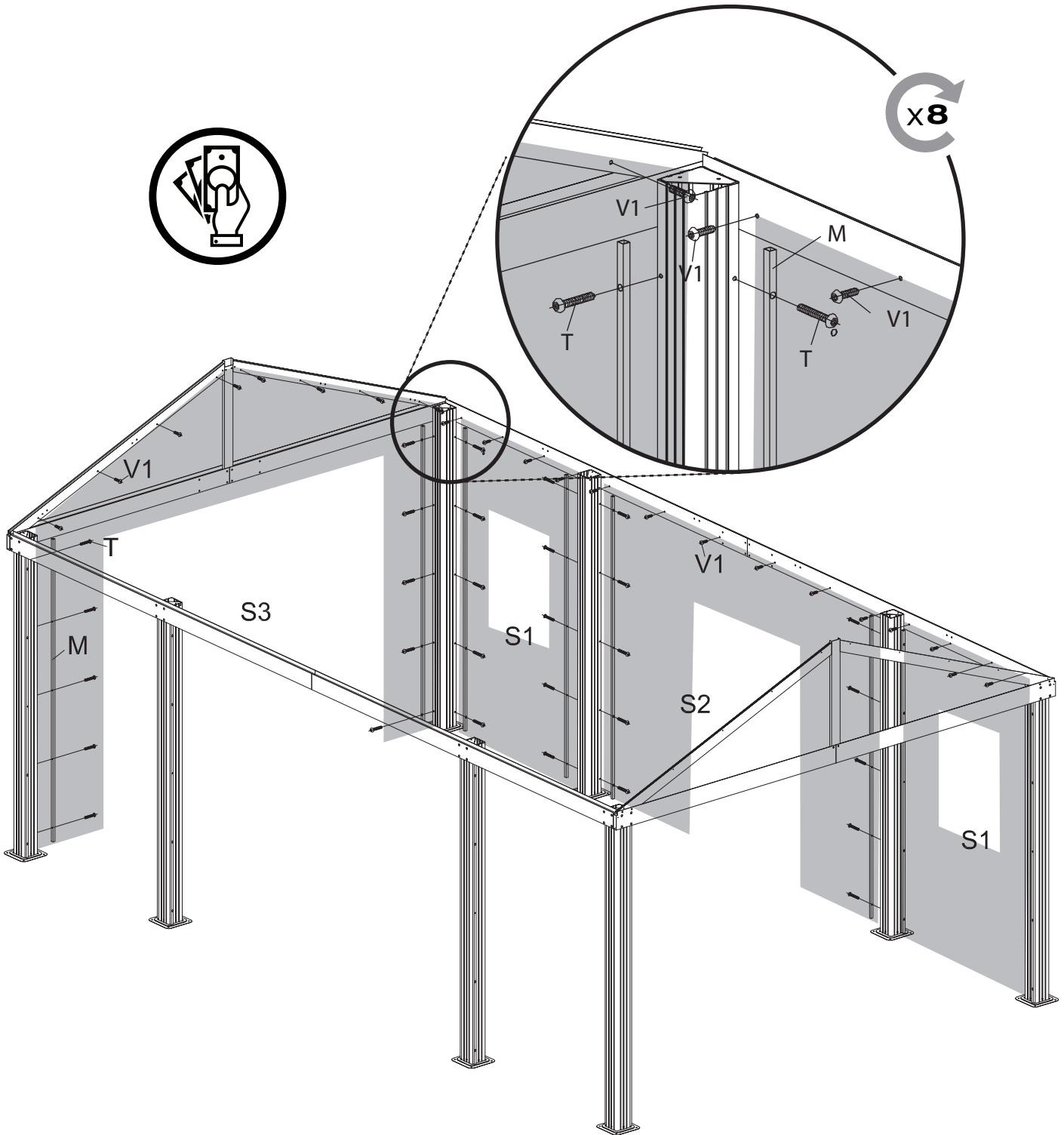


Enclosure kit: sold separately





21A/21



SOJAG ■ I
produits saisonniers • seasonal products