

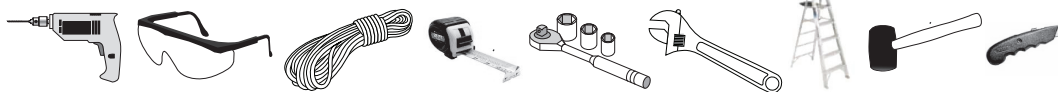


18' W x 10' H or 12' H Peak Style Frame Assembly



Assembly Instructions

Before you start: 2+ individuals recommended for assembly, approximate time 3 hours.
Recommended tools: Power Drill, Safety Glasses, Rope, Tape Measure, Ratchet with Socket Set, Adjustable Wrench, Step Ladder, Rubber Mallet, Utility Knife, 5/8 Concrete Drill Bit, Sledge Hammer.



ShelterLogic, LLC
150 Callender Road
Watertown, CT 06795

www.shelterlogic.com

1-800-524-9970

Canada:

1-800-559-6175

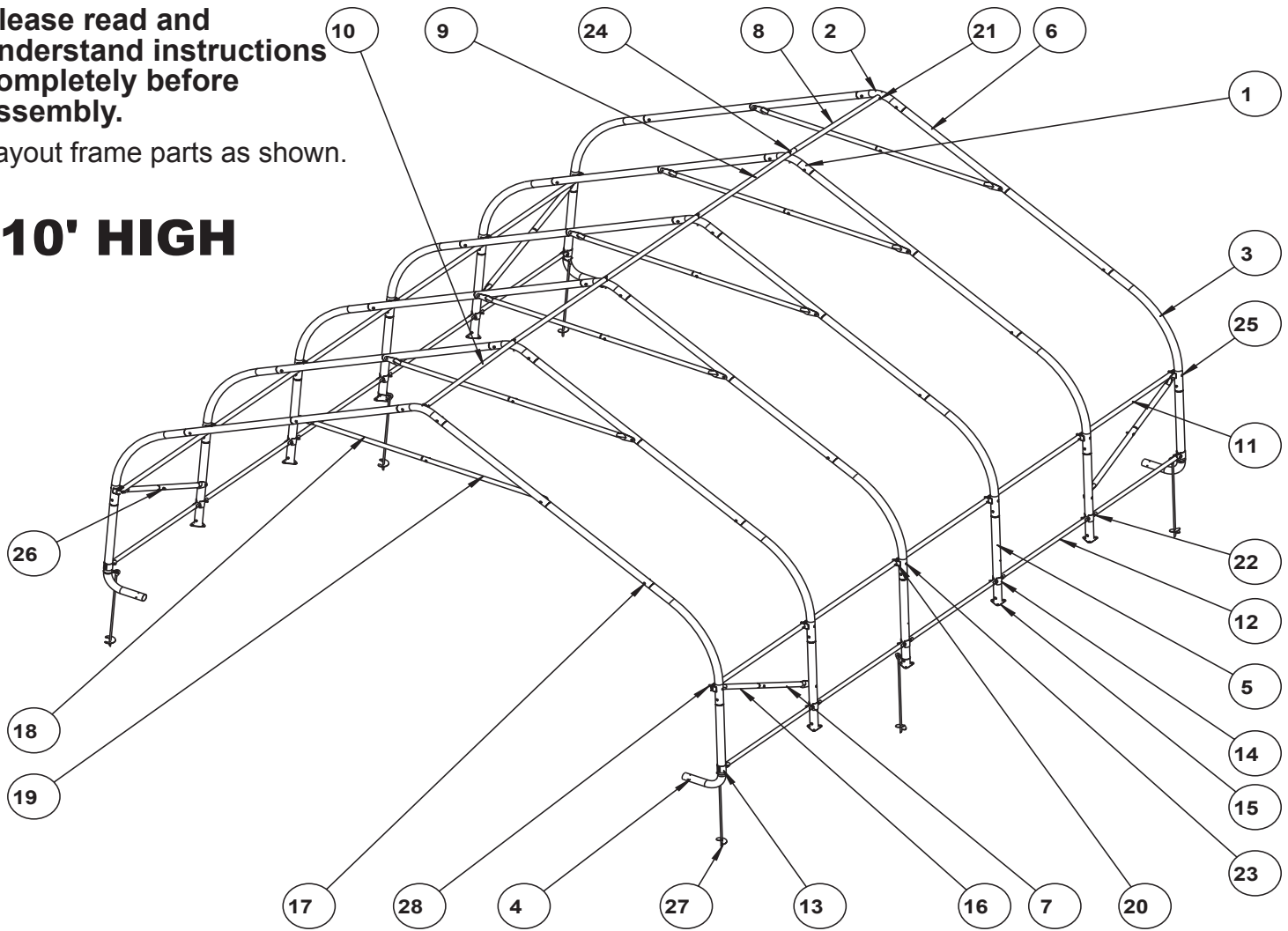
18'W x 10' or 12'H Peak Style Frame

105133

Please read and understand instructions completely before assembly.

Layout frame parts as shown.

10' HIGH



28	16	PLASTIC CAP 5/16"	11150
27	6	ANCHOR, AUGER 3"X30" WITH CABLE & CLAMP	00822
26	108	NUT, HEX 5/16-18	00690
25	4	BOLT, CARRIAGE 5/16-18 X 4"	11134
24	4	BOLT, ROUND HEAD 5/16 X 4 1/2"(TOP RAIL)	11133
23	8	BOLT, CARRIAGE, 5/16-18X4 1/8"LONG	800454
22	20	BOLT, 5/16 X 2 -1/4 (COVER RAIL CLAMP)	11130
21	12	BOLT, LADDER, 5/16" X 2"LONG	00648
20	12	SHELTERLOCK ANTI-LOCK DEVICE 60X38MM	800372
19	6	TRUSS PIPE, PLAIN END 38XT1,2X1099,6 GRY	800404
18	6	TRUSS PIPE, SWG END 38XT1,2X1183,3 GRY	11005
17	60	BOLT, 5/16X2 3/4 (FRAME CONNECTIONS)	11131
16	4	WIND BRACE, 28.6"L, SWG	11093
15	8	BASE FOOT	11270
14	16	4 WAY COVER RAIL CLAMP	11107
13	8	3 WAY COVER CLAMP	11106
12	10	COVER RAIL 45" PLAIN ENDS 2 HOLES	11105
11	2	CROSS RAIL, 1.66 DIA X 48 1/2	11104
10	1	CROSS RAIL SWEDGED, 48 1/2"L X 1 1/2"DIA	11103
9	11	CROSS RAIL, 1.66 DIA X 69	11102
8	1	CROSS RAIL, 1 3/8 DIA X 46 5/8	11101
7	4	WIND BRACE, 31.3"L	11095
6	24	RAFTER PIPE, 60XT1.8XL1143, SWG 2H GRY	800401
5	8	SIDE LEG	11019
4	4	CORNER UPRIGHT W/LEG	11016
3	12	MIDDLE BENT PIPE	11013
2	2	TOP 3 WAY	11136
1	4	TOP BEND	11135
ITEM	QTY*	DESCRIPTION	PART NO.

*NOTE: Part Quantities based on 20' L shelter.

ATTENTION:

**FOR MISSING OR
REPLACEMENT PARTS
OR QUESTIONS,
PLEASE CONTACT**

**CUSTOMER SERVICE:
1-800-524-9970
CANADA 1-800-559-6175**



www.shelterlogic.com
150 Callender Road
Watertown, CT 06795

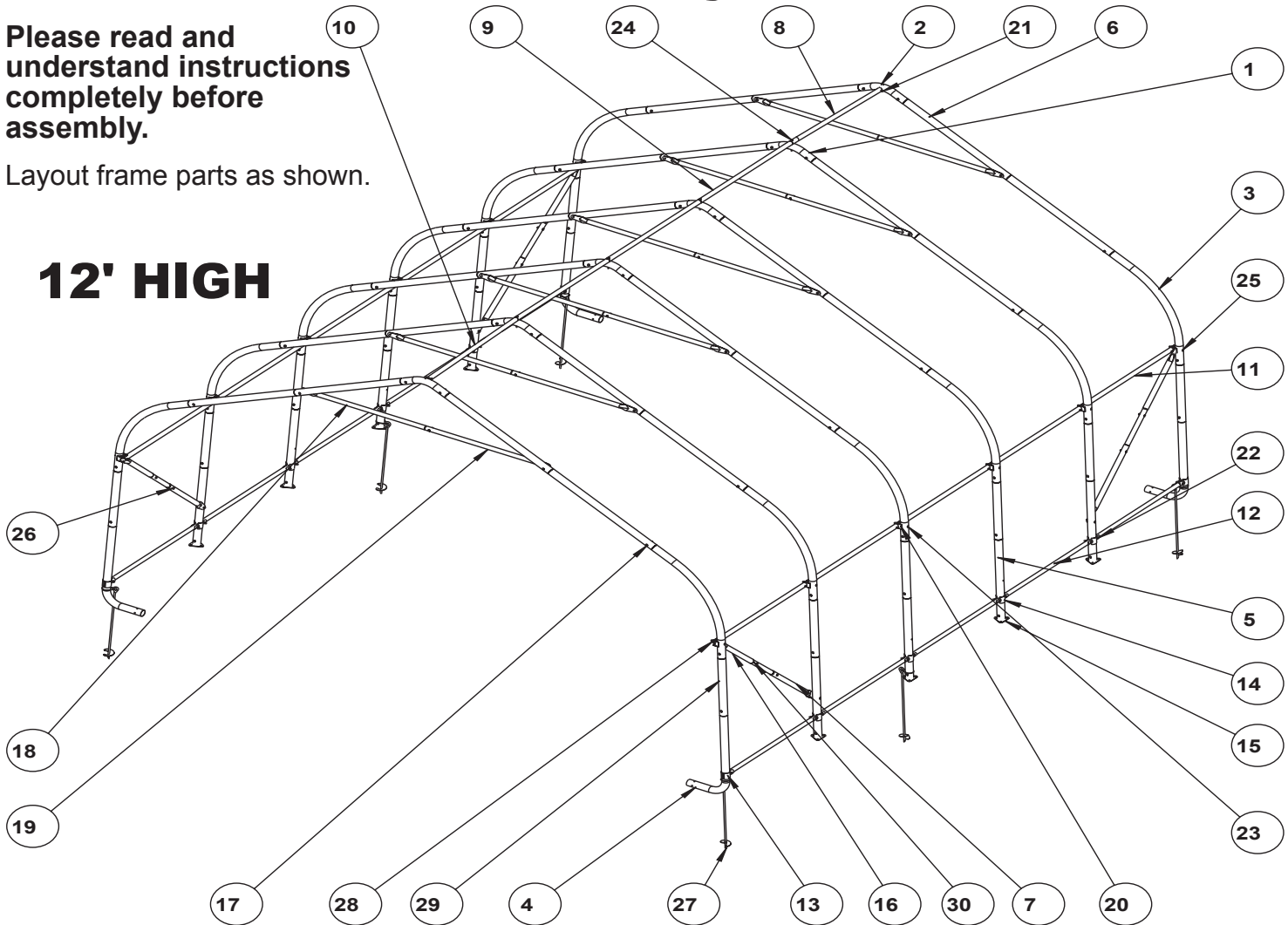
18'W x 10' or 12'H Peak Style Frame

105133

Please read and understand instructions completely before assembly.

Layout frame parts as shown.

12' HIGH



ITEM	QTY*	DESCRIPTION	PART NO.
30	4	EXT.TUBE STRT 17.4"X1.5", 1 SWDG 2 H	800053
29	12	EXT.TUBE STRAIGHT28"X2.375", 1 SWDG 2 H	04551
28	12	PLASTIC CAP 5/16"	11150
27	6	ANCHOR, AUGER 3"X30" WITH CABLE & CLAMP	00822
26	124	NUT, HEX 5/16-18	00690
25	4	BOLT, CARRIAGE 5/16-18 X 4"	11134
24	4	BOLT, ROUND HEAD 5/16 X 4 1/2"(TOP RAIL)	11133
23	8	BOLT, CARRIAGE, 5/16-18X4 1/8"LONG	800454
22	20	BOLT, 5/16 X 2 -1/4 (COVER RAIL CLAMP)	11130
21	16	BOLT, LADDER, 5/16" X 2"LONG	00648
20	12	SHELTERLOCK ANTI-LOCK DEVICE 60X38MM	800372
19	6	TRUSS PIPE, PLAIN END 38XT1,2X1099,6 GRY	800404
18	6	TRUSS PIPE, SWG END 38XT1,2X1183,3 GRY	11005
17	72	BOLT, 5/16X2 3/4 (FRAME CONNECTIONS)	11131
16	4	WIND BRACE, 28.6"L, SWG	11093
15	8	BASE FOOT	11270
14	16	4 WAY COVER RAIL CLAMP	11107
13	8	3 WAY COVER CLAMP	11106
12	10	COVER RAIL 45" PLAIN ENDS 2 HOLES	11105
11	2	CROSS RAIL, 1.66 DIA X 48 1/2	11104
10	1	CROSS RAIL SWEDGED, 48 1/2"L X 1 1/2"DIA	11103
9	11	CROSS RAIL, 1.66 DIA X 69	11102
8	1	CROSS RAIL, 1 3/8 DIA X 46 5/8	11101
7	4	WIND BRACE, 31.3"L	11095
6	24	RAFTER PIPE, 60XT1.8XL1143, SWG 2H GRY	800401
5	8	SIDE LEG	11019
4	4	CORNER UPRIGHT W/LEG	11016
3	12	MIDDLE BENT PIPE	11013
2	2	TOP 3 WAY	11136
1	4	TOP BEND	11135

*NOTE: Part Quantities based on 20' L shelter.

ATTENTION:

FOR MISSING OR REPLACEMENT PARTS OR QUESTIONS, PLEASE CONTACT

CUSTOMER SERVICE:
1-800-524-9970
CANADA 1-800-559-6175



www.shelterlogic.com
 150 Callender Road
 Watertown, CT 06795

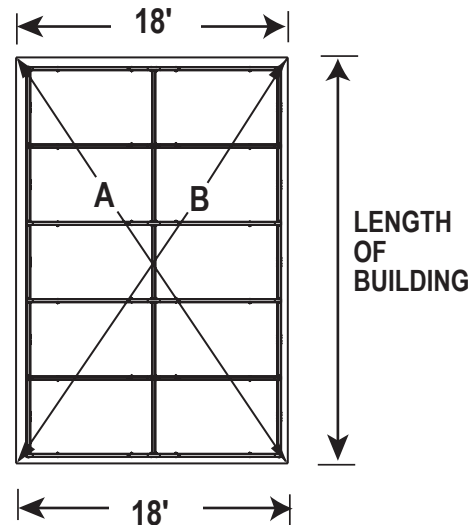
BASIC FRAME ASSEMBLY

NOTE FOR FRAME EXTENSION KIT: 18' x 20 x 10' is the base frame dimension. Your model may have more middle ribs than shown in the illustrations. You will receive one extra rib for every extra 4 feet of building length that you purchase. The basic frame assembly will remain the same. The cover will be the correct size for the length of the building ordered.

1. PLOTTING AND SQUARING UP THE FRAME:

A. Before building your shelter, you should choose a flat area on your property and plot your shelter. Stake out the area for the frame in the desired spot. Check that it measures 18' in width and the length would be determined by the size shelter you purchased. Tie a rope diagonally from corner to corner.

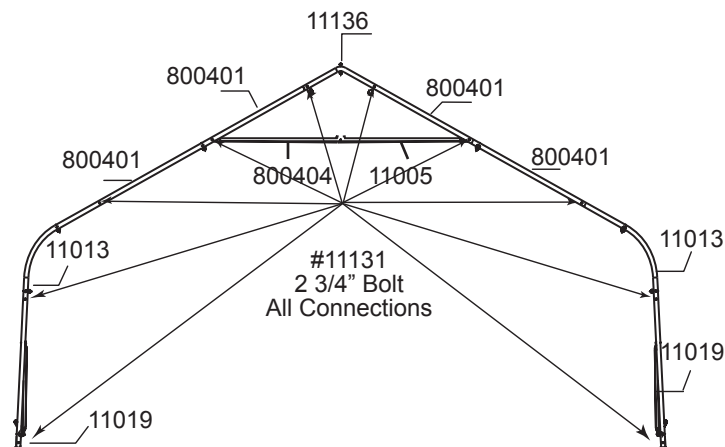
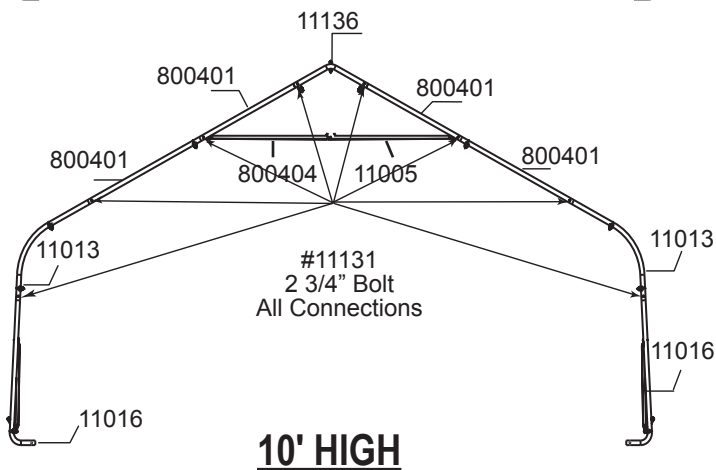
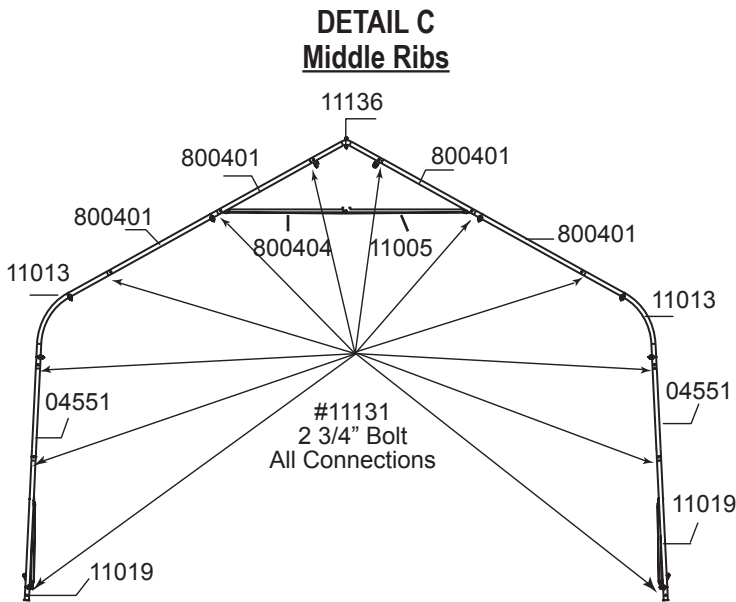
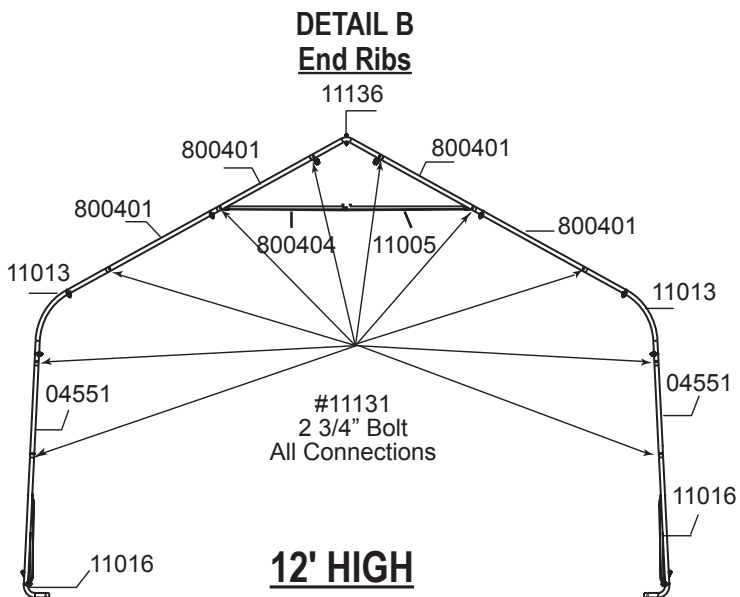
B. Measure across area, end to opposite end. See Detail A. The measurement A and B should be equal.



DETAIL A

2. ASSEMBLE END AND MIDDLE RIBS:

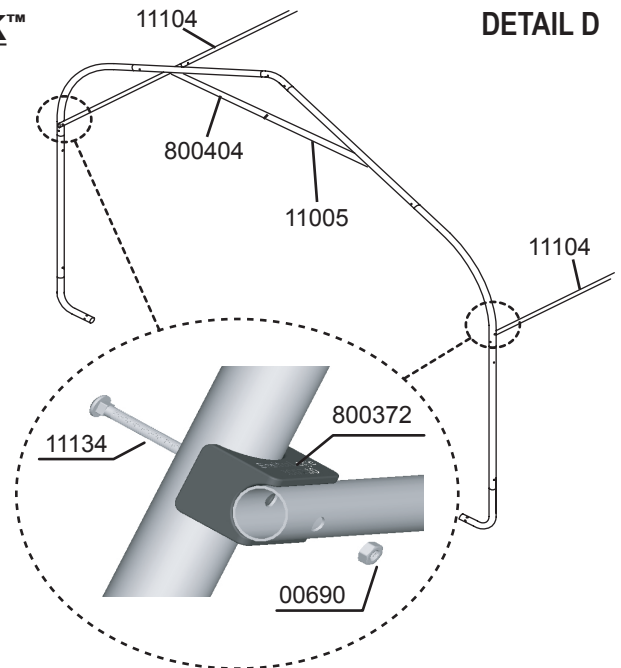
A. Assemble end and middle ribs as shown in Detail B and Detail C. Securely fasten all of the joints with the hardware indicated.



3. INSTALL SIDE RAILS AND SHELTERLOCK™ STABILIZER BLOCKS:

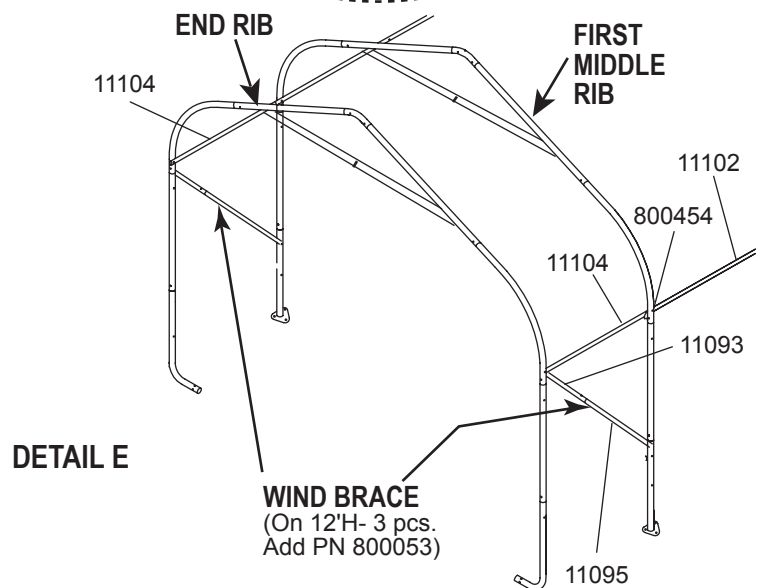
A. Place assembled first end rib in the staked area. Place the ShelterLock™ on the upright as shown in Detail D. From the outside of the rib insert the bolt through the upright and then through the ShelterLock™.

B. Place the plain end of the side rail over the bolt and nest it into the ShelterLock™. Install the nut onto the bolt and tighten. Repeat these steps for the opposite side and all of the remaining ribs. The side rails for the last rib will have two plain ends.



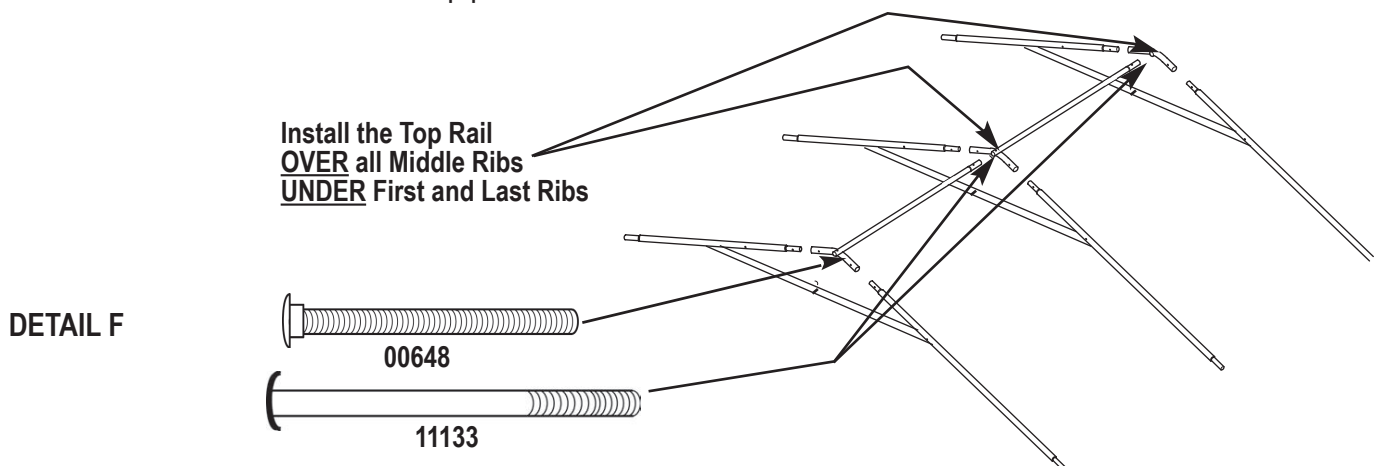
4. INSTALL WIND BRACES:

A. Attach wind brace between the end rib and the first middle rib as shown in Detail E. Bolts attached at the cross rails should be inserted facing inside the shelter.



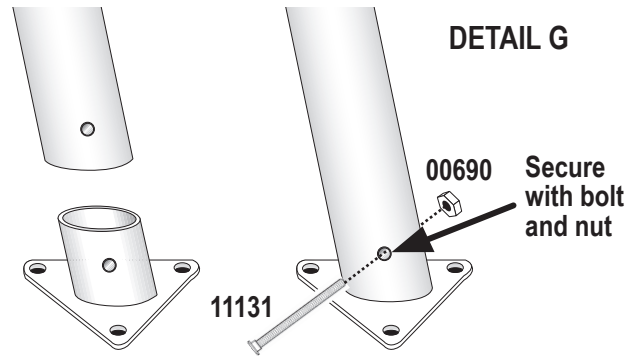
5. INSTALL TOP RAIL:

A. Place the first top rail under each end rib and secure it with a bolt as shown in Detail F. The same cross rail should lay on top of the all middle ribs. Secure the rails to the frame with the hardware indicated in Detail F. The top rail attached to the last rib will be installed under the pipe.



6. SECURE BASE FEET:

A. Slide leg pipe over the base feet, line up the holes in the pipe with the holes in the feet and secure with the hardware indicated in Detail G.



7. INSTALL AUGER ANCHORS:

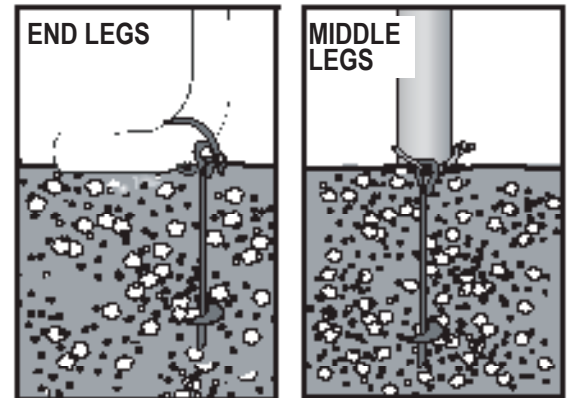
A. Anchors must be placed inside shelter. Start at the corners of the shelter. Insert a $\frac{3}{4}$ " pipe or steel rod, through the eyelet of the auger and screw the anchor into the ground. (If ground is too hard, dig a hole with a shovel or post hole tool.)

OPTIONAL: Fill with cement.

B. Space out the remaining anchors evenly along the length of the shelter. Screw the anchor into the ground until the eyelet is sticking out of the ground by 1-2" so it can be anchored to the legs.

C. Wrap the cable provided through the eyelet of the anchor and around the frame as indicated in Detail H. Secure the cable with the clamps provided.

D. Repeat for middle legs by attaching cable around foot plates.



8. ZIPPER DOOR AND OR END PANEL INSTALLATION:

A. Hold the end panel at the top center with the white inner surface facing the inside of the shelter (if you have a white shelter the inner surface has the visible weld seams).

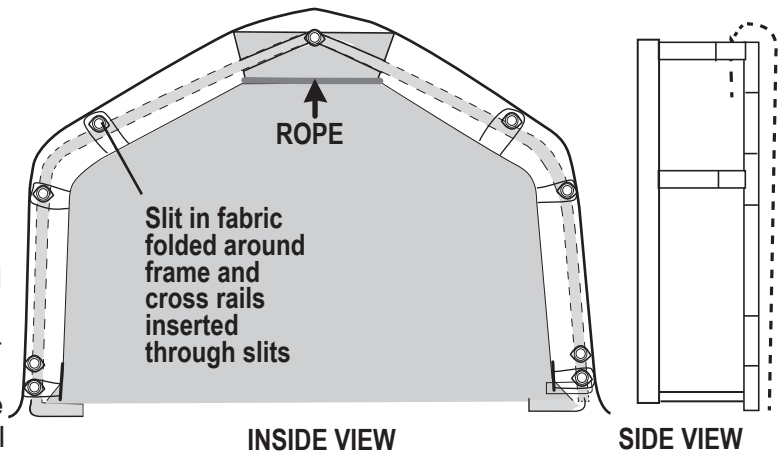
B. Unscrew top rail from the top bend and place the webbing in between. The top rail should pass through the loop of the webbing. Reconnect top rail onto rib and secure it with the screws indicated. See Detail I.

C. Remove the nut from the side rail and carefully pull the side rail away from the ShelterLock™ (pull away only enough to pass the webbing through the connection). **If this connection has the wind brace on it remove the wind brace end before pulling the side rail.** Replace the cross rail and wind brace. See Detail J. Replace the nut and tighten. Repeat this on the other side.

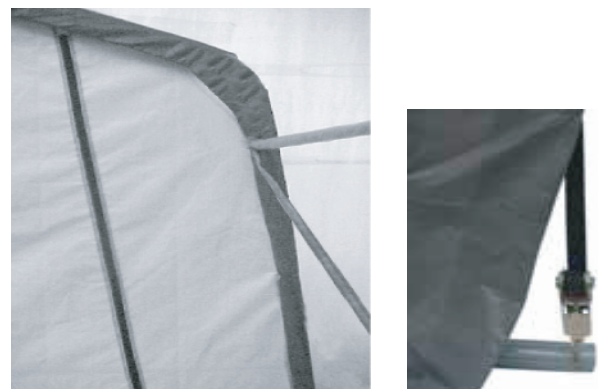
D. At the bottom, where the webbing exits the pocket on each side of end panel, pull webbing to remove the slack. Be careful not to pull the webbing through the other side of the panel.

E. Install the "S"-hook from the ratchet into the leg of the shelter. Insert the webbing into the spindle of the ratchet and pull tight. See Detail J. Wind the ratchet so that the webbing overlaps itself. Repeat this process on the other side of the panel. Position the end panel so that it is centered on the building.

F. Tighten the ratchets, alternating from one side to the other, until the end panel is tight. Repeat these steps on the other end of the building.



DETAIL I



DETAIL J

9. INSTALLING THE COVER ON THE FRAME:

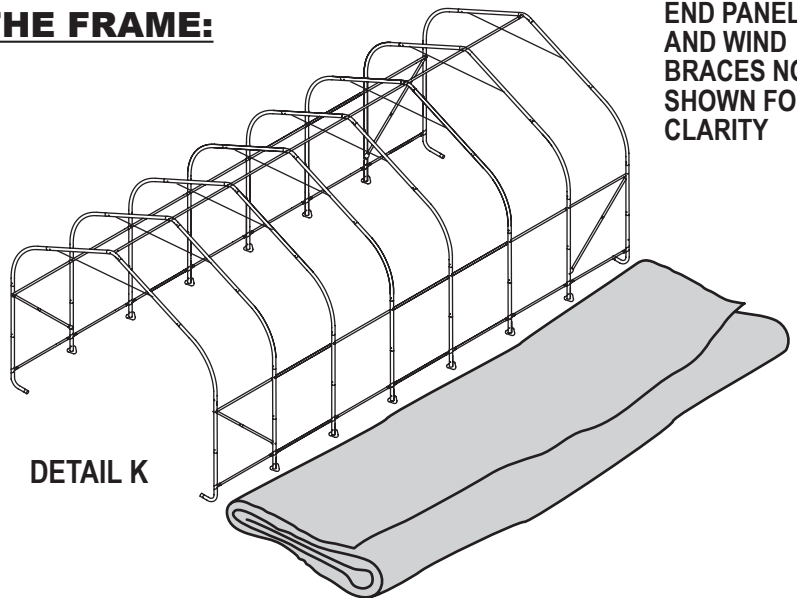
A. Lay the cover on the ground next to the frame with the inside of the cover (the side with the pipe pockets) facing down and the webbing on the front and rear of the corner of the building. Position the cover so that it is centered on the frame, front to back. See Detail K.

B. Fold over the side so the pipe pocket is now accessible. Insert a cover pipe into the pipe pocket slot, at the first middle rib from the front and the first middle rib from the rear. Some of the pipe will be exposed. For long buildings it may be necessary to use additional pipes in the middle. See Detail L. Remove pocket pipe to install later.

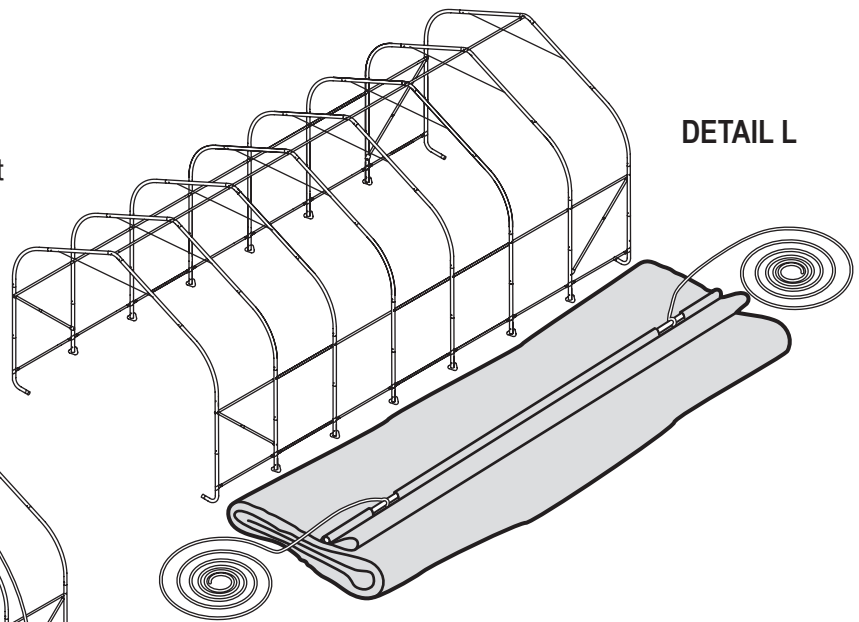
C. Tie the rope on each of the exposed pipes and throw the other end of the rope over the frame. See Detail M.

D. Move to the other side of the frame and pull the cover over the frame with the rope. This may require two or more people. See Detail N. Check that the Logo reads upright as shown.

END PANELS
AND WIND
BRACES NOT
SHOWN FOR
CLARITY

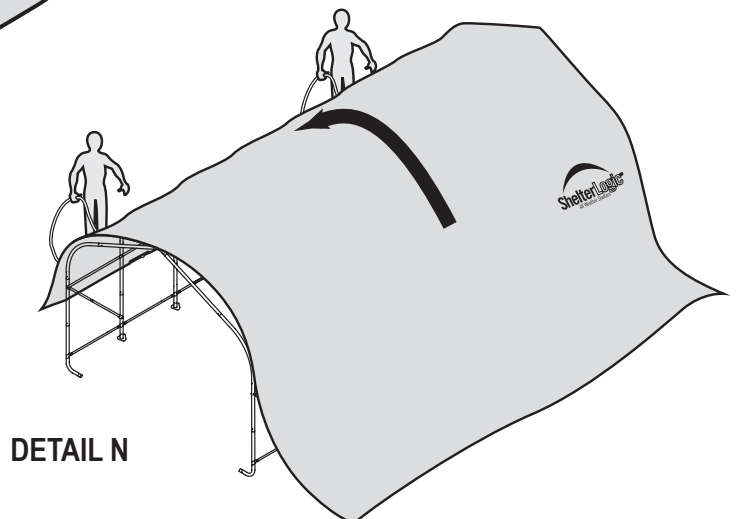
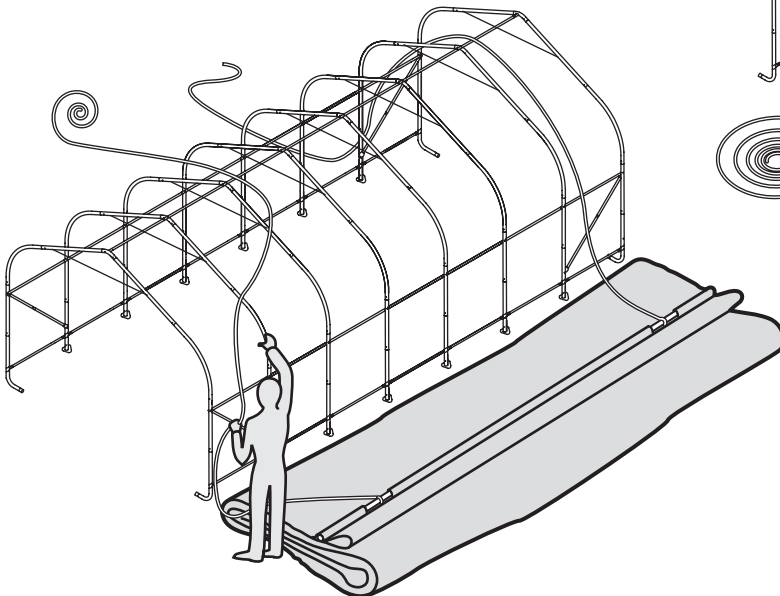


DETAIL K



DETAIL L

DETAIL M



DETAIL N

NOTE: CHECK THAT YOUR COVER IS CORRECTLY PLACED ON THE FRAME.

The ShelterLogic® logo should line up on the left front and right rear corners near the top rail. If the logo is not legible, the cover has not been put on the frame correctly.

10. SECURING YOUR COVER:

A. Install the “S”- hook from the ratchet assembly into the legs of the shelter. Pull the webbing carefully to remove the slack from the cover. Do not pull the webbing through the opposite side of the cover.

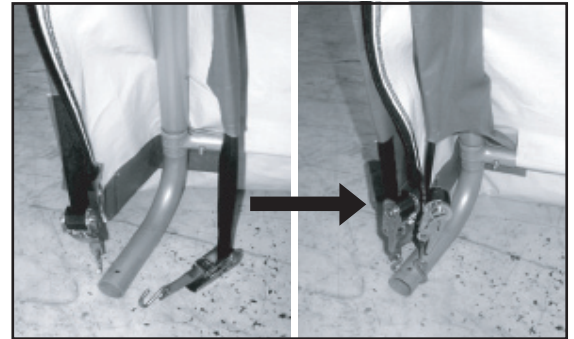
B. Insert the webbing through the spindle of the ratchet and pull tight. See Detail P. Wind the ratchet until the webbing overlaps itself. Repeat these steps on the opposite side, then repeat this on the back side of the shelter.

C. When all of the corners are secured, adjust the cover front to back so that it is centered. When the cover is centered, tighten all of the ratchets. Do this in an “X” pattern to be sure it is tightened evenly. See Detail O.

D. Install the bottom cover rail (11105) by inserting it into the pipe pockets on each side of the cover. Attach 3 and 4-way clamps with bolts as shown in Detail P.



OUTSIDE
CORNER
VIEW
OF LEG
BEND



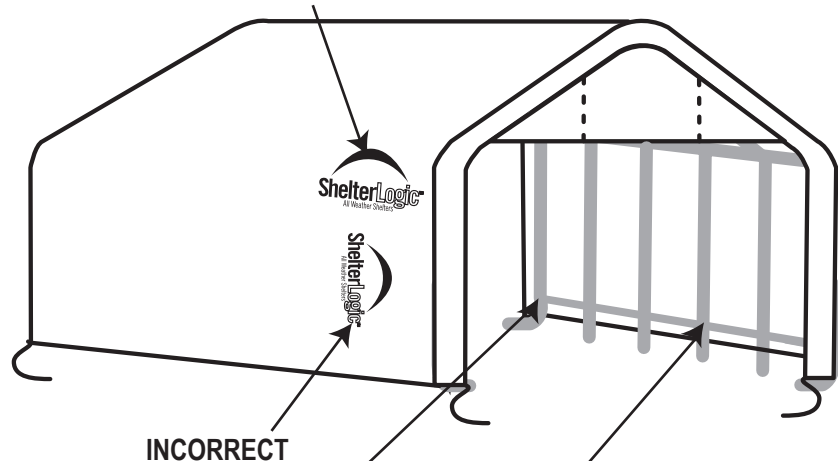
DETAIL O

DETAIL P

CORRECT

NOTE: CHECK THAT YOUR COVER IS CORRECTLY PLACED ON THE FRAME.

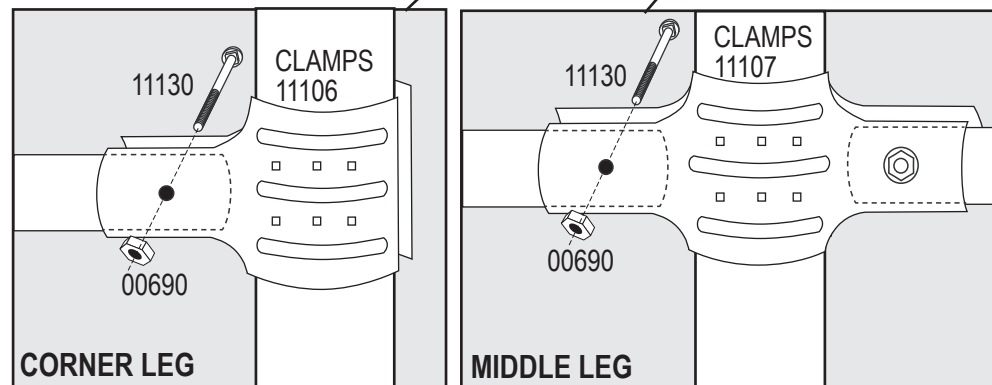
The ShelterLogic® logo should line up on the left front and right rear corners near the top rail. If the logo is not legible and positioned as shown as “incorrect”, the cover has not been put on the frame correctly.



INCORRECT

Cover Tightening Tip

Check and tighten Ratchets and Cross Rails monthly to ensure the cover is tight.



WARNING: Serious injury to persons or property could result if cover is installed and shelter is not completed and is left unattended. Shelter must be securely anchored until completed.