

# 18X40 Model #26764 PREMIUM INDUSTRIAL CANOPY

Please read instructions completely before assembly



### Before You Start

- 2 or more persons recommended to assemble
- Estimated assembly time = 2 hours

	Description	Qty.	Part #
	71.4" Swedged Rafter Poles	14	802105
	76" Swedged Leg Poles	14	10043
	77.4" Cross Poles	18	10044
	(Top Bend, shallow bend) 3-Way Frame Connectors	2	10046
	4-Way Frame Connectors	5	10048
	(Side Bend, sharp bend) 3-Way Frame Connectors	4	10045
	4-Way Frame Connectors	10	10047
	38.5" Swedged Rafter Poles	14	802104
	Truss	7	802103
	Bolts 1/4" x 2 1/2"	28	10017
	Nuts 1/4"	14	1010
	Wing Nuts	14	7000
	Twist Tite™ Set (bungee & S hook)	4	10056
	Bungee Cords	48	10066
	All-Weather Cover	1	10179
	Long Pins w/rings 1/4" x 2 7/8"	14	10052
	Short Pins w/rings 1/4" x 2 1/4"	10	10051
	Foot Plates	14	10050
	Anchors	14	10431

### Recommended Tools

- Safety Glasses
- Tape Measure
- Ratchet with 7/16"
- Adjustable wrench
- Ladder
- Rubber Mallet



800.524.9970  
www.shelterlogic.com

150 Callender Road  
Watertown, CT 06795

*Manufactured Under  
U.S. Patents  
D415,571 D409,310  
D430,306 D414,564  
Other Patents Pending*

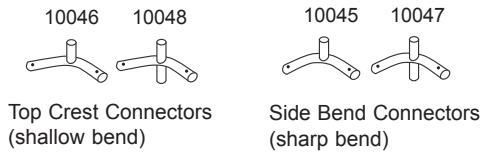
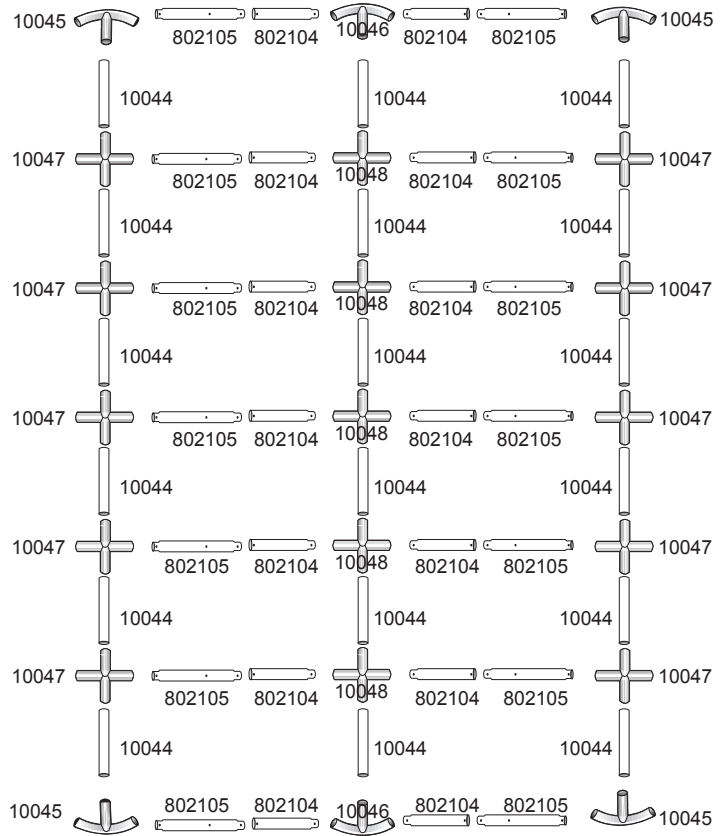
### ATTENTION: PINS

Long Pins secure feet plates to legs.  
Short Pins secure legs to side bends.

Pins are for legs and feet only, and are NOT needed for any other part of the frame.

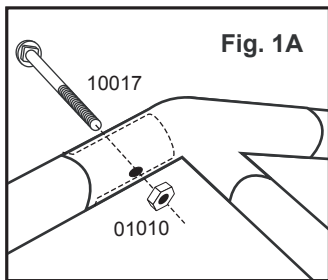
# 1. Frame Assembly

Assembly is easiest if you layout all parts as shown. There are (14) #802105 Rafter Poles, they are swedged on both ends. (14) #802104 Rafter Poles, they are swedged end. The (18) #10044 Cross Poles do not have swedged ends. It is very important that you determine which of the 3 & 4 way connectors are meant for the sides and which are for the crest.



# 2. Assemble Roof

Start with center, Fig. 1, using layout shown in diagram above. Bolt roof assembly together as shown in Fig. 1A. Assemble each side of the roof as shown in Fig. 2. Install #802103 truss as shown in Fig. 2A.



**Note:** Install all carriage bolts with nut toward center of frame.

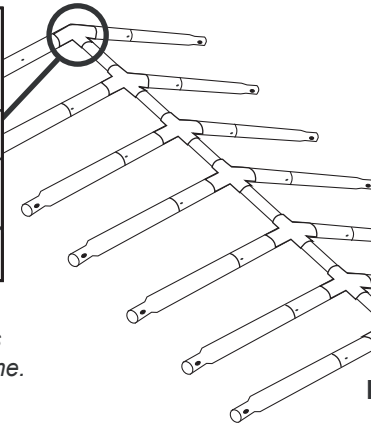


Fig. 1

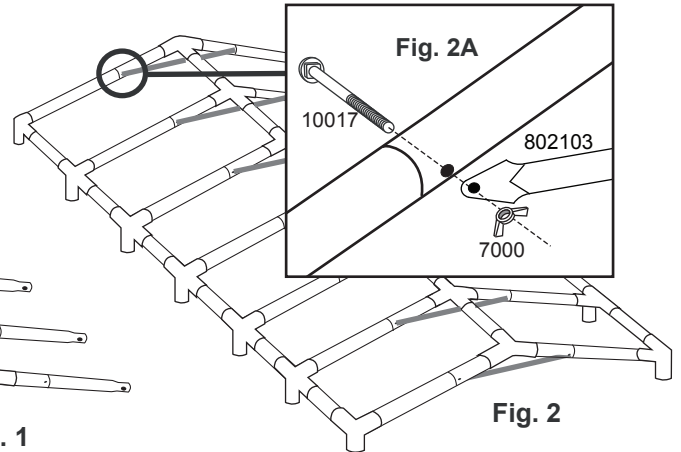
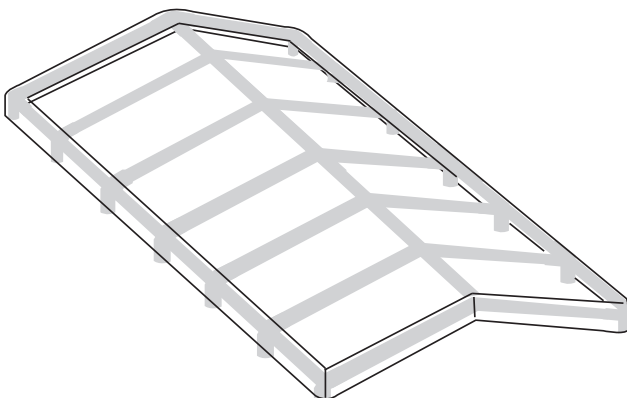


Fig. 2

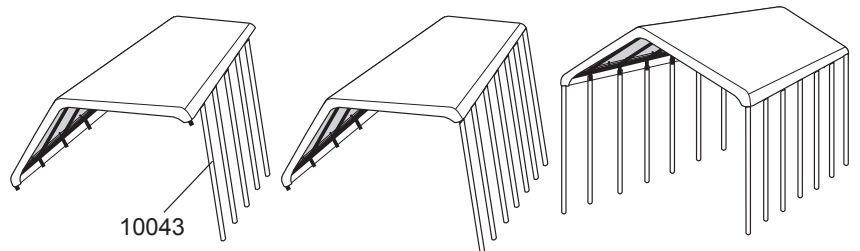
# 3. Place Cover

Place cover over frame so that the grommeted portion is face down, this allows the valance to wrap around and cover the frame eaves.



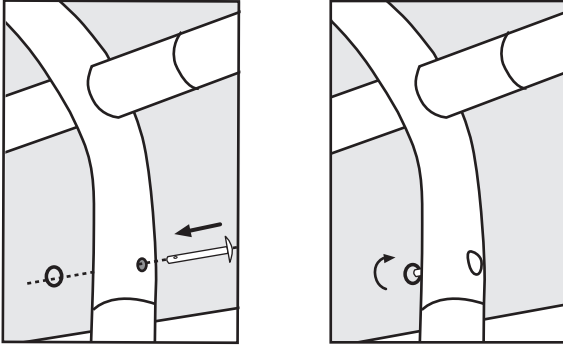
# 4. Attaching Legs

Insert #10043 Leg Poles on one side of the frame, swedged end up, then the end legs on that same side. Repeat for the other side. Now you can secure the legs to the side bend connectors and secure the cover with bungee cords.



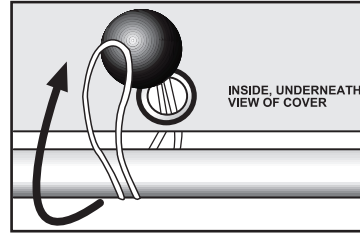
## 5. Securing Legs

Short Pins are used to secure legs to side bend connectors.



## 6. Securing Cover

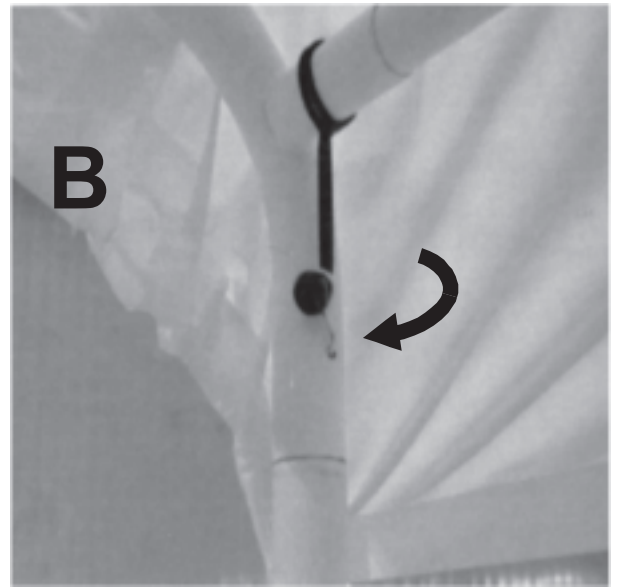
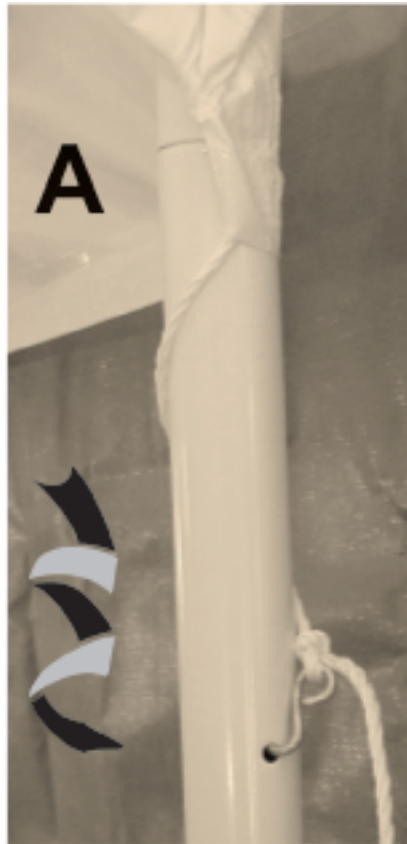
Working inside, under-neath the unit, begin with the corners. Insert the cord of the bungee-ball through the grommet and around the Cross Pole, then around the ball. By doing this from the inside it will hide the bungee-ball and give a cleaner look. When all 4 corners are secured, work from side to side to get an even fit.



## 7. Twist Tite™

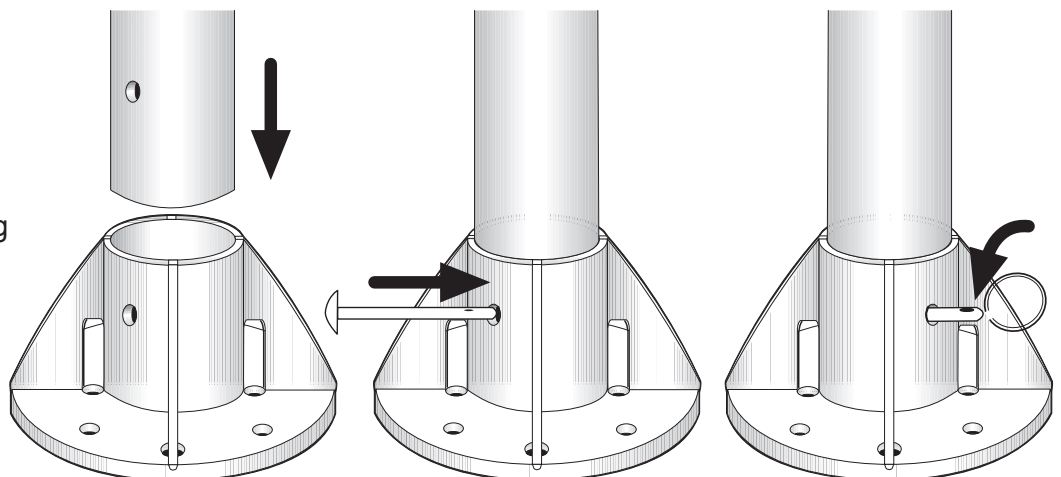
**7.1** To get your cover to fit snugly over the frame, "twist" each corner leg pole equally until the cover becomes very tight. (picture A). Make sure to line up the hole in the top of the leg with the hole in the corner side bends.

**7.2** Picture B To keep the leg in place, wrap the bungee cord around the cross rail, insert "S" hook into lined up hole of leg pole and 3 way connector. Do this for each corner.



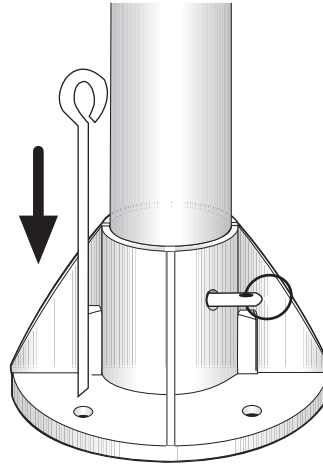
## 8. Attaching & Securing base Feet

Insert Base Feet Plates onto bottom of legs, be sure to line up the pre-drilled hole in the leg with the pre-drilled hole in the base foot. Insert long pins all the way through leg and foot, to other side, secure with ring.



## 9. Anchoring

Locate a suitable location to place one anchors as shown in the illustration into each of the base feet until the round end of the anchor touches the base feet.



## **WARNINGS, CAUTIONS, CARE & CLEANING**

Please read these instructions entirely before beginning assembly.

### ***Warning!***

Prior to installation, check all local and municipal laws regarding these shelters.

Choose your shelter's location carefully.

Check for overhead utility lines, branches, etc.

Do NOT install new roofs or other structures that may shed snow or ice onto shelter.

Do NOT hang objects from the roof structure or cables.

Do NOT smoke or use open flame devices near the shelter.

Do NOT store flammable liquids (eg. Gasoline, Kerosene, etc.) in your shelter.

Do NOT expose top or sides to open fire or flame.

Do NOT use barbeque grills, fire pits, deep fryers or smokers inside this shelter.

Be sure to remove any accumulated snow from roof. Care should be used when removing snow to prevent punctures being made in the cover with rakes, shovels, etc.

Bungee cords are under extreme tension. Please use caution when applying as they may snap out of your hand and cause injury. Safety goggles must be worn when securing bungees.

### ***Caution!***

This shelter is intended to protect against the effects of sun, rain, tree sap, bird droppings, light snow, etc.

It is not designed to hold the loads that can accompany heavy wind, deep snow or ice storms.

Proper anchoring is the responsibility of the user.

Please read and understand all warnings prior to permanent installation.

Any canopy that is not anchored securely or properly will fly away. We will not be responsible for any canopy that blows away.

Proper anchoring is your responsibility. Anchors are sold separately and are not included with this product.

Your canopy's cover can be quickly removed if needed when you know that a strong or severe weather front is approaching.

### ***Care & Cleaning***

Bungee cords are under extreme tension. Please use caution when applying as they may snap out of your hand and cause injury. Safety goggles must be worn when securing bungees.

During the first few months of use, it will be necessary to tighten the cover a few times.

Be sure that the cover is kept tight, loose fabric will deteriorate quickly.

Do NOT apply any "Protect & Shine" type products to the cover and ends or use any harsh or abrasive cleaners. The cover may be cleaned with mild soap and water.