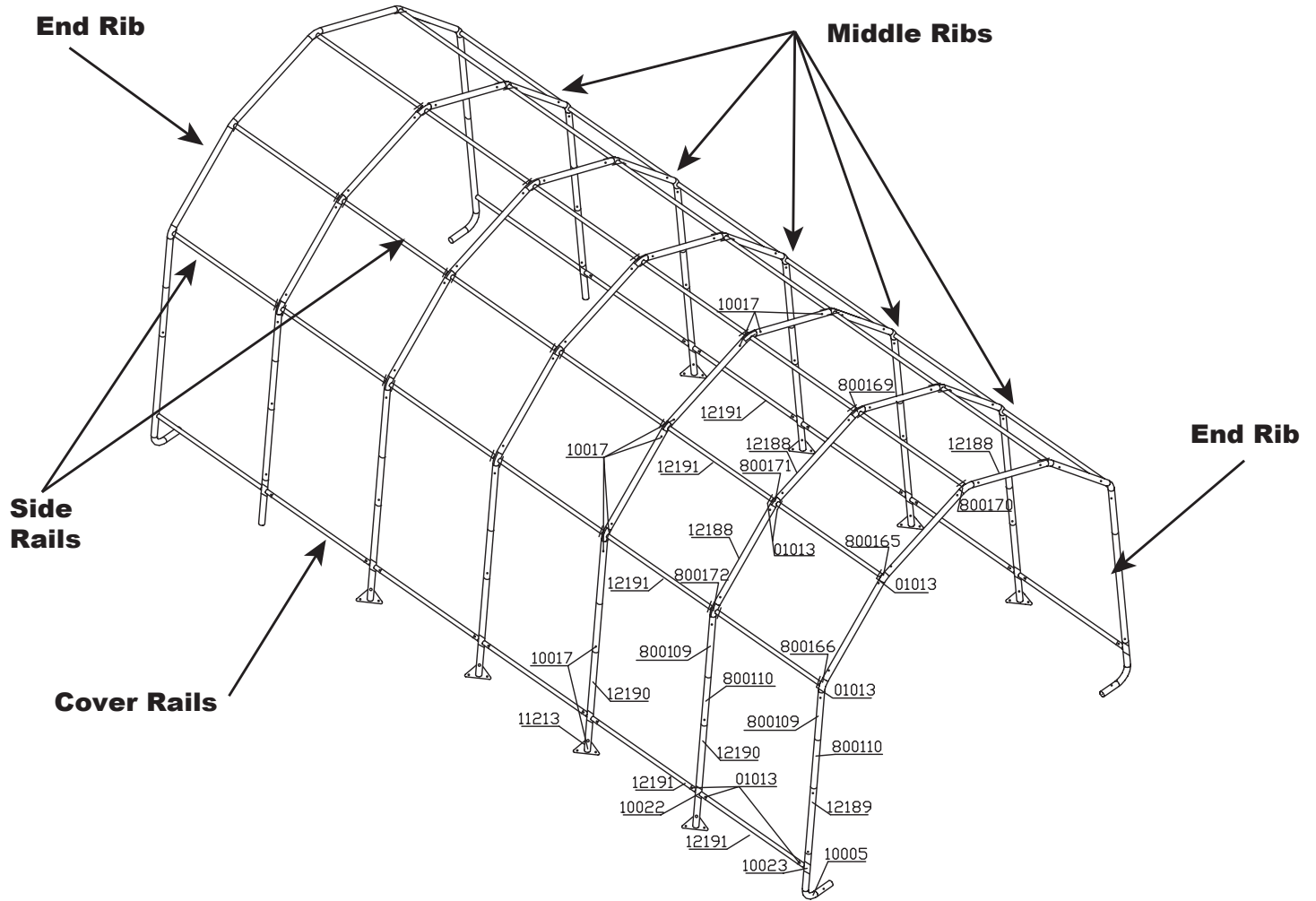


12'W x 11'H Barn Style Frame Assembly

Please read and understand instructions completely before assembly.

Layout out frame parts as shown and match up items with quantity to make sure no parts are missing.



ATTENTION:
FOR MISSING OR
REPLACEMENT PARTS
OR QUESTIONS,
PLEASE CONTACT

CUSTOMER SERVICE:
1.800.524.9970
CANADA 1.800.559.6175


ShelterLogic™
www.shelterlogic.com
150 Callender Road
Watertown, CT 06795

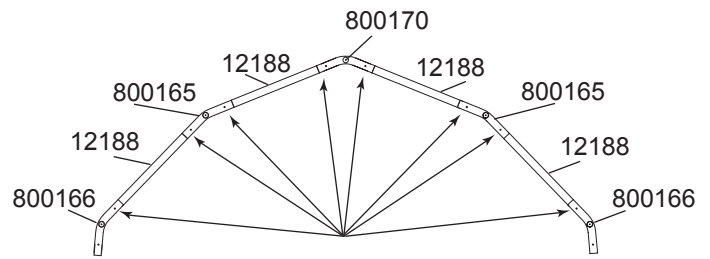
Basic Frame Assembly

STEP 1: ASSEMBLE END RIBS Fig. 1

Fit together roof rib using the following parts:

- (1) #800170 3-Way Top Connectors
- (4) #12188 Rafter Poles
- (2) #800165 3-Way Side Connectors
- (2) #800166 3-Way Side Connectors Using
- (8) #10017 1/4" x 2 1/2" Bolts and
- (8) Nuts securely fasten these tube.

Fig. 1



Use #10017
1/4" x 2 1/2" Bolts
2 End Ribs

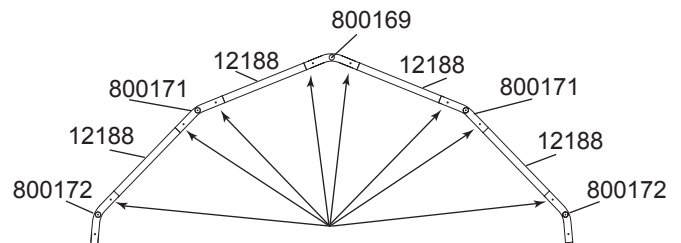
Fig.1

STEP 2: ASSEMBLE MIDDLE RIBS Fig. 2

Fit together roof rib using the following parts:

- (1) #800169 4-Way Top Connectors
- (4) #12188 Rafter Poles
- (2) #800171 4-Way Side Connectors
- (2) #800172 4-Way Side Connectors Using
- (8) #10017 1/4" x 2 1/2" Bolts and
- (8) Nuts securely fasten these tube. Lay these ribs on the ground at the rear of your shelters designated location.

Fig. 2



Use #10017
1/4" x 2 1/2" Bolts
Middle Ribs

Fig.2

STEP 3: ASSEMBLE ROOF FRAME Fig. 3

Using #12191 Cross Poles,
#01013 1/4" x 2" Bolts and
#01010 1/4" Nuts to connect these ribs.

Fig. 3

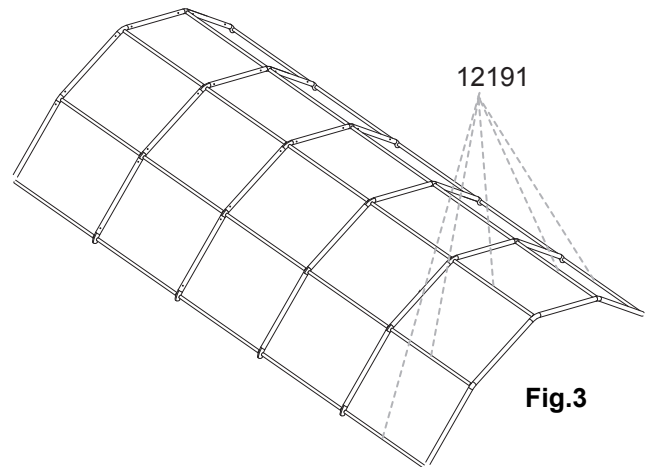


Fig.3

STEP 4: INSTALL LEGS Fig. 4

With help lift one side of the rafter assembly and insert leg assemblies as shown in Fig. 4. When all of the legs are installed on one side of the rafter assembly, repeat the same process on the other side.

Note: Bolts are required for these connections.

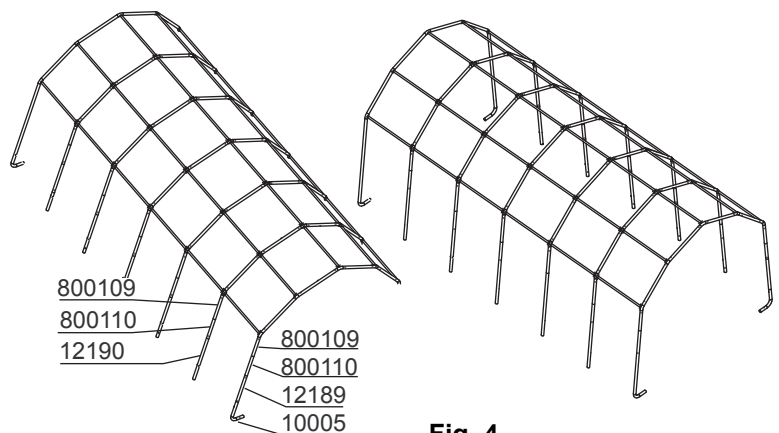


Fig. 4

STEP 5: INSTALL COVER RAIL

Fig. 5, Fig. 6

Attach the #12191 cross rails using the 3-Way and 4-Way cover rail clamps ar-ound the uprights and losely fasten with 1/4" x 2" Bolts and Nuts. Check the rails are evenly spaced above the ground on both sides. Push down on the connect-ors one at a time to tension the cover and tighten the bolts to hold tightly. Fig. 5 & Fig. 6.

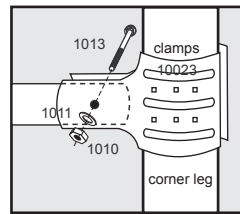
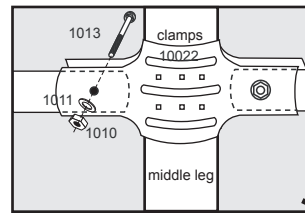


Fig.5

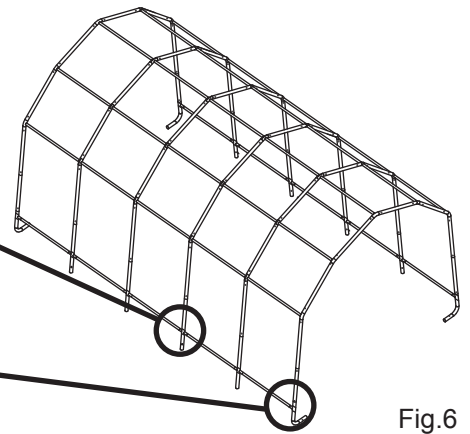


Fig.6

STEP 6: ATTACH & SECURE BASE FEET

Fig. 7

Depending on the model you have purchased, your base feet will either fit onto the outside of the leg poles, or slide inside the leg poles. After installing Base Feet Plates onto bottom of Middleleg Poles, be sure to line up the pre-drilled hole in the leg with the pre-drilled hole in the base foot. Insert 1/4" x 2 1/2" bolts all the way through leg and foot, to other side, secure with nuts. Fig. 7.

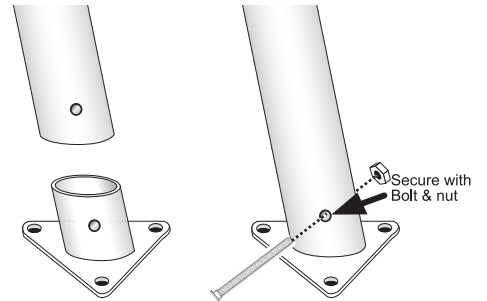


Fig. 7

STEP 7: INSTALL AUGER ANCHORS

Fig. 8

You will secure the anchors to the corner leg bends using the cable and clamp. Be sure to put cable through the hole in the corner leg bend, and through eye of anchor, secure with clamp. Repeat process attaching the remaining anchors to the middle ribs with the cable around the upright above the foot plate.

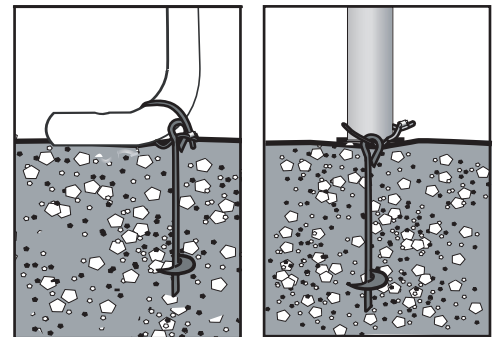


Fig. 8

Note: Anchors must be placed inside of shelter.

STEP 8: END PANEL INSTALLATION

Fig. 9, 10, 11

Starting from the peak, remove the cross pole from the 3-way top connector. Place exposed rope at the top of the panel over the 3-way connector and under the cross pole as shown in Fig. 9. Replace the cross pole. At each corner, remove the cross pole and fold the fabric around to the inside placing the 3-way socket through the opening in the fabric as shown in Fig. 10. Tighten the panel by inserting the "S" hooks into the holes in the corner legs, pulling and tying off as shown in Fig. 11. Repeat step 8 for another 2-zipper door.

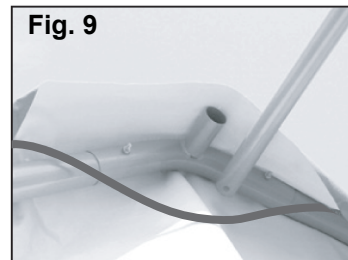


Fig. 9



Fig. 10



Fig. 11

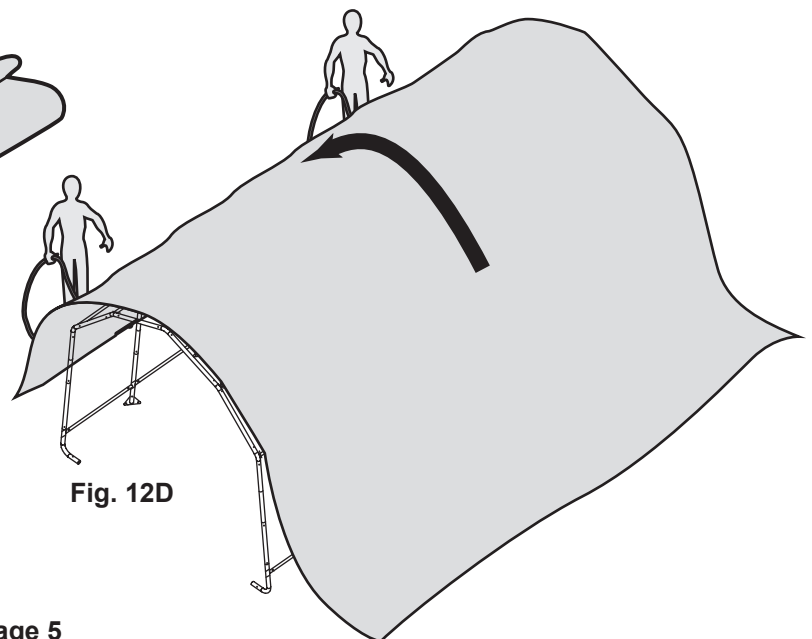
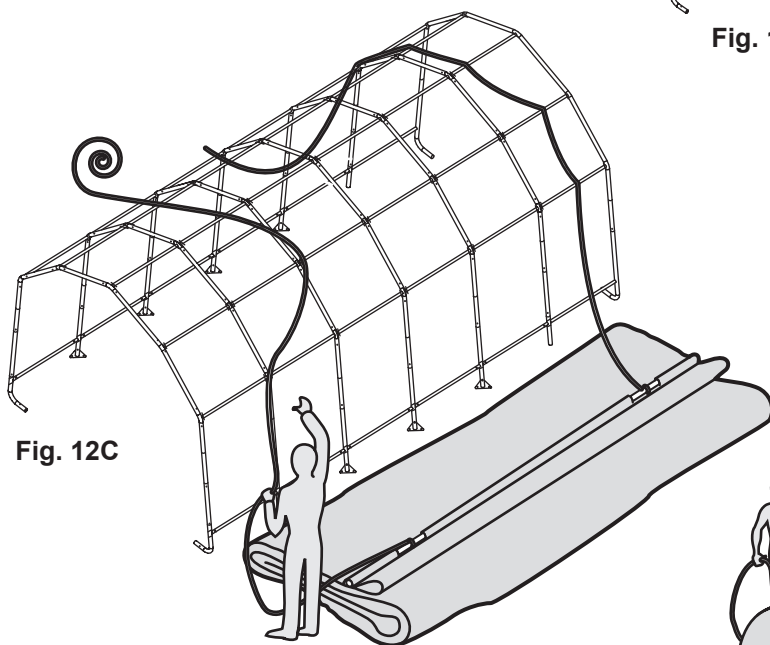
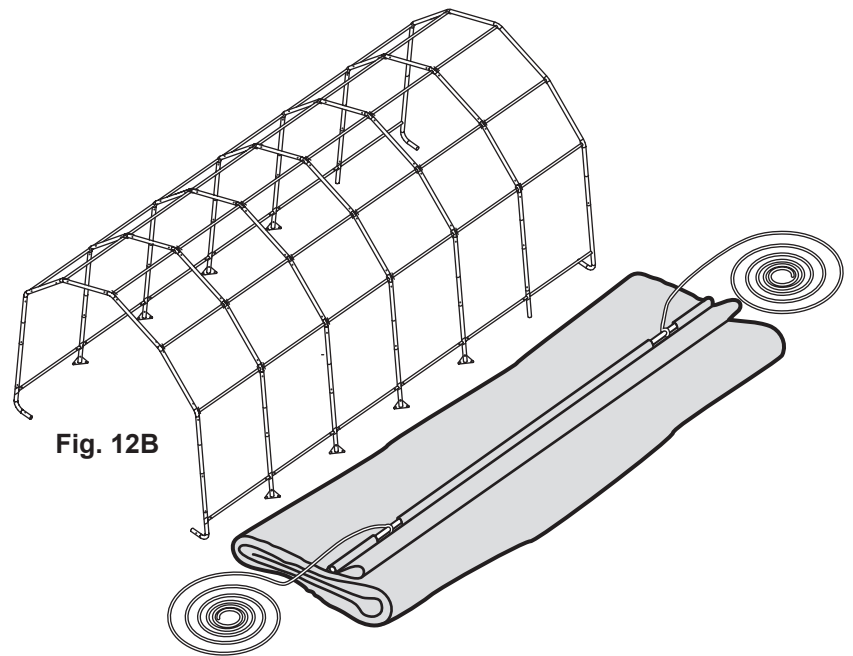
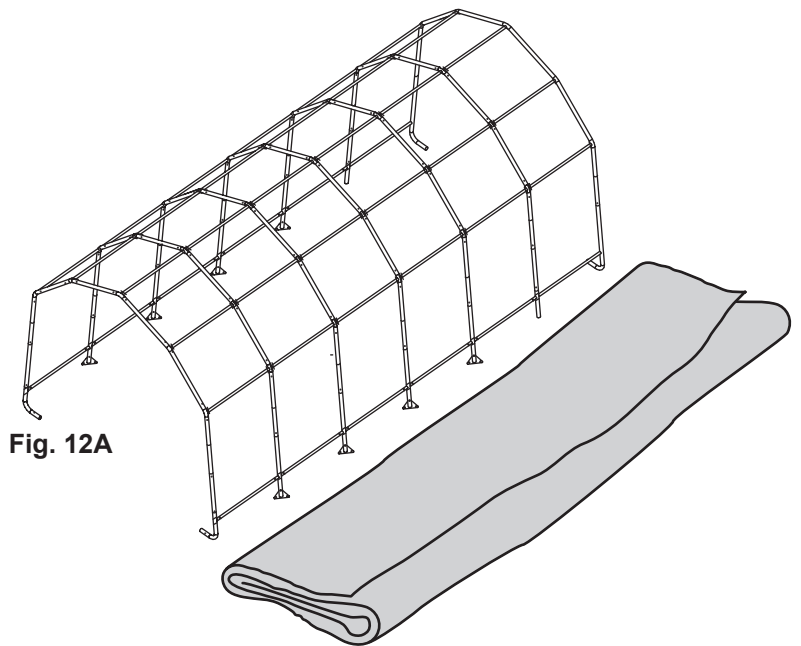
STEP 9: INSTALLING THE COVER ON THE FRAME: Fig. 12A, 12B, 12C & 12D

1. Lay the cover on the ground next to the frame with the inside of the cover (the side with the pipe pockets) facing down and the webbing on the front and rear of the corner of the building. Position the cover so that it is centered on the frame, front to back. Fig. 12A

2. Fold over the side closest to the frame so the pipe pocket is now accessible. Insert a cover pipe at the first middle rib from the front and the first middle rib from the rear so that it is inserted in the pipe pocket on both ends of the pipe but the center of the pipe is exposed. For long buildings it may be necessary to use additional pipes in the middle. Fig. 12B

3. Tie the rope on each of the exposed pipes and throw the other end of the rope over the frame. Fig. 12C

4. Move to the other side of the frame and pull the cover over the frame with the rope. This may require two or more people. Fig. 12D



STEP 10: SECURE YOUR COVER:

Fig. 13A, 13B, 14 & 15

Pull the cover over the frame so the webbing is at the front and rear of the frame and the internal pipe pocket runs along the bottom of the frame. Use the (4) ratchets as shown in Fig. 13A. Adjust the cover so there is equal overhand on the front and rear. With the webbing and ratchets, pull the cover snug but not tight. Remove the sliding cross rails from the lower part of the frame by removing the bolts from the half clamps, If the pipe pocket is not cut already, cut it about 2-3" from each side of the rafter pipe. Insert the sliding pipe into the pipe pocket and install half clamps again. When all of the pipes are re-installed, push down on the sliding pipe to tighten the cover over the frame. When the cover is pulled tight, secure the clamps in place. When all of the half clamps are secured tight, finish the (4) ratchets to make the final adjustment to the cover.

Outside Corner View

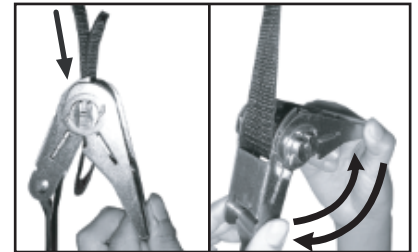
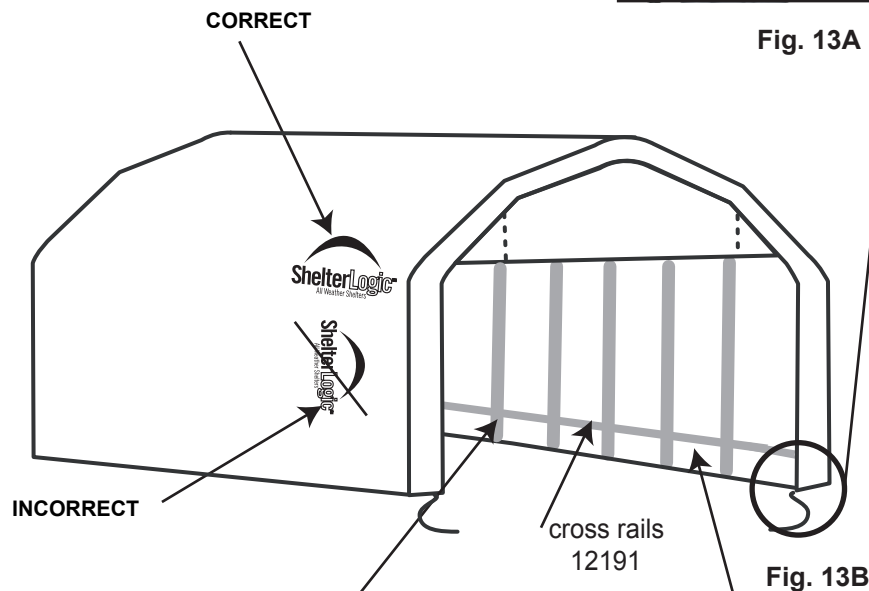
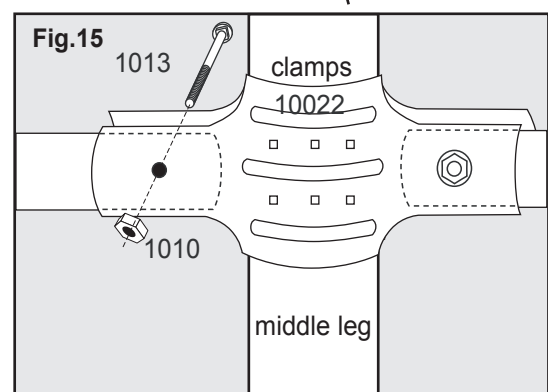
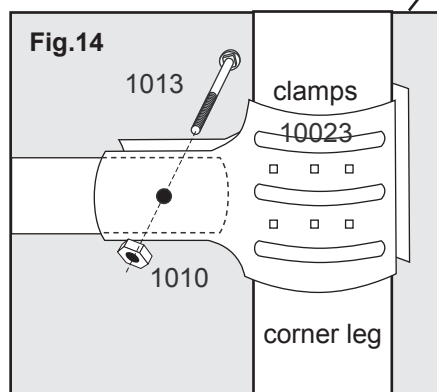


Fig. 13A

COVER TIGHTENING TIP
Check and tighten Ratchets and Cross Rails monthly to ensure the cover is tight.



IS YOUR COVER PULLED CORRECTLY ON THE FRAME? Fig. 13B



NOTE: ShelterLogic logo should line up on the left front and right rear corners near the top rail. If it is not legible and positioned as shown above as "incorrect", the cover has not been put on the frame correctly.

WARNING: Serious injury to persons or property could result if cover is installed and shelter is not completed and is left unattended. Shelter must be anchored down securely until completed.

WARNINGS, CAUTIONS, CARE & CLEANING

WARNING

Prior to installation, consult with all local and municipal codes regarding the installation of temporary shelters. Choose the location of your shelter carefully. Check for overhead utility lines, tree branches or other structures.

- Do NOT install near roof lines or other structures that could shed snow, ice, or excessive run-off onto your shelter.
- Do NOT install too close to other structures. A MINIMUM of 6 to 10 ft. is necessary between structures to allow for snow removal.
- Do NOT hang objects from the roof structure or support cables.
- Do NOT smoke or use open flame devices in or around the shelter.
- Do NOT store flammable liquids (gasoline, kerosene, propane, barbecue grills, fire pits, deep fryers or smokers inside the shelter).
- Do NOT use hard edged tools or instruments like rakes or shovels to remove snow. This could result in punctures in the cover.

CAUTION

1. PLEASE READ AND FULLY UNDERSTAND THE INSTALLATION DETAILS AND WARNINGS PRIOR TO FINAL INSTALLATION. IF YOU HAVE QUESTIONS IMMEDIATELY CALL THE CUSTOMER SERVICE NUMBER LISTED ON PG. 2.
2. This product is classified as a temporary fabric covered shelter and is intended to protect what is stored in it from basic environmental elements, including the effects of sun, rain, tree sap, bird and animal excrement and light snow. IT IS NOT DESIGNED TO HOLD THE LOAD FROM HIGH WINDS, HEAVY SNOW OR ICE STORMS.
3. Proper anchoring is the RESPONSIBILITY OF THE OWNER. Any shelter that is not anchored securely and properly has the potential to blow away in high winds. ShelterLogic cannot be held responsible for any shelter that blows away. NOTE: Your shelter's cover can be quickly removed and stored prior to severe weather conditions. If strong winds or severe weather is forecast in your area, we recommend that you remove the cover.

CARE & CLEANING

A tight cover will ensure longer life and performance. Inspect and retighten the ratchet tie-downs monthly as needed. Always maintain a tight cover. Loose fabric can accelerate deterioration of the cover.

Immediately remove any accumulated snow or ice from the roof structure with a broom, mop or other soft sided instrument.

Do NOT use "protect and shine" or harsh or abrasive products to clean the fabric cover. Mild soap and water is recommended to clean the fabric cover of your shelter.