



New Yorker Style Awning OWNER'S MANUAL & INSTALLATION INSTRUCTIONS

- ⚠ **WARNING:** Adult Assembly Required
- ⚠ **WARNING:** Assembly Kit Contains Parts With Sharp Points, Sharp Edges, and Small Parts That Can Present Choking Hazards to Children.
- ⚠ **WARNING:** Components Are Packed In Plastic Bags That are a Suffocation Hazard.

NOTE: Please inspect the parts for damage during shipping and/or for any missing items. If you suspect that there may be damage or a shortage, contact us and we will send replacement parts if needed. At this time, visualize how the components fit together and make sure that you have identified the various parts.

Models with Valance:

RN22, EN23, CN32, CN43, CN34, CN44, EN2442, EN12, EN1836, EN1230, EN1030, EN24, CN33, NY1618, NY1624, NY1630, NY1818, NY1830, NY2430, NY2436, NY3024, NY3030, NY3036, NY3048, NYCUSTOM

Awning size	Width in inches	Awning Size	Width to Inches
3	40.5	12	148.5
4	52.5	13	160.5
5	64.5	14	172.5
6	76.5	15	184.5
7	88.5	16	196.5
8	100.5	17	208.5
9	112.5	18	220.5
10	124.5	19	232.5
11	136.5	20	244.5

OUR AWNINGS ARE DESIGNED 4.5" WIDER THAN STANDARD WINDOW/DOOR OPENINGS SO THEY ANCHOR TO THE STUDS AROUND THE WINDOW OR DOOR. EXAMPLE: RR22-5 IS FOR 5'-0" WIDE WINDOW. IT MEASURES 64.5" WIDE, 31" TALL, (24" PLUS 7" VALANCE AND 24" DEEP (PROJECTION))

There are a variety of building wall surfaces, Awntech does not supply the hardware to install your awning. You will need to purchase installation hardware at your local hardware store. We have advised you on different surface applications below:

There are a variety of building wall surfaces, Awntech does not supply the hardware to install your awning. You will need to purchase installation hardware at your local hardware store. We have advised you on different surface applications below:

CONCRETE BLOCK WALLS: (1) 1/2" masonry bit with a 3/8" shank, (4-5) 5/16"x3" Masonry anchor bolts, 9/16" socket.

METAL BUILDINGS: (1) 2X6X8 #2YP (treated lumber) Cut into 12" blocks for the back side of the metal, (4-5) 5/16"x4" lag bolts, (4-5) 5/16" washer and 3/8" drill bit. Bolt through the washer, the bracket and the metal into wood blocks behind the metal.

ANY TYPE OF SIDING: (4-5) 1/4"x4" toggle bolts, (4-5) 1/4" washers, (1) Flat head screwdriver, (1) 1/2" drill bit (or if you hit a stud) ; (5-8) 5/16"x4" lag bolts, (4-5) 5/16" washers, (1) 3/16" drill bit and a 9/16" socket.

CONCRETE, BRICK OR STONE: (1) 1/2" Masonry bit with a 3/8" shank, (4-5) 5/16"x3" masonry anchor bolts, (4) 5/16"x4" bushings, 9/16" sockets. You will also need a roll of weather stripping.

Stucco: (4-5) 1/4"x4" toggle bolts, (4-5) 1/4" washers, (1) flat head screwdriver, (1) 1/2" drill bit (or if you hit a stud): (4) 5/16"x4" lag bolts, (4-5) 5/16" washers, (1) 3/16" drill bit and a 9/16" socket.

PARTS:

Awning Size in Ft.	2	3	4	5	6	7	8	9	10	11	12	13	14	15	16	17	18	19
(TB) Top Bar – C Channel	1	1	1	1	2	2	2	2	2	3	3	3	3	3	3	3	3	3
(FB) Front Bar	2	2	2	2	4	4	4	4	4	6	6	6	6	6	6	6	6	6
(CNC) Cover Support	2	2	2	3	3	3	5	5	5	4	4	7	7	7	7	7	7	7
(CNP) Projection	2	2	2	2	2	2	2	2	2	2	2	2	2	2	2	2	2	2
(CNPA) Projection Assembly	2	2	2	2	2	2	2	2	2	2	2	2	2	2	2	2	2	2
(CNB) Back Bar	2	2	2	2	2	2	2	2	2	2	2	2	2	2	2	2	2	2
(CPS) Projection Support	2	2	2	3	3	3	5	5	5	5	5	5	7	7	7	7	7	7
(CNPM) Projection Bar Assembly	0	0	0	1	1	1	3	3	3	2	2	5	5	5	5	5	5	5

Other parts: Z-Brackets, Self-tapping Screws

All awning sizes over 6' wide come in multiple sections. Example: Size 6' Top Bar (TB) consists of TB1 & TB2 and Front Bar (FB) consist of FB1 & FB2

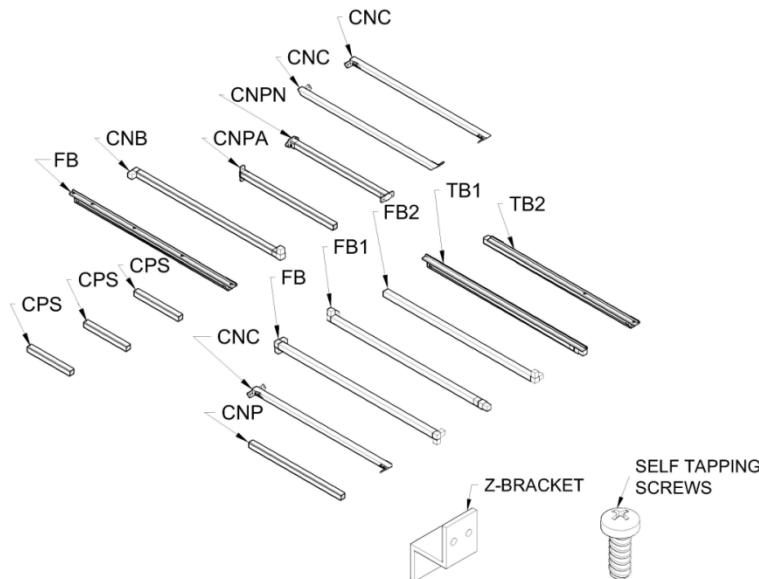
Tools Required: Electrical Drill, 1/4" Nut Driver Bit, Full Socket Set, Full set of Steel and Masonry Bits, Tape Measure, Safety Glasses, 4' Level, A Safe Ladder, #2 Pencil

YOU MAY ALSO NEED AN ASSISTANT FOR LARGER AWNINGS. IT DEPENDS ON THE SIZE AND WEIGHT OF THE AWNING.

NOTE: YOU WILL FIND THAT THE FITTINGS HAVE BEEN PRE-INSTALLED, AS WE HAVE PRE-ASSEMBLED AND INSPECTED IT FOR YOU IN THE FACTORY.

New Yorker should be assembled on the ground

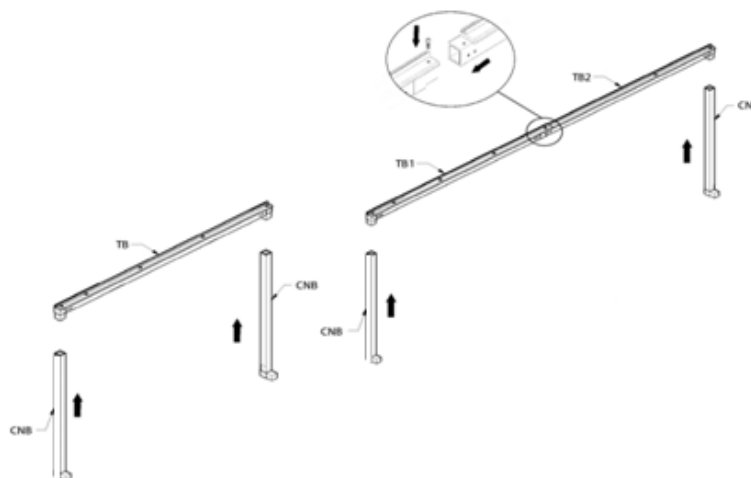
STEP 1: Separate all of the parts, so they will be easy to assemble.



Step 2: Connect Top Bar (TB) to the (2) two back bars (CNB). Make sure the C-Channel is towards the back. The Velcro on the back bars should be facing front. Use a rubber mallet to fully seat the tubing into the fitting. Secure with self-tapping screws.

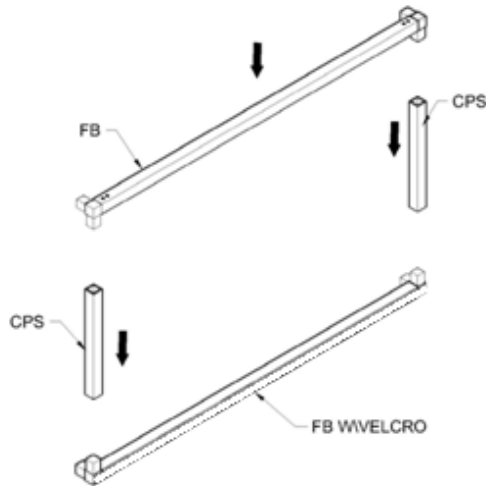
Frame 2'-4'

Frame 5'-24'

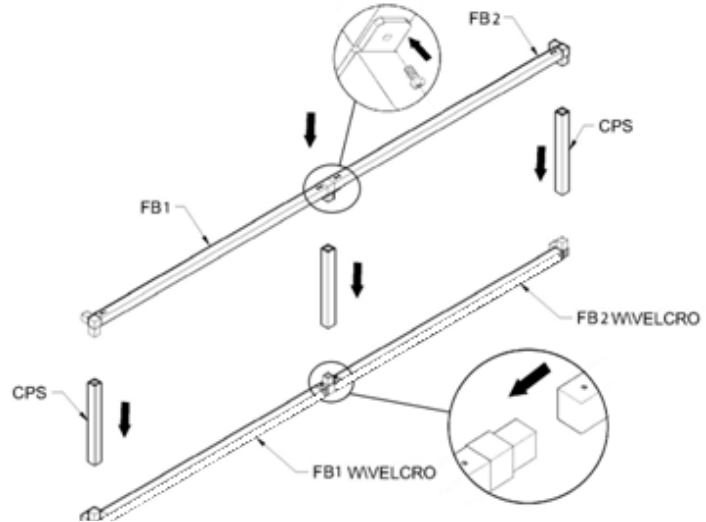


Step 3: Assemble the front structure. The Front Bar (FB) with Velcro, placed on the bottom. The Velcro will face you. Insert Projection supports (CPS) in to the ends. Note: 5' to 20' awnings extra supports are included, they are shorter then (CPS). Place them in inserts. Then place the Front bar on top and secure with Self tapping screws.

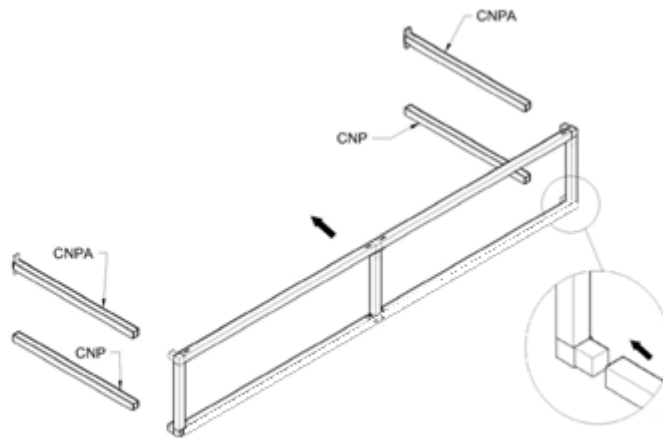
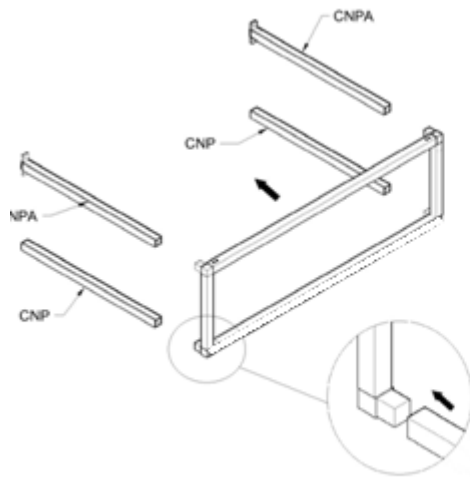
Frame 2'-4'



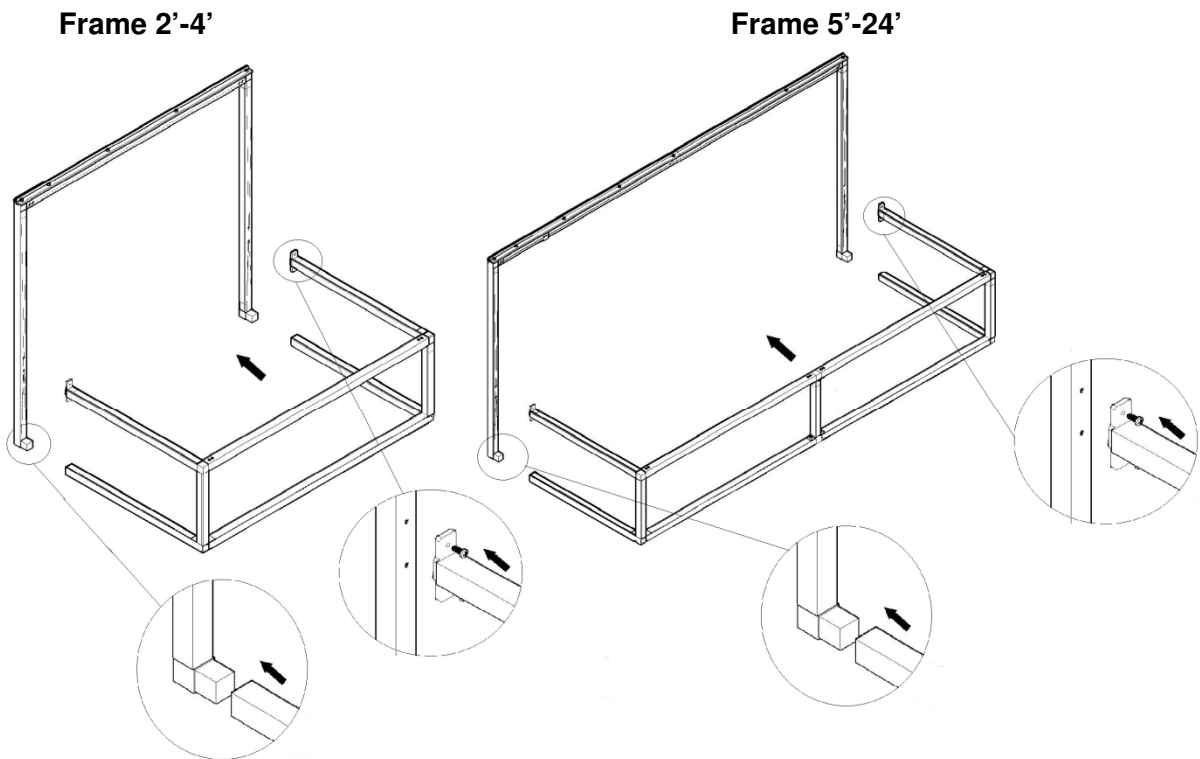
Frame 5'-24'



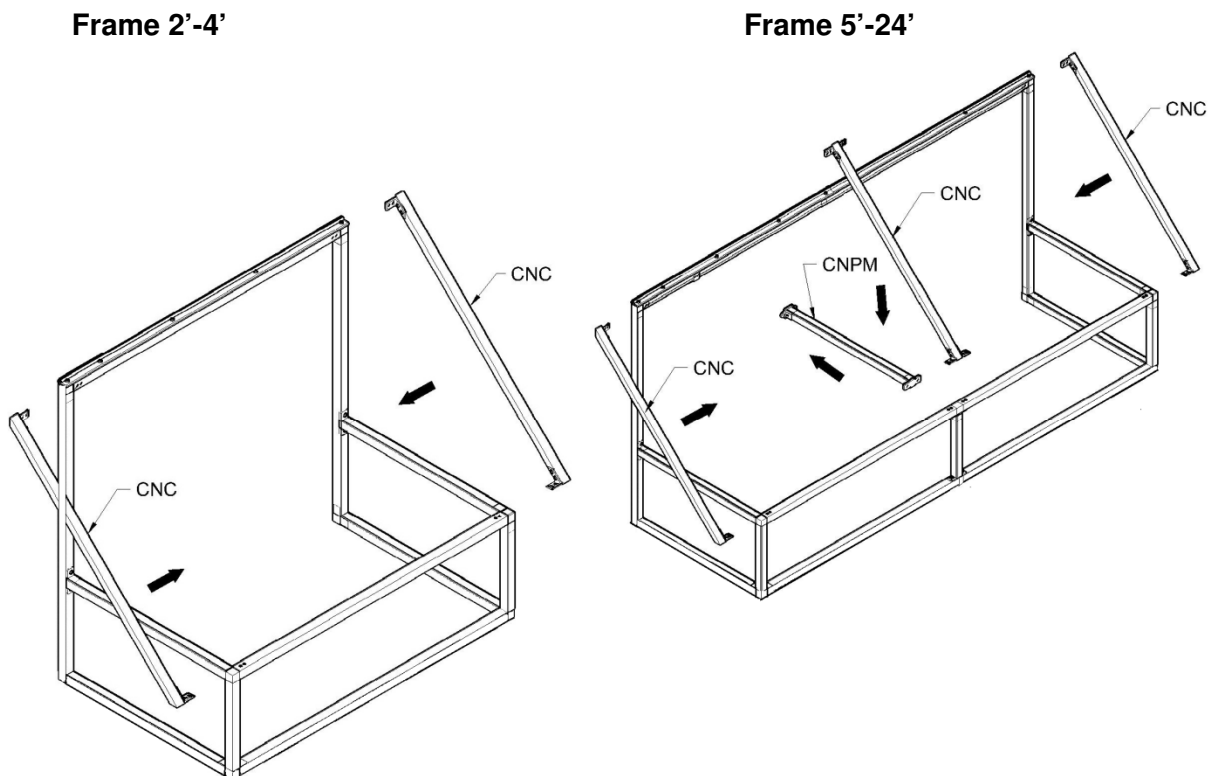
Step 4: Insert the Projection Bars (CNP) in to the bottom slots, and insert the Projection assembly (CNPA) in to the top slots.



Step 5: Connect the Front Bar Assembly on to the Back Bar Assembly.. Secure with Self tapping screws.

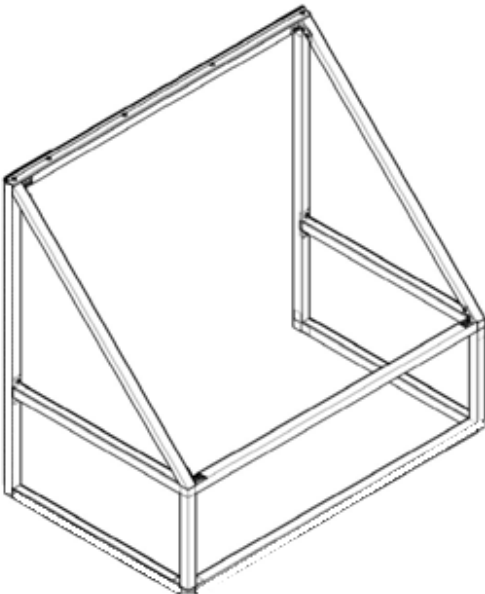


Step 6: Install the Cover Supports (CNC) with arrows pointing upward. Attach both ends to the (TB) and (FB). Larger awnings have add Cover support (CNC) and Wall Support (CNPM). Secure with self-tapping screws.

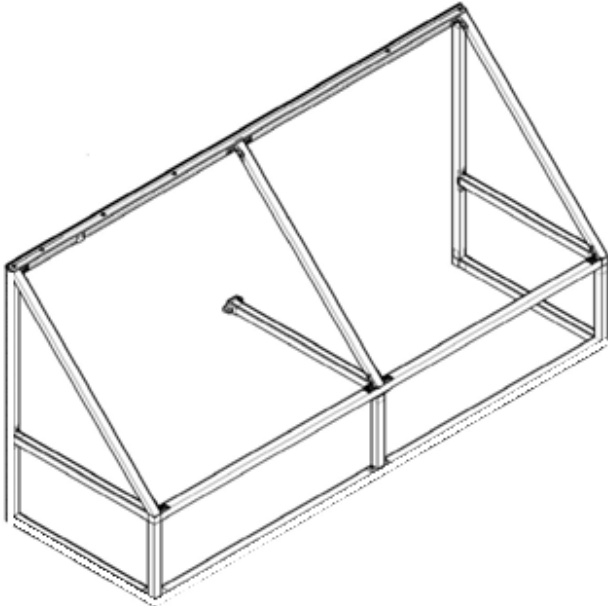


The frame for the New Yorker is complete

Frame 2'-4'

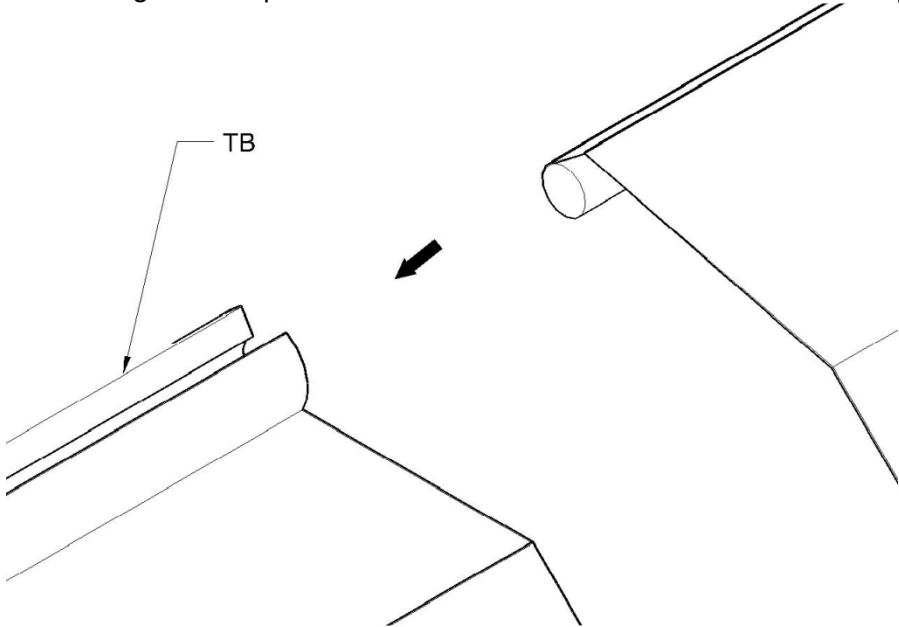


Frame 5'-24'



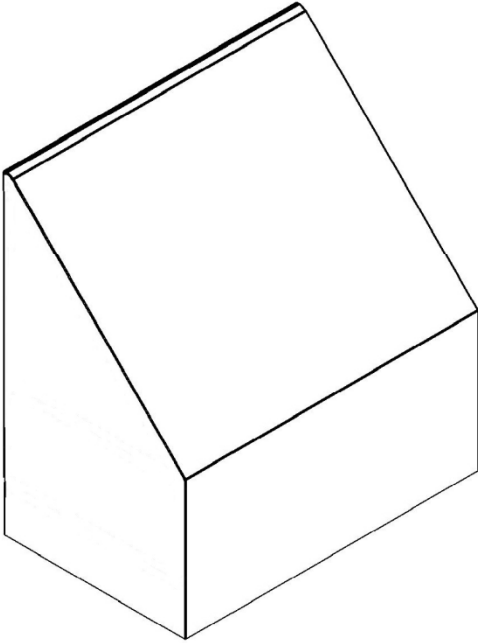
INSTALLING THE COVER

STEP 7: Slide the tubing at the top of the fabric cover into the C-Channel on the top of (TB).

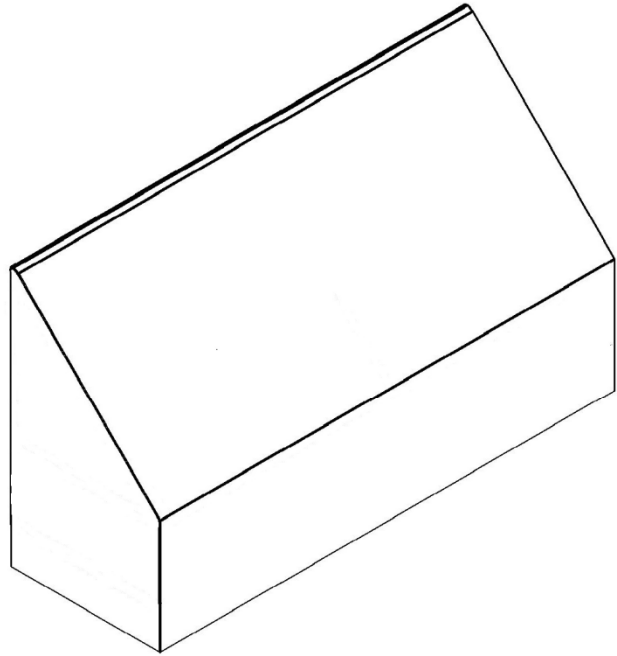


STEP 8: Pull the remainder of fabric over the frame with the valance hanging down below the (NC) and (FB) bars.

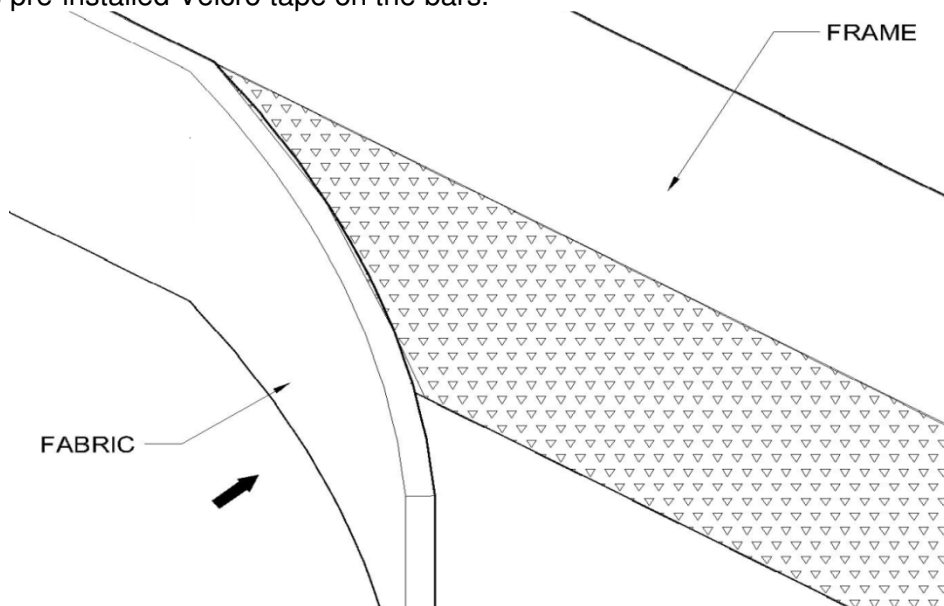
Frame 2'-4'



Frame 5'-24'



STEP 9: Once you are satisfied with the position of the cover, Pull the tabs snugly and attach them to the pre-installed Velcro tape on the bars.



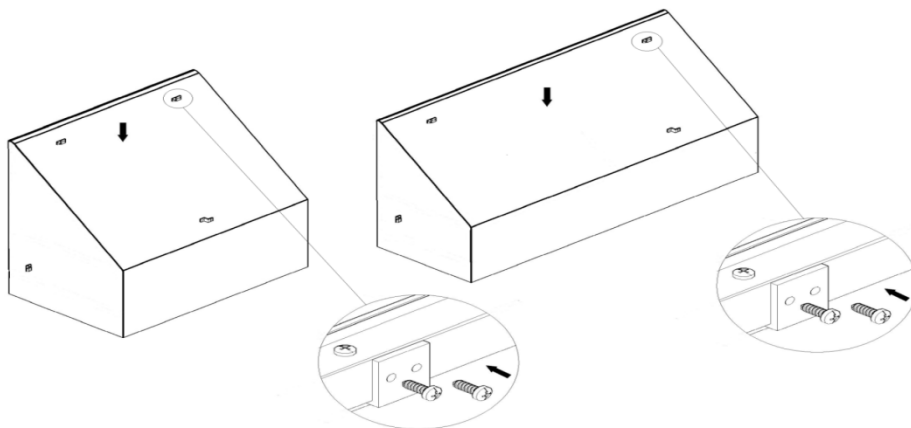
MOUNTING THE AWNING

STEP 10: Place the awning on in desired location. From the inside of the awning make a mark on the wall where the awning touches. (see the chart below for the height measurements)

***all the sizes are in inches

Model	Space between TB and P	Height incl valance	Projection	Model	Space between TB and P	Height incl valance	Projection
RN22	31	31	24	NY1618	22	22	18
CN32	44	44	24	NY1624	22	22	24
CN33	44	44	36	NY1630	22	22	30
CN34	44	44	48	NY1818	24	24	18
CN43	56	56	36	NY1824	24	24	24
CN44	56	50	48	NY1830	24	24	30
EN2442	24	24	42	NY2430	31	24	30
EN12	12	12	24	NY2436	31	31	36
EN1836	18	18	36	NY3024	37	37	24
EN1230	12	12	30	NY3030	37	37	30
EN1030	16	16	30	NY3036	37	37	36
EN23	24	24	36	NY3048	38	38	48
EN24	24	24	48				

Step 11: install the Z-Brackets, temporarily place the awning on the wall to make sure it fits prior to tightening screws.



Step 12: Remove the awning and tighten wall brackets.

Step 13: Install weather Stripping on the awning outside parameter. Place the awning back on the brackets. Drill two holes for self-tapping screws thru the (TP) use Z-Brackets for guide. Secure with self-tapping screws.

CLEANING & CARE

NORMAL WEAR & TEAR:

Certain regions of the country are extremely hard on awnings of any kind. If you live in these areas, (High maintenance areas: FL, TX, NM, AZ, NV or high altitude areas) you probably already know how the sun can take a toll. Normal wear and tear is not covered in our warranty and should be expected. Damages caused by improper anchoring, strong winds, snow or ice are not considered defects. We offer replacement fabric at affordable prices.

CLEANING & CARE:

Awnings should be cleaned at least once a year in low maintenance areas or twice a year in high maintenance areas (see high maintenance areas above). Cleaning consist of brushing off debris with broom, brushing on a non-detergent cleaning compound (such as a solution of 1 part vinegar to 1 part water) allowing it to sit for 20 minutes and rinse. Remember that your awning is an exterior product; You'll need to clean your awning to preserve and extend its beauty and life. Please refer to the cleaning and care chart below if you acquire a stain from one of the ingredients on the list.

CLEANING CHART FOR TYPICAL AWNING STAINS

STAIN	RECOMMENDED CLEANING SOLUTIONS
CHARCOAL	Vacuum, then liquid detergent
CHEWING GUM	Acetone
SODA	Liquid detergent
CAR GREASE	Acetone
IRON RUST	Oxalic or citrus acids, water
MILDEW	1 cup of bleach and ¼ mild soap per gallon of water
OIL	Acetone
PAINT (LATEX) WET	Liquid detergent, water
PAINT (LATEX) DRIED	Paint, oil or grease remover
PAINT (OIL OR LACQUER)	Paint, oil or grease remover
SUNTAN LOTION	Pine Power® or pine oil detergent
TREE SAP	Turpentine, liquid detergent

WARRANTY

5-Year Manufacturer's Limited Warranty

Obtaining necessary permits is the sole responsibility of the purchaser.

Purchaser/customer agrees he/she/company will NOT hold Awntech liable for improper installation, maintenance and repairs.

A. WARRANTY: 5 Year Limited Manufacturer's Warranty (Prorated by the month)

B. WHO GIVES THIS WARRANTY? Awntech Corporation, 10950 S. Pipeline Road, Euless, TX 76040

C. WHO IS ENTITLED TO THIS WARRANTY?

This Warranty applies only to the original purchaser who paid for the product and may not be assigned or transferred to subsequent owners. This Warranty applies only to products purchased and installed in the United States.

D. WHAT ARE THE RESPONSIBILITIES OF AWNTECH UNDER THIS WARRANTY?

Subject to the terms and conditions set forth herein, Awntech Corporation will furnish replacements for parts found by Awntech Corporation to be defective in design, manufacture or assembly, under each specific component or product warranty as set forth below.

E. WHAT ARE THE RESPONSIBILITIES OF THE ORIGINAL PURCHASER UNDER THE WARRANTY?

•Before any claims may be made under this Warranty, the original purchaser must have paid in full for the product covered under the Warranty, according to the terms and conditions of the pay-plan defined in the original order. IF THE PURCHASER HAS FAILED TO MAKE FULL PAYMENT, THIS WARRANTY SHALL BE NULLIFIED AND AWNTECH CORPORATION SHALL BE

RELIEVED FROM ANY RESPONSIBILITY OR LIABILITY UNDER THIS WARRANTY. The purchaser agrees and acknowledges that this Warranty agreement constitutes an executor contract.

•The purchaser must use care in installation, maintenance, operation, use, and storage of the product in accordance with the instructions contained in the owner's manual. ANY FAILURE TO INSTALL, MAINTAIN, OPERATE, USE AND STORE THE PRODUCT IN ACCORDANCE WITH THE INSTRUCTIONS CONTAINED IN THE OWNER'S MANUAL WILL NULLIFY THIS WARRANTY AND RELIEVE AWNTECH CORPORATION FROM ANY RESPONSIBILITY OR LIABILITY UNDER THIS WARRANTY.

•Promptly notify Awntech Corporation of any claims.

•At Awntech's request the purchaser may be required to provide a photographs or videos (if necessary) of any defective parts. The purchaser may also be required to pay a deposit until the defective parts are returned to Awntech Corporation for inspection. The purchaser must obtain a return authorization form from Awntech Corporation's customer service department prior to the return of any merchandise and after having received such authorization, return the part or product, freight prepaid, to Awntech Corporation.

F. WHAT IS COVERED UNDER THIS WARRANTY?

The following components of Awntech Beauty-Mark® models and their accessories (defined as accessories attached to the awning) are covered under this Warranty, subject to the limitations set forth below. These components have a five (5) year limited (prorated) warranty, against manufacturer's defects as outlined below:

(a) Should the purchaser promptly notify Awntech Corporation of such defects within one year (12 months) from the date of the original purchase, the defective component will be replaced at no charge to the purchaser. Awntech reserves the right to ask for the defective part to be returned and/or photos/videos of the defective part. (b) After one year but within five years (60 months) from the date of the original purchase, a defective component will be replaced upon the purchaser's payment of 1/60th of the full retail cost of the component for each month of use prior to the claim.

FIXED AWNINGS – COVERED COMPONENTS

Structural supports - all supporting components are warranted not to fail for five (5) years prorated.

Acrylic fabric - warranted for five (5) years prorated against:

a) Excessive fading under normal conditions if maintained, operated, used, and stored in accordance with the instructions contained in the owner's manual.

b) Mildew on acrylic fabric. Mildew will not form on the fabric itself, but may form on dirt and dust that have not been removed from it. Please see maintenance instructions for proper cleaning—outlined in owner's manual.

G. WHAT IS NOT COVERED UNDER THIS WARRANTY?

•Any failure or damage of the components that results from any intentional or negligent actions by the purchaser or by any other person is not covered by this Warranty.

•It is the responsibility of the purchaser to securely fasten the awning to studs, joists, headers or other structural members. Any failure or damage that results from the awning falling from its installed position is not covered by this Warranty.

•Labor charges connected with installation of replacement parts are not covered by this Warranty.

•Freight expenses to and from Awntech Corporation are not covered by this Warranty and must be paid by the purchaser.

•Stretching of fabric or damage to any structural component caused by wind or water pooling on the fabric or any other weather is not covered by this Warranty, except for the limited warranty of the acrylic fabric as specifically set forth herein.

H. GENERAL PROVISIONS AND LIMITATIONS

•The warranty granted herein is the exclusive remedy for the purchaser. Awntech Corporation makes no other warranties to the purchaser, express, statutory, implied or otherwise and all implied warranties, including without limitations, implied warranties of merchantability and fitness for a particular purpose, are hereby disclaimed.

•To the extent permitted by law, Awntech Corporation shall have no liability to the purchaser or any other person for incidental, special, consequential, indirect or similar damages of any kind or nature whatsoever, whether arising out of breach of warranty or other breach of contract, negligence or other tort, or otherwise, even if Awntech Corporation shall have been advised of the possibility or likelihood of such potential loss or damage. In no event shall Awntech Corporation be liable for loss of profits and/or wages.

•Some states do not allow limitations on how long an implied warranty lasts, or do not allow the exclusion or limitation of incidental or consequential damages, so the above limitations may not apply to you.

•This warranty gives you specific rights, and you may have other rights, which vary from state to state.

Awntech Corporation, 10950 S. Pipeline Rd., Bldg. 1, Euless, TX 76040 / Ph 817-354-9600; Fax 817-354-9612 /

Warranty@awntech.com

RETURNS & DAMAGES

RETURN QUALIFICATION: You can only return a product if it is defective upon arrival. If you simply do not like the product or if you did not measure correctly, you will only be qualified for a merchandise credit and you will be required to pay for shipping the product back to Awntech in re-stockable condition. There will be a 25% restock fee applicable.

SIZES 10' and LARGER or CUSTOM AWNINGS: Any awnings 10' or larger or customized at Purchaser's request are considered as non-returnable for either refund or exchange.

DAMAGED MATERIAL: Damage occasionally occurs during shipping. Scrapes dents and rips in the outer packaging that could indicate possible damage should be described to the carrier at the time of delivery. If damage to the product seems apparent, the shipment should be refused.

FABRIC DYE-LOT AND LIGHTING VARIATION: Fabric dyes may carry slightly from run to run. This is a normal and unavoidable. Different lighting types and lighting direction may cause the fabric you choose on the website to appear slightly different than the actual fabric does in full sunlight.

RETURNS/ORDER EXCEPTIONS: Phone :817-354-9600, Fax 817-354-9612, E-mail customers@awntech.com TO ACQUIRE A RETURN OR REPAIR AUTHORIZATION NUMBER YOU MUST GO THROUGH THE WARRANTY PROCESS: E-mail Photos of damaged parts to: customers@awntech.com or mail to: Awntech Corporation, 10950 S. Pipeline Rd., Bldg 1, Euless, TX 76040

Authorized returns should be shipped to:

Returns Department: Awntech Corporation, 10950 S. Pipeline Rd., Bldg 1, Euless, TX 76040