



# INSTRUCTIONS FOR FULL CASSETTE AWNING

**PLEASE READ THE OPERATOR'S INSTRUCTION BEFORE THE USE OF THIS PRODUCT**



**PLEASE KEEP INSTRUCTIONS FOR FUTURE REFERENCE.**

## **WARNING**

We recommend at least 2 people work together to install this awning. When installing the brackets, please use a ladder. Because of various installation applications such as wall, soffit & roof and different surfaces such as brick, stucco, concrete, wood, siding we do not supply installation anchors. Please make sure the fasteners you purchase are stainless steel as they provide exceptional strength. For examples of installation methods, please review the manual that is specific to your purchase.

## **WARNING**

### **DO NOT**

1. **DO NOT** use the awning during heavy rain, storms or frosty conditions.
2. **DO NOT** extend the awning when wind is above the Beaufort Scale 5 (above 25 miles per hour). Otherwise, the awning will be damaged and can cause risk to persons near the awning.
3. **DO NOT** use a grill or outdoor fireplace under the awning
4. **DO NOT** put any heavy objects on the fabric body.
5. **DO NOT** extend or retract the awning when maintenance, such as window or wall cleaning, is being carried out in the vicinity.
6. **DO NOT** install while children are present.

### **DO**

1. **DO** strap both parts of the arm, or extend the awning fully until the internal springs are completely free of tension before you assemble, adjust or clean the jointed arm.
2. **DO** install the awning **8 feet** or more from the floor or ground.
3. **DO** install this awning with at least two adults.
4. **DO** make sure there is enough space for awning extension before installation.
5. **DO** keep the awning and valance away from fire and inflammable objects.
6. **DO** Check the awning nuts & bolts several times a year to make sure all bolts and nuts are tightened. Materials shrink and expand with heat and cold fluctuations and can, therefore, loosen. Should you find any loose bolts, tighten them up immediately. Do not use until the awning is repaired or parts are replaced if you find any damaged or missing parts.

## **CARE AND MAINTENANCE**

### **FRAME**

**Cleaning:** Use a mild detergent and warm water on the frames; do not use abrasive materials, cleansers, chemicals, bleach or solvents on frames. Rinse with clean water. Dry thoroughly.

**Maintenance:** Frame finishes may be maintained by applying a quality auto wax after each cleaning. Keep wax away from fabric canopy. For best results, always cover awning when not in use. We recommend our weather cover. Always clean and dry frames thoroughly before covering.

### **FABRIC CANOPY**

**Cleaning:** You may use a mild soap and a damp cloth to clean your awning fabric. Gently brushing off the dirt with a clean broom is sufficient in most cases. Do not use abrasive materials, cleansers, chemicals, bleach or solvents on the fabric canopy. Use a hose to rinse with clean water when finished. Extend to dry thoroughly

**Maintenance:** Dry the fabric cover in the extended position as soon as possible. The best way to maintain the look of your awning is to use a weather cover when not in use.

### **PACKAGING**

This awning is fully assembled within a secure master carton which consists of: U-Board carton with wooden ends. If carton is broken or damaged, check contents before signing the carrier release form. Identify all parts against the parts list within the shipping packet. Do not attempt installation if any parts are missing or damaged.

### **STORAGE**

This awning should be kept away from fire and flammable objects and should be stored in a dry place. To dry the awning fabric, extend the awning to it's maximum extension while winds are less than 25 miles per hour and there is no rain.

### **Parts**

#### **Wall Brackets**

**2 Brackets for 8', 10' wide**

**3 Brackets for 12', 14' wide**

**4 Brackets for 16' wide**

**5 Brackets for 18', 20' wide**

**6 Brackets for 24' wide**

**Rocker Arm**

**Product Manual**

**Remote Control for the Motorized Awning**

# Installation of awning

The installation should be carried out by professional!

**Warning!**

Incomplete fasteners will weaken the product strength and cause potential danger.

1. Identify all parts packed in carton against the parts list. Remove all protective packing material. Place parts on non-abrasive surface to avoid scratches. Do not attempt installation if any parts are missing or damaged.

2. Mark the appropriate place for your awning (ideal height: 8' from the floor or ground; not less than 79"). Center the area over the focal point (doors/windows etc.).

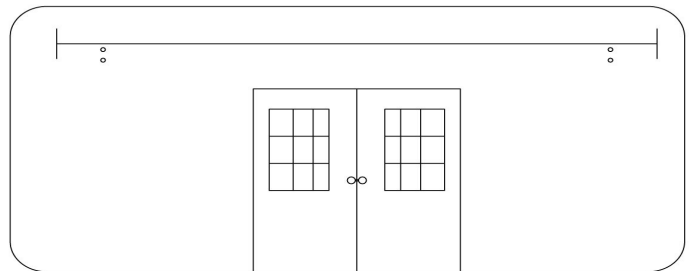
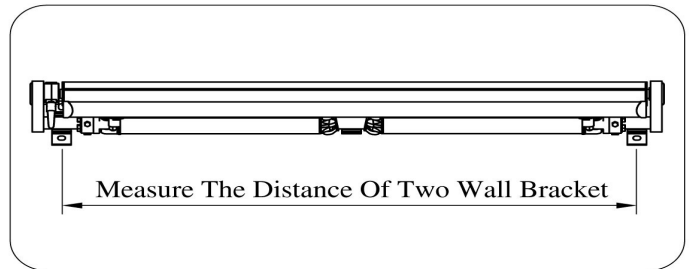
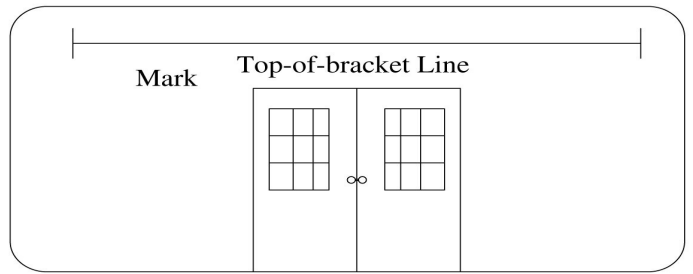
3. Start from the mid point where you want your awning to be place. Make a removable vertical mark with chalk. Measure the distance of the two outer wall brackets.

Use a chalk line to draw a line from end to end. This should be where the top of the brackets will be placed and should be level. Note: This line may not be parallel with other structural lines, such as siding, etc.

4. The location of the brackets is fixed on the awning. It can not be moved or altered. Measure the distance between the brackets on the awning and install the brackets at the same distance. The brackets must be attached to the wall vertically.

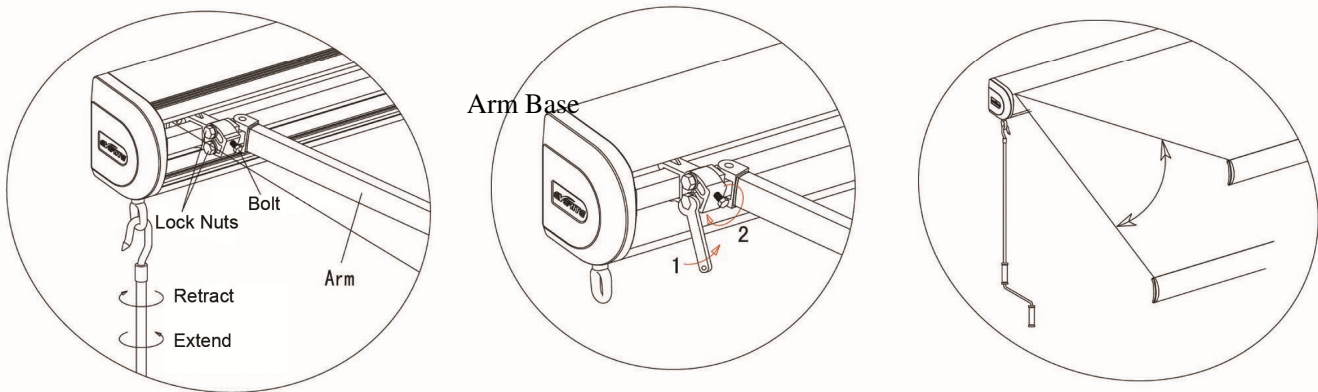
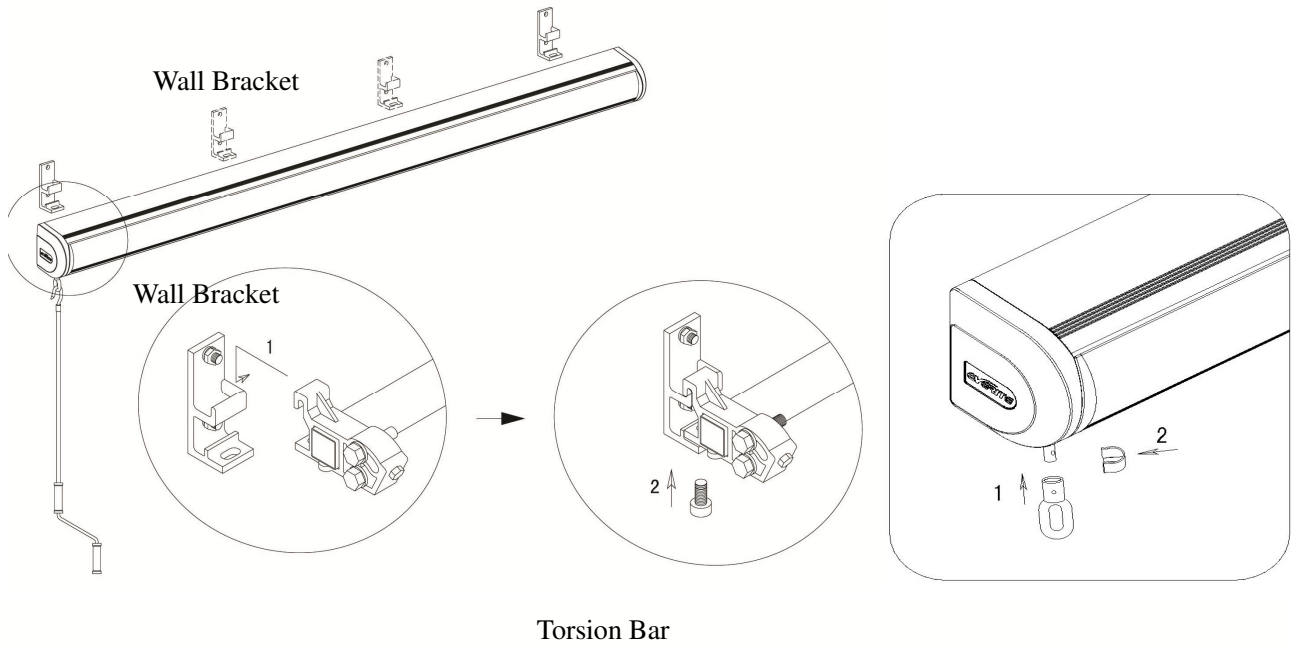
5. Installation varies according to the wall type. Use the mortar or masonry anchors for concrete or brick wall. If the wall type is wood or siding then use the lag screws/bolts. If there are no wall studs available at the location of the wall brackets then we recommend you installing a runner/6" x 2" (equal to the width of the awning) lumber first and then install the wall brackets on the runner.

6. The installation instructions are generic and please seek an advise from a hardware/construction professional before you installing the awning.



## Hanging the Awning

At least 2 adults are needed to hang the awning in the wall brackets. With help, lift awning to the brackets on the wall and slip the torsion bar into the brackets as shown in the following figure. If torsion bar can not be easily slipped into the bracket, lift the front profile slightly. If it still does not fit, loosen nuts (7) on the bracket to align the torsion bar with bracket. Finally, tighten all bolts securely.



## OPERATION INSTRUCTIONS

1. Turn the hand hook to retract or extend the awning as your requirement.

**Warning:** Stop retracting the curtain with excessive forces if already fully retracted. The wrong operation may cause damage to the awning.

2. Loosen the lock nuts. Then, turn the jack bolt to adjust pitch from 12° to 45°.

3. Adjust the arm until the front profile is horizontally level.

4. Tighten the lock nuts.

# 5 YEAR LIMITED WARRANTY

**A. WHO GIVES THIS WARRANTY?** Awntech Corporation

**B. WHO IS ENTITLED TO THIS WARRANTY?** This Warranty applies only to the original purchaser who paid for the product and may not be assigned or transferred to subsequent owners. This Warranty applies only to products purchased and installed in the US.

**C. WHAT ARE THE RESPONSIBILITIES OF AWNTECH CORPORATION UNDER THIS WARRANTY?** Subject to the terms and conditions set forth herein, Awntech Corporation will furnish replacements for parts found by Awntech Corporation to be defective in design, manufacture or assembly, under each specific component or product warranty as set forth below.

**D. WHAT ARE THE RESPONSIBILITIES OF THE ORIGINAL PURCHASER UNDER THE WARRANTY?**

1. Before any claims may be made under this Warranty, the original purchaser must have paid in full for the product covered under the Warranty, according to the terms and conditions of the pay-plan defined in the original order. IF THE PURCHASER HAS FAILED TO MAKE FULL PAYMENT, THIS WARRANTY SHALL BE NULLIFIED AND AWNTECH CORPORATION SHALL BE RELIEVED FROM ANY RESPONSIBILITY OR LIABILITY UNDER THIS WARRANTY. The purchaser agrees and acknowledges that this Warranty agreement constitutes an executor contract.
2. The purchaser must use care in installation, maintenance, operation, use, and storage of the product in accordance with the instructions contained in the owner's manual. ANY FAILURE TO INSTALL, MAINTAIN, OPERATE, USE AND STORE THE PRODUCT IN ACCORDANCE WITH THE INSTRUCTIONS CONTAINED IN THE OWNER'S MANUAL WILL NULLIFY THIS WARRANTY AND RELIEVE AWNTECH CORPORATION FROM ANY RESPONSIBILITY OR LIABILITY UNDER THIS WARRANTY.
3. Promptly notify Awntech Corporation of any claims.
4. The purchaser may be required to provide a photograph of any defective parts. The purchaser may also be required to pay a deposit until the defective parts are returned to Awntech Corporation for inspection. The purchaser must obtain a return authorization form from Awntech Corporation's customer service department prior to the return of any merchandise and after having received such authorization, return the part or product, freight prepaid, to Awntech Corporation.

**E. WHAT IS COVERED UNDER THIS WARRANTY?**

**1. The following components of Awntech Beauty-Mark® models and their accessories (defined as accessories attached to the awning) are covered under this Warranty, subject to the limitations set forth below. These components have a five) years prorated warranty, against manufacturer's defects.**

**(a) Should the purchaser promptly notify Awntech Corporation of such defects within one year from the date of the original purchase, the defective component will be replaced at no charge. Awntech reserves the right to ask for the defective part to be returned and/or photos of the defective part.**

**COVERED COMPONENTS:** for Retractable Awnings

**ELECTRICAL AND ELECTRONIC COMPONENTS:** limited manufacturer's warranty one year from the purchase date and for manufacturing defects only

**STRUCTURAL SUPPORTS**, all supporting components (excluding Lateral Arms and their fittings) are warranted not to fail for five years provided that the components are not subjected to excessive winds or water pooling on the fabric.

**FRONT ROLLER BAR** is warranted against any and all damage including cracking and permanent bowing that would affect the performance of the awning provided that the awning is not subjected to excessive winds or water pooling on the fabric.

**ACRYLIC and ACRYLIC FABRIC** is warranted for five years prorated against

(a) Excessive fading under normal conditions if maintained, operated, used, and stored in accordance with the instructions contained in the owner's manual.

(b) Mildew on acrylic fabric. Mildew will not form on the fabric itself, but may form on dirt and dust that have not been removed from it. Please see maintenance instructions for proper cleaning—outlined in owner's manual.

(c) Excessive cracking or peeling under normal conditions if maintained, operated, used, and stored in accordance with the instructions contained in the owner's manual, and provided that the awning is not subjected to excessive winds or water pooling on the fabric.

**Drive Unit (Gear, Square and Round Toe)** is warranted for five years not to fail under normal conditions if maintained operated, used, and stored in accordance with the instructions contained in the owner's manual.

**AWNING ACCESSORIES** (defined as accessories attached to the awning) are warranted for five years not to fail under normal conditions if maintained operated, used, and stored in accordance with the instructions contained in the owner's manual.

## **RETURNS, DAMAGES**

**RETURN QUALIFICATION:** You can only return a product if it is defective upon arrival. If you simply do not like it for any other reason, you will be given merchandise credit only.

**DAMAGED MATERIAL:** Damage occasionally occurs during shipping. Scrapes, dents, and rips in the outer packaging that could indicate possible damage should be described to the carrier at the time of delivery. If damage to the product seems apparent, the shipment should be refused.

**FABRIC DYE-LOT AND LIGHTING VARIATION:** Fabric dyes may vary slightly from run to run. This is a normal and unavoidable. Different lighting types and lighting direction may cause the fabric you chose on the website to appear slightly different than the actual fabric does in full sunlight.

**TRIPLE CHECK YOUR MEASUREMENTS:** To avoid disappointment and frustration, please triple check all measurements to assure that your awning will fit properly in the location you intend. Please make sure that you have at least 1'-2' extra wide area available to install the awning and also make sure that you have enough open space for the projection.

**HAZARDOUS MATERIAL QUALIFICATIONS:** None

**RETURNS/ORDER EXCEPTION CONTACT:**

Customer Service: Phone 817-354-9600, Fax 817-354-9612, email [customers@awntech.com](mailto:customers@awntech.com)

TO ACQUIRE A RETURN OR REPAIR AUTHORIZATION NUMBER, YOU MUST GO THROUGH OUR WARRANTY PROCESS BELOW:

Email or mail a photo of the damaged parts to:

EMAIL: [customers@awntech.com](mailto:customers@awntech.com)

MAIL: Customer Support, Awntech Corporation, 10950 S. Pipeline Rd., Bldg. 1, Euless, TX 76040

Authorized returns should be shipped to:

Awntech Corporation

10950 S. Pipeline Road, Buildings 1-2

Euless, TX 76040 (817-354-9600)