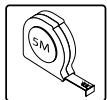
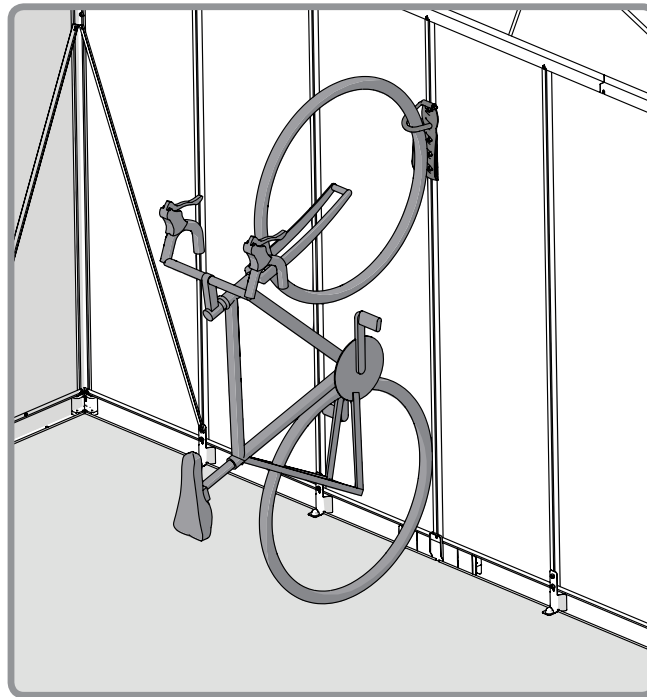


# Vertical Bicycle Hanger

Approx. Dim.

25.5L x 4W x 7H cm / 10"L x 1.6"W x 2.8"H





## AFTER SALE SERVICE

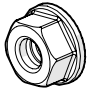
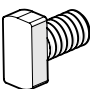
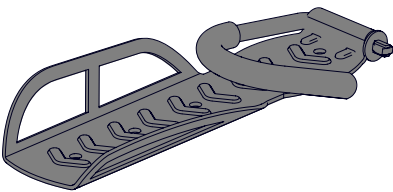


[palramapplications.com/after-sales-service](https://palramapplications.com/after-sales-service)

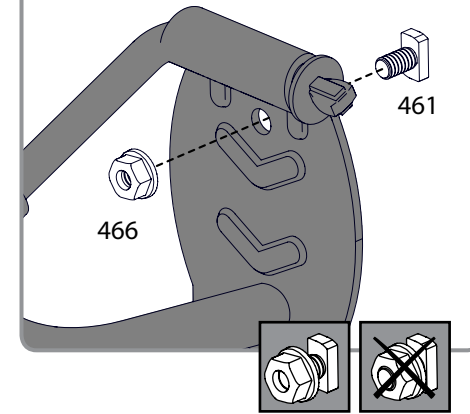
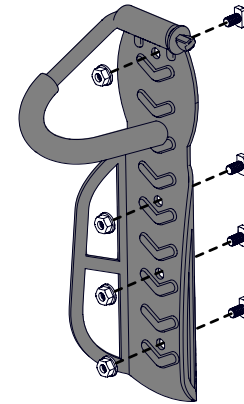
LOCATIONS		
USA	<a href="mailto:customer.service@palram.com">customer.service@palram.com</a>	877-627-8476
England	<a href="mailto:customer.serviceUK@palram.com">customer.serviceUK@palram.com</a>	01302-380775
France	<a href="mailto:customer.serviceFR@palram.com">customer.serviceFR@palram.com</a>	0169-791-094
Germany	<a href="mailto:customer.serviceDE@palram.com">customer.serviceDE@palram.com</a>	0180-522-8778
International	<a href="mailto:customer.service@palram.com">customer.service@palram.com</a>	+972 4-848-6816

[www.palramapplications.com](https://www.palramapplications.com)

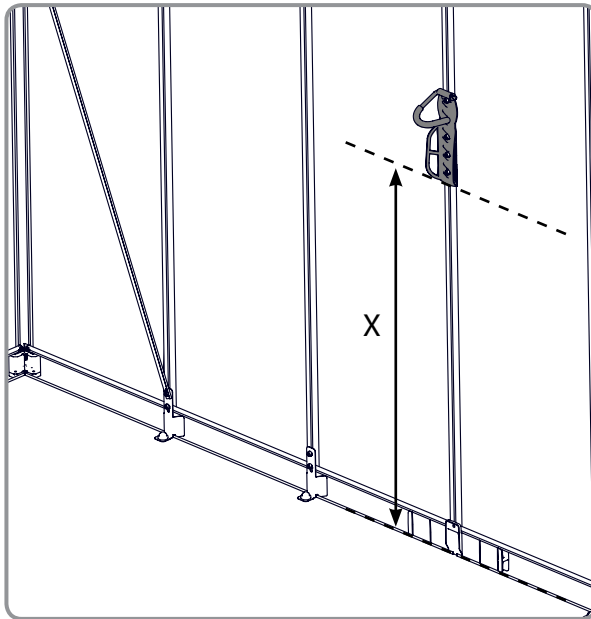
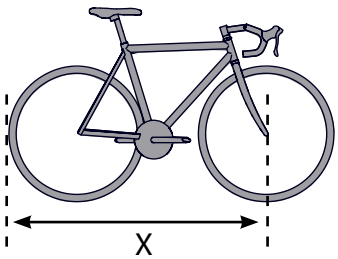
## Contents

Item		Qty.
466		4
461		4
		1

1



2



3

